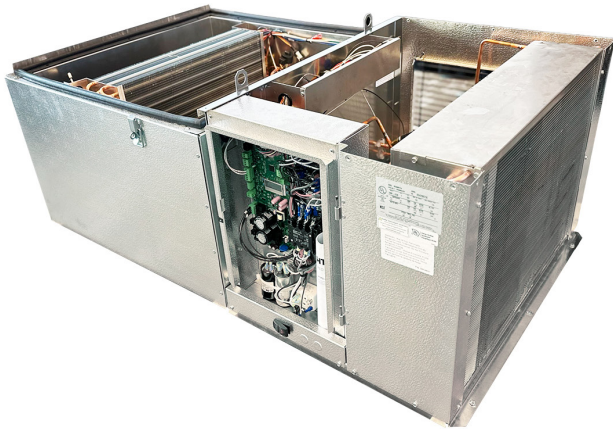




A2L
PACKAGED REFRIGERATION
SYSTEM



Walk-Ins: Small to Medium
Cooler and Freezer Applications

Medium Temperature
5,620 to 14,130 BTUH

Low Temperature
4,170 to 13,600 BTUH



FEATURES

The Packaged Refrigeration System's innovative design is a DOE AWEF rated self-contained system that comes in two sizes to satisfy low and medium temperature refrigeration needs - ideal for holding applications. We strive to incorporate sustainable solutions along with options and functionality that satisfy regulatory compliance. The PRS is EcoNet Enabled with Electronic Expansion Valve and can be operated with an optional Command Center from anywhere.

SIZES

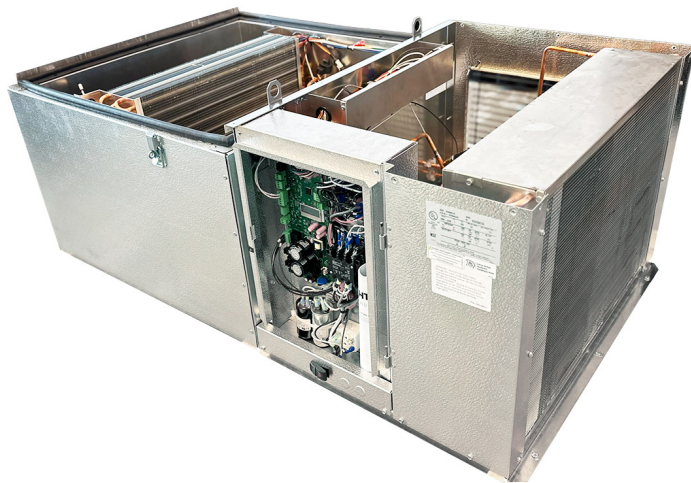
Available in 8 scroll compressor models.

HIGHLIGHTS

- EcoNet Enabled to maximize energy efficiency with less compressor runtime
- EcoNet optimizes defrost by using adaptive defrost or managing compressor runtime
- EcoNet improves product quality by reducing temperature fluctuation
- Available outdoor options include a Roof Kit and Hail Guard
- Factory pre-charged with R-454C
- One electrical wiring point with the ability to add a plug on select models
- Standard boil-out pan with an option to mount a drain line
- Lift-off panels & large electrical box

BTUH

- Medium Temperature
(5,620 to 14,130 BTUH)
- Low Temperature
(4,170 to 13,600 BTUH)



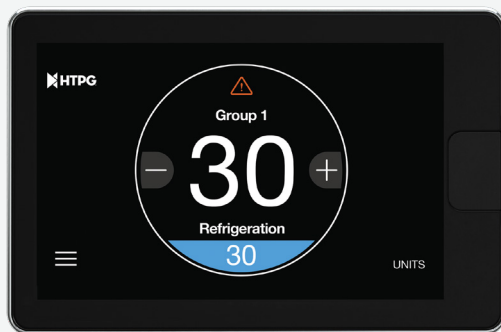
MODEL NOMENCLATURE

CONFIGURABLE BASE MODEL								PRE-CONFIG. CODES
H	P	O	150	M	4C	D	A	LD
Brand	Product	Compressor	Horsepower	Temperature	Refrigerant	Voltage	Vintage	Pre-Assembly Code
H = HTPG	Packaged Refrigeration System	O = Scroll	150 = 1.5 HP	M = Medium L = Low D = Medium Electric Defrost	4C = R454C	A = 115/1/60 D = 208-230/1/60	A	LD = Leak Mitigation Package

OPTIONAL ECONET® COMMAND CENTER

Using Rheem's SMART technology, the EcoNet Command Center can program, monitor, and troubleshoot equipment outside of the space being cooled. The Packaged Refrigeration System is already assembled with the EcoNet Control Board which analyzes and optimizes defrost cycles to provide a consistent temperature and extend the life of the unit.

By adding the optional Command Center, a Technician or Building Manager never has to step foot into the freezer in order to change the temperature or maintain the equipment. Control up to 32 devices (including the Command Center) on one touchscreen.



EcoNet® Command



Control Board

DEFROST CAPACITIES

MEDIUM TEMPERATURE // AIR DEFROST

Model No.	Ambient Temperature									
	80°		90°		95°		100°		110°	
	Box Temperature									
	35°F	38°F	35°F	38°F	35°F	38°F	35°F	38°F	35°F	38°F
HPO080M4C*ALD	6,890	7,240	6,480	6,820	6,270	6,600	6,050	6,370	5,620	5,920
HPO100M4C*ALD	8,990	9,430	8,450	8,870	8,180	8,590	7,910	8,300	7,350	7,720
HPO120M4C*ALD	10,930	11,480	10,250	10,790	9,930	10,440	9,600	10,090	8,890	9,370
HPO150M4CDALD	13,490	14,130	12,660	13,280	12,240	12,840	11,820	12,410	10,980	11,560

MEDIUM TEMPERATURE // ELECTRIC DEFROST

Model No.	Ambient Temperature									
	80°		90°		95°		100°		110°	
	Box Temperature									
	35°F	38°F	35°F	38°F	35°F	38°F	35°F	38°F	35°F	38°F
HPO080D4CDALD	6,890	7,240	6,480	6,820	6,270	6,600	6,050	6,370	5,620	5,920
HPO100D4CDALD	8,990	9,430	8,450	8,870	8,180	8,590	7,910	8,300	7,350	7,720
HPO120D4CDALD	10,930	11,480	10,250	10,790	9,930	10,440	9,600	10,090	8,890	9,370
HPO150D4CDALD	13,490	14,130	12,660	13,280	12,240	12,840	11,820	12,410	10,980	11,560

DEFROST CAPACITIES

LOW TEMPERATURE // ELECTRIC DEFROST

Model No.	Ambient Temperature								
	80°			90°			95°		
	Box Temperature								
	0°F	-10°F	-20°F	0°F	-10°F	-20°F	0°F	-10°F	-20°F
HPO150L4CDALD	6,370	6,100	5,080	5,750	5,570	4,700	5,460	5,330	4,540
HPO250L4CDALD	9,400	8,790	7,220	8,490	8,090	6,750	8,100	7,760	6,530
HPO300L4CDALD	11,650	9,550	7,910	10,870	8,830	7,380	10,500	8,660	7,120
HPO350L4CDALD	13,600	11,330	8,910	12,810	10,640	8,230	12,390	10,340	7,900

Model No.	Ambient Temperature					
	100°			110°		
	Box Temperature					
	0°F	-10°F	-20°F	0°F	-10°F	-20°F
HPO150L4CDALD	5,240	5,060	4,400	4,790	4,690	4,170
HPO250L4CDALD	7,760	7,480	6,390	7,190	6,980	6,070
HPO300L4CDALD	10,140	8,130	6,840	9,300	7,390	6,290
HPO350L4CDALD	11,920	9,950	7,560	11,090	8,880	6,880

ELECTRICAL DATA

MEDIUM TEMPERATURE // AIR DEFROST

Model No.	Voltage	MCA	MOPD	Unit Amps	*U.C. CFM	NEMA Receptacle
HPO080M4CAALD	115/1/60	18.4	30	15.1	600	5-20R
HPO100M4CAALD	115/1/60	20.0	30	16.4	600	-
HPO120M4CAALD	115/1/60	21.7	35	18.1	1200	-
HPO080M4CDALD	208-230/1/60	15.0	15	7.4	600	6-15R
HPO100M4CDALD	208-230/1/60	15.0	15	7.6	600	6-15R
HPO120M4CDALD	208-230/1/60	15.0	15	10.2	1200	6-15R
HPO150M4CDALD	208-230/1/60	17.2	25	14.3	1200	6-20R

MEDIUM TEMPERATURE // ELECTRIC DEFROST

Model No.	Voltage	MCA	MOPD	Unit Amps	*U.C. CFM	NEMA Receptacle
HPO080D4CDALD	208-230/1/60	15.0	15	7.4	600	6-15R
HPO100D4CDALD	208-230/1/60	15.0	15	7.6	600	6-15R
HPO120D4CDALD	208-230/1/60	15.0	15	10.2	1200	6-15R
HPO150D4CDALD	208-230/1/60	17.2	25	14.3	1200	6-20R

LOW TEMPERATURE // ELECTRIC DEFROST

Model No.	Voltage	MCA	MOPD	Unit Amps	*U.C. CFM	NEMA Receptacle
HPO150L4CDALD	208-230/1/60	15.0	15	9.8	600	6-15R
HPO250L4CDALD	208-230/1/60	17.5	25	14.4	600	6-20R
HPO300L4CDALD	208-230/1/60	19.0	30	15.8	1200	-
HPO350L4CDALD	208-230/1/60	23.4	35	19.3	1200	-

*U.C. CFM = Unit Cooler Cubic Feet Per Minute

SIZE & WEIGHT

MEDIUM TEMPERATURE // AIR DEFROST

Model No.	Cabinet Size	Approx. Weight - LB	Approx. Weight - KG	Approx. Ship Weight - LB	Approx. Ship Weight - KG
HPO080M4CAALD	Small	206	93.4	286	129.7
HPO100M4CAALD	Small	206	93.4	286	129.7
HPO120M4CAALD	Large	235	103.3	313	142
HPO080M4CDALD	Small	206	93.4	286	129.7
HPO100M4CDALD	Small	206	93.4	286	129.7
HPO120M4CDALD	Large	235	103.3	313	142
HPO150M4CDALD	Large	235	103.3	313	142

MEDIUM TEMPERATURE // ELECTRIC DEFROST

Model No.	Cabinet Size	Approx. Weight - LB	Approx. Weight - KG	Approx. Ship Weight - LB	Approx. Ship Weight - KG
HPO080D4CDALD	Small	206	93.4	286	129.7
HPO100D4CDALD	Small	206	93.4	286	129.7
HPO120D4CDALD	Large	235	103.3	313	142
HPO150D4CDALD	Large	235	103.3	313	142

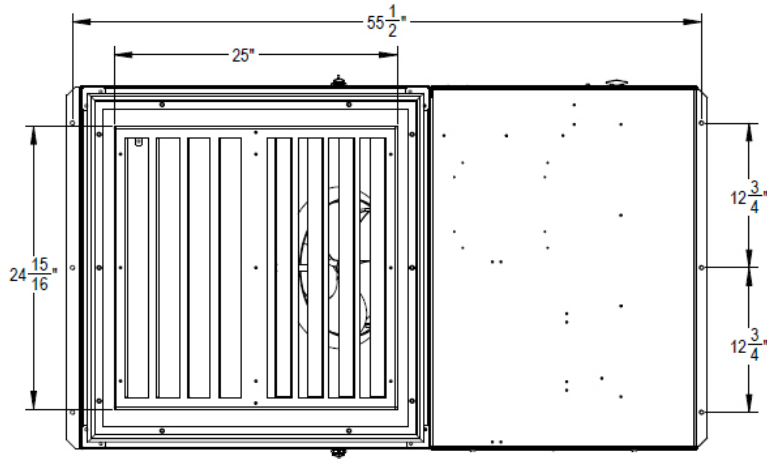
LOW TEMPERATURE // ELECTRIC DEFROST

Model No.	Cabinet Size	Approx. Weight - LB	Approx. Weight - KG	Approx. Ship Weight - LB	Approx. Ship Weight - KG
HPO150L4CDALD	Small	206	93.4	286	129.7
HPO250L4CDALD	Small	206	93.4	286	129.7
HPO300L4CDALD	Large	235	103.3	313	142
HPO350L4CDALD	Large	235	103.3	313	142

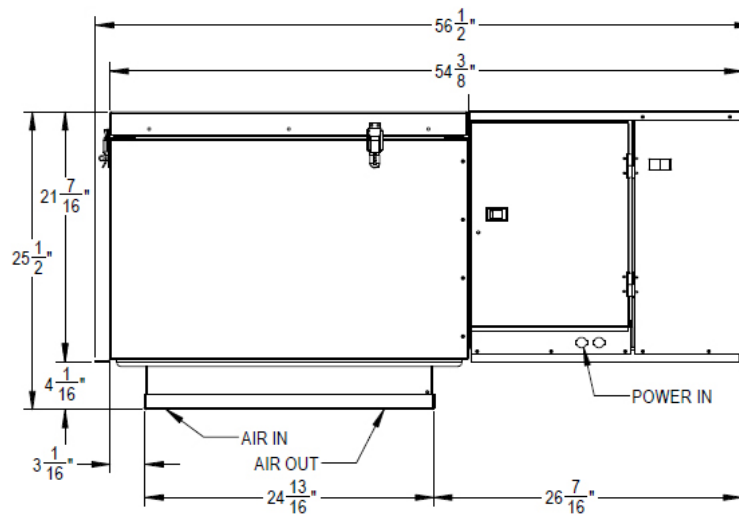
PHYSICAL DIMENSIONS

Figure 1 - Small Cabinet

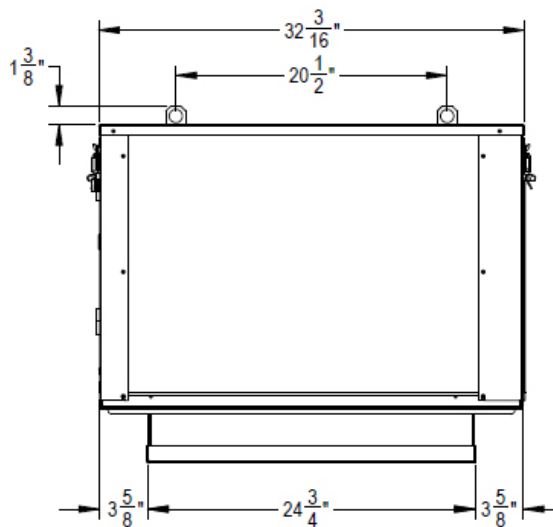
Bottom View



Side View



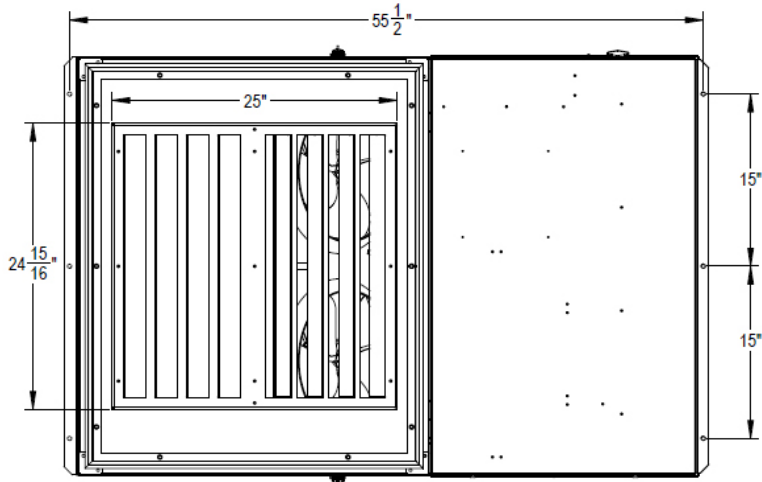
End View



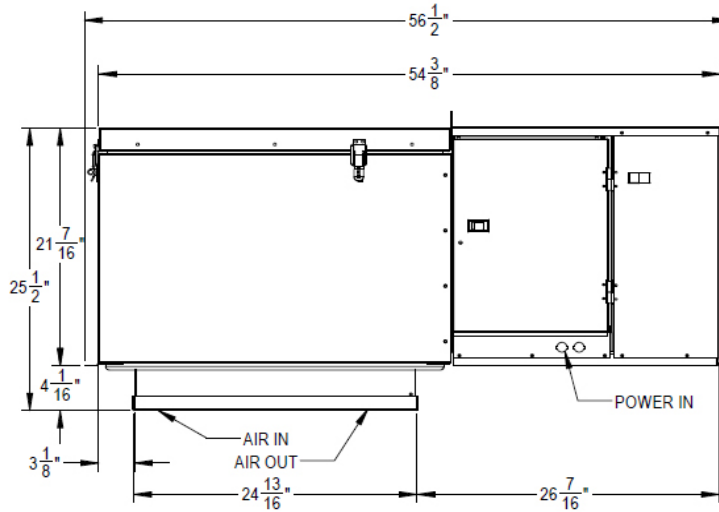
PHYSICAL DIMENSIONS

Figure 2 - Large Cabinet

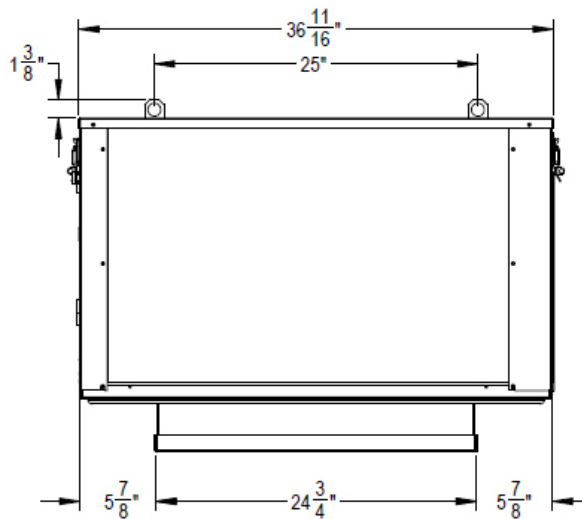
Bottom View



Side View



End View



AWEF DATA

AIR DEFROST

Model No.	Indoor	Outdoor	Temperature
HPO080M4CAALD	5.61	7.6	Medium
HPO100M4CAALD	5.61	7.6	Medium
HPO120M4CAALD	5.61	7.6	Medium
HPO080M4CDALD	5.61	7.6	Medium
HPO100M4CDALD	5.61	7.6	Medium
HPO120M4CDALD	5.61	7.6	Medium
HPO150M4CDALD	5.61	7.6	Medium

ELECTRIC DEFROST

Model No.	Indoor	Outdoor	Temperature
HPO080D4CDALD	5.61	7.6	Medium
HPO100D4CDALD	5.61	7.6	Medium
HPO120D4CDALD	5.61	7.6	Medium
HPO150D4CDALD	5.61	7.6	Medium
HPO150L4CDALD	2.17	3.15	Low
HPO250L4CDALD	2.17	3.15	Low
HPO300L4CDALD	2.17	3.15	Low
HPO350L4CDALD	2.17	3.15	Low

AWEF (Annual Walk-in Energy Factor)

If the Medium Temperature model has a numerical value in the table above, the following statement applies: "This refrigeration system is designed and certified for use in walk-in cooler applications"

If the Low Temperature model has a numerical value in the table above, the following statement applies: "This refrigeration system is designed and certified for use in walk-in freezer applications."





ENGINEERED FOR COOL.™

©2025 Heat Transfer Products Group

Published March 2025

RU-PRS-A2L-0325

www.htpg.com

This information is the most current and accurate information available and is subject to change without notice. HTPG makes no warranty or guarantee of any kind, express or implied, regarding the information set forth herein, including without limitation warranty regarding its currency, accuracy or completeness or any warranty of merchantability or fitness for a particular purpose.

