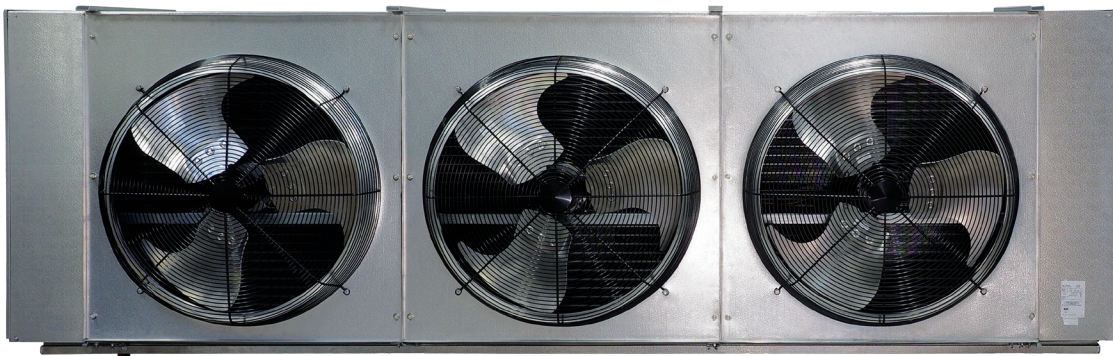




WAREHOUSE UNIT COOLER



Walk-Ins: Medium to Large Cooler and Freezer Applications

Warehouse Unit Coolers are designed exclusively for applications 3,000 sq. ft. and larger and fall outside of the July 2020 Department of Energy Annual Walk-in Energy Factor (AWEF) regulations.

Air Defrost

34,500 to 282,500 BTUH

Electric Defrost

36,400 to 246,100 BTUH

Hot Gas Defrost

36,400 to 246,100 BTUH

FEATURES

Russell's Warehouse Unit Coolers are the ideal evaporator solution for large walk-in coolers and freezers. Designed with efficiency, performance and service in mind, the Warehouse Unit Cooler line is optimized to cover Cold Storage applications in the most effective way. The Warehouse units feature rail-mount three-phase motors with standard or high static pressure prop fan blades. All units are circuited for multiple refrigerants and feature optimized circuit patterns to maximize performance. Warehouse Unit Coolers have several enhanced service features including rail-mount motors, new high efficiency fan and venturi designs, enhanced surface coil tubing, easily removable fan guards and modular fan panels, face mount defrost heaters, hinged drain pans and shipping pallets designed to facilitate easy installation.

WAREHOUSE UNIT COOLERS ARE DESIGNED EXCLUSIVELY FOR APPLICATIONS 3,000 SQ. FT. AND LARGER.

SIZES

There are a wide array of sizes to match your specific application requirements ranging from 34,500 to 282,500 BTUH at a 10°TD. Models are available with air flow spanning a range of 6,875 to 27,500 CFM.

HOUSING

Each unit is constructed with a rust-free, heavy gauge, textured, aluminum housing which is light weight yet extremely durable. Models feature hinged drain pans to allow for convenient servicing and maintenance. Pre-drilled hanger holes are provided on all units for fast installation..

COIL

Seamless copper tubes are staggered and mechanically expanded into heavy gauge corrugated aluminum fins to assure maximum heat transfer. Die formed fin collars are provided for accurate fin spacing. Heavy gauge hangers are fastened directly to the tube sheet of the coil to provide high structural strength. Electric Defrost and Hot Gas Defrost Models are available in both 6 FPI and 4 FPI.

MOTORS

Models are offered with three-phase motors with standard or high static pressure prop fan blades. If you require a High-Static fan blade in an application above freezing, please contact factory.

FANS & FAN GUARDS

Powerful heavy-duty aluminum fans are individually balanced to provide vibration free operation. Standard heavy-gauge wire fan guards are UL/cUL-approved epoxy coated for corrosion resistance. High static pressure prop fan blades are also available. Air throw for Warehouse Unit Coolers is 120 ft. with standard fan.

REFRIGERANTS

Heavy Duty Unit Coolers are optimized for multiple refrigerants including R404A, R407A, R448A, R449A and R744 DX (CO2). Please specify system refrigerant requirements when ordering. A separate compartment is provided for all refrigerant connections which allows ample room for internal mounting of expansion valves.

ELECTRIC DEFROST - LOW TEMP

Low Temperature Electric Defrost Models (RW6E or RW4E) are designed for use in freezers between +10F and -30F room temperatures. Defrost heaters are mounted on the air intake side of the unit for optimal performance and easy maintenance. A lower heater is installed inside the drain pan for fast, reliable drainage. Adjustable defrost termination, fan delay and heater safety controls are factory mounted for optimum performance of each control function.

ELECTRIC DEFROST - MEDIUM TEMP

Medium Temperature Electric Defrost Models (RW6D OR RW4D) are designed for use in coolers between +11F and +35 room temperatures. Defrost heaters are mounted on the air intake side of the unit for optimal performance and easy maintenance. A lower heater is installed inside the drain pan for fast, reliable drainage. Adjustable defrost termination, fan delay and heater safety controls are factory mounted for optimum performance of each control function.

HOT GAS DEFROST

There are two types of Hot Gas Defrost models available: 3-pipe Hot Gas models (RW*H or RW*K) and 2-pipe Hot Gas Reverse Cycle units (RW*G or RW*L). Hot Gas Defrost models are designed for use in coolers and freezers between 35°F and -30°F. Models are offered with electric or hot gas drain pans. All units include adjustable defrost termination and fan delay controls which are factory mounted for optimum performance of each control function. Refer to the current Russell Technical Bulletin for piping. Reverse Cycle units can also be used for Alternating Evaporator Systems.

ELECTRICAL

Available in 208/230V/12, 208-230V/3, 460V/1 or 460/3. A large compartment is supplied for all electrical components and is easily accessible by removing the end panel. All models are UL and cUL listed.

AIR DEFROST

Air Defrost models (RW6A) are designed for use in coolers at +35°F and warmer.

OPTIONAL FEATURES

- EcoNet® Enabled Controller¹ (factory-installed)
- EcoNet® Command Center (loose)
- Reverse Connections
- Thermostat - Mechanical or Electric (mounted or loose)
- Thermostatic Expansion Valve (mounted or loose)
- Electronic Expansion Valve (mounted or loose)
- Liquid Line Solenoid Valve (mounted or loose)
- Insulated Drain Pan
- Painted Cabinet (White or Black Russproof)
- Stainless Steel Cabinet
- Coated Coil (Bronz-Glow, or Electrofin®)
- Heat Exchanger (loose)

NOTES

1. EcoNet Control Package includes: EEV, suction pressure transducer, suction entering air coil temp. thermistors, thru-the-door disconnect switch, local on-board two-row backlit LCD display and push-button adjustments. (Controller replaces TXV, liquid line solenoid valve, room thermostat, defrost termination, fan delay, and time clock.)

HIGHLIGHTED FEATURES AND OPTIONS



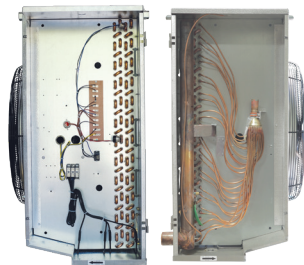
FANS AND HOUSING

- 30" heavy duty aluminum fans are balanced for vibration-free operation
- High efficiency deep draw venturi provide optimal air flow
- Hinged panels that can easily be removed
- NSF approved



COILS AND DEFROST HEATERS

- Available in 4 or 6 fins per inch (FPI)
- Electric defrost heaters are mounted on the air intake coil face to provide easy service access
- The drain pan heater is affixed to the drain pan and is easily accessed for service or cleaning



ELECTRICAL AND PIPING

- End panels slide out for easy service from the front or sides of the unit
- Ample room in electrical and piping compartments for easy access



ECONET ENABLED UNIT COOLERS (OPTIONAL)

- Developed in conjunction with Rheem Manufacturing specifically for walk-in coolers and freezers – it builds on the reliability and efficiency of Rheem's EcoNet technology.
- Saves energy in refrigeration systems through precise superheat and space temperature control, fan cycling, and controlling how often the system goes into defrost based on compressor runtime.
- Eliminates unnecessary defrosts
 - Maximizes energy efficiency with less compressor runtime
 - Reduces fan speed to 50% during off cycle for energy savings
- Can be used with a condensing unit in single and multiple evaporator installations as a group.
- Optional **EcoNet Command Center** with intuitive graphical interface controls up to 32 devices (including the Command Center) through one display, provides continuous communication between system components, and the remote mount display allows for EcoNet Enabled Unit Coolers to be programmed, monitored and troubleshoot outside of the space being cooled.

MODEL NOMENCLATURE

<u>R</u>	<u>W</u>	<u>6</u>	<u>E</u>	<u>143</u>	<u>E</u>	<u>T</u>	<u>A</u>
Brand	Style	Fins per Inch (FPI)	Defrost Type	BTUH in Thousands	Unit Voltage ¹	Motor Type	Vintage
R = Russell	W = Warehouse Z = Opposite Hand W (LEFT)	4 / 6	A = Air D = Medium Temp Electric Defrost E = Low Temp Electric Decrease H = Hot Gas 3-Pipe with Electric Drain Pan G = Hot Gas Reverse with Electric Drain Pan K = Hot Gas 3-Pipe with Hot Gas Drain Pan L = Hot Gas Reverse with Hot Gas Drain Pan		E = 208-230/3/60 G = 460/3/60	T = Three Phase H = Three Phase with High-Static (Pressure Prop) Fan Blades. If you require a High-Static fan blade in an application above freezing, please contact factory.	

FAN GUARDS EASILY REMOVABLE FOR QUICK ACCESS TO FAN BLADES AND RAIL-MOUNTED MOTORS



APPLICATIONS RATING & ELECTRICAL DATA // AIR DEFROST // THREE PHASE MOTOR

	Model No.	BTUH Capacity @ +25°F S.T. & 10°F TD		CFM	No. of Fans	Total Fan Motor AMPS Three Phase Motors Motor Voltage	
		R404A/R744 DX (CO ₂)	R407A/R448A/R449A [^]			208-230V/3	460V/3
		6 FPI	RW6A034*TA			34,500	40,400
RW6A047*TA	47,000		55,000	7,010			
RW6A058*TA	58,200		68,900	6,875			
RW6A069*TA	69,600		80,900	14,160	2	8.2	4.0
RW6A094*TA	94,500		111,500	14,030			
RW6A117*TA	117,200		138,800	13,750			
RW6A143*TA	143,100		167,000	21,040	3	12.3	6.0
RW6A176*TA	176,000		207,500	20,625			
RW6A190*TA	190,100		226,100	28,050			
RW6A234*TA	234,900		282,500	27,500	4	16.4	8.0

	Model No.	208-230V/3				460V/3			
		MCA		MOPD		MCA		MOPD	
		Base Model	EcoNet Enabled ¹	Base Model	EcoNet Enabled ¹	Base Model	EcoNet Enabled ¹	Base Model	EcoNet Enabled ¹
		6 FPI	RW6A034*TA						
RW6A047*TA	15.0		15.0	20	20	15.0	15.0	20	20
RW6A058*TA									
RW6A069*TA									
RW6A094*TA	15.0		15.0	20	20	15.0	15.0	20	20
RW6A117*TA									
RW6A143*TA	15.0		15.0	20	20	15.0	15.0	20	20
RW6A176*TA									
RW6A190*TA	17.4		19.4	20	20	15.0	15.0	20	20
RW6A234*TA									

NOTES:

- * Each asterisk represents a variable character based on voltage ordered. See page 5 for nomenclature.
- [^] R407A, R448A and R449A are rated at dew point temperature. Use R407A capacity ratings for R407C and R407F.
- 1. EcoNet Enabled Units are not powered by Condensing Unit so Defrost Heaters are incorporated into shown MCA/MOPD.

Warehouse models are designed exclusively for use in walk-in coolers and freezers 3,000 sq. ft and larger and fall outside of the July 2020 Department of Energy Annual Walk-in Energy Factor (AWEF) regulations.

APPLICATIONS RATING & ELECTRICAL DATA // LOW TEMP ELECTRIC DEFROST // THREE PHASE MOTOR

	Model No.	BTUH Capacity @ -20°F S.T. & 10°F TD ¹		CFM	No. of Fans	Total Fan Motor AMPS Three Phase Motors Motor Voltage	
		R404A/R744 DX (CO ₂)	R407A/R448A/R449A [^]			208-230V/3	460V/3
		6 FPI	RW6E036*TA			36,400	41,900
RW6E047*TA	47,900		54,600	7,010			
RW6E059*TA	59,200		67,900	6,875			
RW6E072*TA	72,500		83,500	14,160	2	8.2	4.0
RW6E096*TA	96,100		109,400	14,030			
RW6E120*TA	120,000		137,200	13,750			
RW6E143*TA	143,600		163,100	21,040	3	12.3	6.0
RW6E179*TA	179,500		206,600	20,625			
RW6E216*TA	216,200		246,100	27,500			

	Model No.	BTUH Capacity @ -20°F S.T. & 10°F TD ¹		CFM	No. of Fans	Total Fan Motor AMPS Three Phase Motors Motor Voltage					
		R404A/R744 DX (CO ₂)	R407A/R448A/R449A [^]			208-230V/3	460V/3				
		4 FPI	RW4E038*TA			38,300	43,600	7,010	1	4.1	2.0
			RW4E048*TA			48,900	56,000	6,875			
RW4E077*TA	77,300		88,600	14,030	2	8.2	4.0				
RW4E097*TA	97,000		111,000	13,750							
RW4E115*TA	115,600		131,200	21,040	3	12.3	6.0				
RW4E145*TA	145,700		166,400	20,625							
RW4E182*TA	182,200		206,500	27,500				4	16.4	8.0	

NOTES:

1.

Capacity Correction for Low Temp Electric and Hot Gas Defrost					
S.S.T. (Dew)	0°F	-10°F	-20°F	-30°F	-40°F
Multiply Capacity by:	1.075	1.0375	1	0.9625	0.925

- 2. EcoNet Enabled Units are not powered by Condensing Unit so Defrost Heaters are incorporated into shown MCA/MOPD.
 - * Each asterisk represents a variable character based on voltage ordered. See page 5 for nomenclature.
 - [^] R407A, R448A and R449A are rated at dew point temperature. Use R407A capacity ratings for R407C and R407F.
- High static models are capable of .35" water column external static pressure for duct or air flow accessories. Models with high static fan blades should not be used without the presence of external static pressure.
- Warehouse models are designed exclusively for use in walk-in coolers and freezers 3,000 sq. ft and larger and fall outside of the July 2020 Department of Energy Annual Walk-in Energy Factor (AWEF) regulations.

ELECTRICAL DATA // LOW TEMP ELECTRIC DEFROST // THREE PHASE MOTOR CONTINUED

	Model No.	208-230V/3				Heater Amps			Heater Watts
		MCA		MOPD		208-230V/3			
		Base Model	EcoNet Enabled ²	Base Model	EcoNet Enabled ²	No. of Circuits	Amps Each Circuit	Total Heater Amps	
6 FPI	RW6E036ETA	15.0	16.4	20	20	1	14.4	14.4	6,000
	RW6E047ETA								
	RW6E059ETA	15.0	30.9	20	35	1	28.9	28.9	
	RW6E072ETA								
	RW6E096ETA								
	RW6E120ETA	15.0	45.3	20	50	1	43.3	43.3	
	RW6E143ETA								
	RW6E179ETA								
RW6E216ETA	17.4	59.7	20	60	2	28.9	57.7	24,000	

	Model No.	208-230V/3				Heater Amps			Heater Watts
		MCA		MOPD		208-230V/3			
		Base Model	EcoNet Enabled ²	Base Model	EcoNet Enabled ²	No. of Circuits	Amps Each Circuit	Total Heater Amps	
4 FPI	RW4E038ETA	15.0	16.4	20	20	1	14.4	14.4	6,000
	RW4E048ETA								
	RW4E077ETA	15.0	30.9	20	35	1	28.9	28.9	
	RW4E097ETA								
	RW4E115ETA	15.0	45.3	20	50	1	43.3	43.3	
	RW4E145ETA								
	RW4E182ETA	17.4	59.7	20	60	2	28.9	57.7	

NOTES:

1. Capacity Correction for Low Temp Electric and Hot Gas Defrost

S.S.T. (Dew)	0°F	-10°F	-20°F	-30°F	-40°F
Multiply Capacity by:	1.075	1.0375	1	0.9625	0.925

2. EcoNet Enabled Units are not powered by Condensing Unit so Defrost Heaters are incorporated into shown MCA/MOPD.

* Each asterisk represents a variable character based on voltage ordered. See page 5 for nomenclature.

^ R407A, R448A and R449A are rated at dew point temperature. Use R407A capacity ratings for R407C and R407F.

High static models are capable of .35" water column external static pressure for duct or air flow accessories. Models with high static fan blades should not be used without the presence of external static pressure.

Warehouse models are designed exclusively for use in walk-in coolers and freezers 3,000 sq. ft and larger and fall outside of the July 2020 Department of Energy Annual Walk-in Energy Factor (AWEF) regulations.

ELECTRICAL DATA // LOW TEMP ELECTRIC DEFROST // THREE PHASE MOTOR CONTINUED

	Model No.	460V/3				Heater Amps			Heater Watts
		MCA		MOPD		460V/3			
		Base Model	EcoNet Enabled ²	Base Model	EcoNet Enabled ²	No. of Circuits	Amps Each Circuit	Total Heater Amps	
6 FPI	RW6E036GTA	15.0	15.0	20	20	1	7.5	7.5	6,000
	RW6E047GTA								
	RW6E059GTA	15.0	16.1	20	20	1	15.1	15.1	
	RW6E072GTA								
	RW6E096GTA								
	RW6E120GTA	15.0	23.6	20	25	1	22.6	22.6	
	RW6E143GTA								
	RW6E179GTA								
RW6E216GTA	15.0	31.1	20	35	1	30.1	30.1	24,000	

	Model No.	460V/3				Heater Amps			Heater Watts
		MCA		MOPD		460V/3			
		Base Model	EcoNet Enabled ²	Base Model	EcoNet Enabled ²	No. of Circuits	Amps Each Circuit	Total Heater Amps	
4 FPI	RW4E038GTA	15.0	15.0	20	20	1	7.5	7.5	6,000
	RW4E048GTA								
	RW4E077GTA	15.0	1.61	20	20	1	15.1	15.1	
	RW4E097GTA								
	RW4E115GTA	15.0	23.6	20	25	1	22.6	22.6	
	RW4E145GTA								
	RW4E182GTA	15.0	31.1	20	35	1	30.1	30.1	

NOTES:

1. Capacity Correction for Low Temp Electric and Hot Gas Defrost

S.S.T. (Dew)	0°F	-10°F	-20°F	-30°F	-40°F
Multiply Capacity by:	1.075	1.0375	1	0.9625	0.925

2. EcoNet Enabled Units are not powered by Condensing Unit so Defrost Heaters are incorporated into shown MCA/MOPD.

* Each asterisk represents a variable character based on voltage ordered. See page 5 for nomenclature.

^ R407A, R448A and R449A are rated at dew point temperature. Use R407A capacity ratings for R407C and R407F.

High static models are capable of .35" water column external static pressure for duct or air flow accessories. Models with high static fan blades should not be used without the presence of external static pressure.

Warehouse models are designed exclusively for use in walk-in coolers and freezers 3,000 sq. ft and larger and fall outside of the July 2020 Department of Energy Annual Walk-in Energy Factor (AWEF) regulations.

APPLICATIONS RATING & ELECTRICAL DATA // MED TEMP ELECTRIC DEFROST // THREE PHASE MOTOR

6 FPI	Model No.	BTUH Capacity @ +25F ST & 10F TD		CFM	No. of Fans	Total Fan AMPS Three-Phase Motor Motor Voltage	
		404/744 DX	407/448/449			208-230/3	460/3
		RW6D033*TA	34,500			40,400	7080
RW6D046*TA	47,000	55,000	7010				
6 FPI	RW6D057*TA	58,200	68,900	6875	2	8.2	4.0
	RW6D068*TA	69,600	80,900	14160			
6 FPI	RW6D093*TA	94,500	111,500	14030	3	12.3	6.0
	RW6D116*TA	117,200	138,800	13750			
6 FPI	RW6D142*TA	143,100	167,000	21040	4	16.4	8.0
	RW6D175*TA	176,000	207,500	20625			
6 FPI	RW6D189*TA	190,100	226,100	28050			
	RW6D233*TA	234,900	282,500	27500			

4 FPI	Model No.	BTUH Capacity @ +25F ST & 10F TD		CFM	No. of Fans	Total Fan AMPS Three-Phase Motor Motor Voltage	
		404/744 DX	407/448/449			208-230/3	460/3
		RW4D029*TA	30,500			35,800	7080
RW4D041*TA	41,600	48,700	7010				
4 FPI	RW4D050*TA	51,500	61,000	6875	2	8.2	4.0
	RW4D060*TA	61,600	71,600	14160			
4 FPI	RW4D082*TA	83,600	98,700	14030	3	12.3	6.0
	RW4D103*TA	103,700	122,800	13750			
4 FPI	RW4D126*TA	126,600	148,800	21040	4	16.4	8.0
	RW4D155*TA	155,800	183,600	20625			
4 FPI	RW4D167*TA	168,200	200,100	28050			
	RW4D206*TA	207,900	250,000	27500			

6 FPI	Model No.	208-230/3				Heater Amps 208-230/3	
		MCA		MOPD		No. of Circuits	Amps per Circuit
		Base Model	Econet Enabled	Base Model	Econet Enabled		
6 FPI	RW6D033ETA	15.0	20.5	20	20	1	14.4
	RW6D046ETA						
6 FPI	RW6D057ETA	15.0	30.9	20	35	1	28.9
	RW6D068ETA						
6 FPI	RW6D093ETA	15.0	45.3	20	50	1	43.3
	RW6D116ETA						
6 FPI	RW6D142ETA	17.4	59.7	20	60	2	28.9
	RW6D175ETA						
6 FPI	RW6D189ETA						
	RW6D233ETA						

See Notes on Page 11.

APPLICATIONS RATING & ELECTRICAL DATA // MED TEMP ELECTRIC DEFROST // THREE PHASE MOTOR CONTINUED

4 FPI	Model No.	208-230/3				Heater Amps 208-230/3	
		MCA		MOPD		No. of Circuits	Amps per Circuit
		Base Model	Econet Enabled	Base Model	Econet Enabled		
4 FPI	RW4D029ETA	15.0	20.5	20	20	1	14.4
	RW4D041ETA						
4 FPI	RW4D050ETA	15.0	30.9	20	35	1	28.9
	RW4D060ETA						
4 FPI	RW4D082ETA	15.0	45.3	20	50	1	43.3
	RW4D103ETA						
4 FPI	RW4D126ETA	17.4	59.7	20	60	2	28.9
	RW4D155ETA						
4 FPI	RW4D167ETA						
	RW4D206ETA						

6 FPI	Model No.	460/3				Heater Amps 460/3	
		MCA		MOPD		No. of Circuits	Amps per Circuit
		Base Model	Econet Enabled	Base Model	Econet Enabled		
6 FPI	RW6D033GTA	15.0	15.0	20	20	1	7.5
	RW6D046GTA						
6 FPI	RW6D057GTA	15.0	16.1	20	20	1	15.1
	RW6D068GTA						
6 FPI	RW6D093GTA	15.0	23.6	20	25	1	22.6
	RW6D116GTA						
6 FPI	RW6D142GTA	15.0	31.1	20	35	1	30.1
	RW6D175GTA						
6 FPI	RW6D189GTA						
	RW6D233GTA						

4 FPI	Model No.	460/3				Heater Amps 460/3	
		MCA		MOPD		No. of Circuits	Amps per Circuit
		Base Model	Econet Enabled	Base Model	Econet Enabled		
4 FPI	RW4D029GTA	15.0	15.0	20	20	1	7.5
	RW4D041GTA						
4 FPI	RW4D050GTA	15.0	16.1	20	20	1	15.1
	RW4D060GTA						
4 FPI	RW4D082GTA	15.0	23.6	20	25	1	22.6
	RW4D103GTA						
4 FPI	RW4D126GTA	15.0	31.1	20	35	1	30.1
	RW4D155GTA						
4 FPI	RW4D167GTA						
	RW4D206GTA						

NOTES:

Capacity Correction for Medium Temp Electric Defrost						
S.S.T. (DEW)	35	25	20	15	10	1
MULTIPLY CAPACITY BY:	1.038	1	0.98	0.96	0.94	0.92

LOW TEMP ELECTRIC DEFROST // THREE PHASE MOTOR W/ HIGH-STATIC FAN BLADES

Model No.	BTUH Capacity @ -20°F S.T. & 10°F TD ¹		CFM	No. of Fans	Total Fan Motor AMPS Three Phase Motors High Static Fan Blades Motor Voltage		
	R404A/ R744 DX (CO ₂)	R407A/ R448A/R449A [^]			208-230V/3	460V/3	
6 FPI	RW6E036*HA	36,400	1,900	7,080	1	6.4	3.2
	RW6E047*HA	47,900	54,600	7,010			
	RW6E059*HA	59,200	67,900	6,875			
	RW6E072*HA	72,500	83,500	14,160	2	12.8	6.4
	RW6E096*HA	96,100	109,400	14,030			
	RW6E120*HA	120,000	137,200	13,750			
	RW6E143*HA	143,600	163,100	21,040	3	19.2	9.6
	RW6E179*HA	179,500	206,600	20,625			
	RW6E216*HA	216,200	246,100	27,500			

Model No.	BTUH Capacity @ -20°F S.T. & 10°F TD ¹		CFM	No. of Fans	Total Fan Motor AMPS Three Phase Motors Motor Voltage		
	R404A / R744 DX (CO ₂)	R407A / R448A / R449A [^]			208-230V/3	460V/3	
4 FPI	RW4E038*HA	38,300	43,600	7,010	1	6.4	3.2
	RW4E048*HA	48,900	56,000	6,875			
	RW4E077*HA	77,300	88,600	14,030	2	12.8	6.4
	RW4E097*HA	97,000	111,000	13,750			
	RW4E115*HA	115,600	131,200	21,040	3	19.2	9.6
	RW4E145*HA	145,700	166,400	20,625			
	RW4E182*HA	182,200	206,500	27,500			



SUPPORTS ARE BOLTED TO PALLET AND UNIT COOLER FOR PRODUCT SAFETY AND QUICKER INSTALLATION

LOW TEMP ELECTRIC DEFROST // THREE PHASE MOTOR W/ HIGH-STATIC FAN BLADES

Model No.	208-230V/3				Heater Amps			Heater Watts	
	MCA		MOPD		208-230V/3				
	Base Model	EcoNet Enabled ²	Base Model	EcoNet Enabled ²	No. of Circuits	Amps Each Circuit	Total Heater Amps		
6 FPI	RW6E036EHA	15.0	16.4	20	20	1	14.4	14.4	6,000
	RW6E047EHA								
	RW6E059EHA								
	RW6E072EHA	15.0	30.9	20	35	1	28.9	28.9	12,000
	RW6E096EHA								
	RW6E120EHA								
	RW6E143EHA	20.8	45.3	25	50	1	43.3	43.3	18,000
	RW6E179EHA								
	RW6E216EHA								

Model No.	208-230V/3				Heater Amps			Heater Watts	
	MCA		MOPD		208-230V/3				
	Base Model	EcoNet Enabled ²	Base Model	EcoNet Enabled ²	No. of Circuits	Amps Each Circuit	Total Heater Amps		
4 FPI	RW4E038EHA	15.0	16.4	20	20	1	14.4	14.4	6,000
	RW4E048EHA								
	RW4E077EHA	15.0	30.9	20	35	1	28.9	28.9	12,000
	RW4E097EHA								
	RW4E115EHA	20.8	45.3	25	50	1	43.3	43.3	18,000
	RW4E145EHA								
	RW4E182EHA								

NOTES:

1.

Capacity Correction for Low Temp Electric and Hot Gas Defrost					
S.S.T. (Dew)	0°F	-10°F	-20°F	-30°F	-40°F
Multiply Capacity by:	1.075	1.0375	1	0.9625	0.925

2. EcoNet Enabled Units are not powered by Condensing Unit so Defrost Heaters are incorporated into shown MCA/MOPD.

* Each asterisk represents a variable character based on voltage ordered. See page 5 for nomenclature.

[^] R407A, R448A and R449A are rated at dew point temperature. Use R407A capacity ratings for R407C and R407F.

High static models are capable of .35" water column external static pressure for duct or air flow accessories. Models with high static fan blades should not be used without the presence of external static pressure.

Warehouse models are designed exclusively for use in walk-in coolers and freezers 3,000 sq. ft and larger and fall outside of the July 2020 Department of Energy Annual Walk-in Energy Factor (AWEF) regulations.

LOW TEMP ELECTRIC DEFROST // THREE PHASE MOTOR W/ HIGH-STATIC FAN BLADES

	Model No.	460V/3				Heater Amps 460V/3			Heater Watts
		MCA		MOPD		No. of Circuits	Amps Each Circuit	Total Heater Amps	
		Base Model	EcoNet Enabled ²	Base Model	EcoNet Enabled ²				
6 FPI	RW6E036GHA								
	RW6E047GHA	15.0	15.0	20	20	1	7.5	7.5	6,000
	RW6E059GHA								
	RW6E072GHA								
	RW6E096GHA	15.0	16.1	20	20	1	15.1	15.1	12,000
	RW6E120GHA								
	RW6E143GHA	15.0	23.6	20	25	1	22.6	22.6	18,000
	RW6E179GHA								
	RW6E216GHA	15.0	31.1	20	35	2	30.1	30.1	24,000
4 FPI	RW4E038EHA	15.0	15.0	20	20	1	7.5	7.5	6,000
	RW4E048EHA								
	RW4E077EHA	15.0	16.1	20	20	1	15.1	15.1	12,000
	RW4E097EHA								
	RW4E115EHA	15.0	23.6	20	25	1	22.6	22.6	18,000
	RW4E145EHA								
	RW4E182EHA	15.0	31.1	20	35	1	30.1	30.1	24,000

NOTES:

1. Capacity Correction for Low Temp Electric and Hot Gas Defrost

S.S.T. (Dew)	0°F	-10°F	-20°F	-30°F	-40°F
Multiply Capacity by:	1.075	1.0375	1	0.9625	0.925

2. EcoNet Enabled Units are not powered by Condensing Unit so Defrost Heaters are incorporated into shown MCA/MOPD.

* Each asterisk represents a variable character based on voltage ordered. See page 5 for nomenclature.

^ R407A, R448A and R449A are rated at dew point temperature. Use R407A capacity ratings for R407C and R407F.

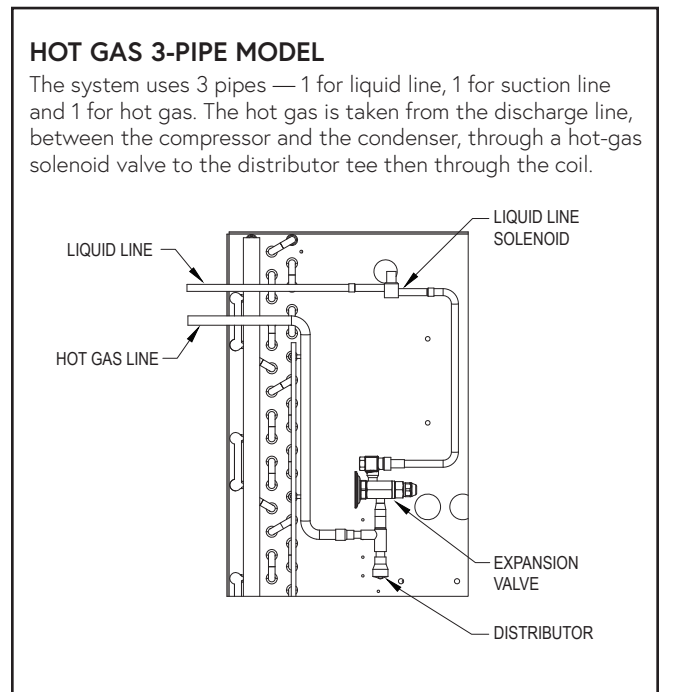
High static models are capable of .35" water column external static pressure for duct or air flow accessories. Models with high static fan blades should not be used without the presence of external static pressure.

Warehouse models are designed exclusively for use in walk-in coolers and freezers 3,000 sq. ft and larger and fall outside of the July 2020 Department of Energy Annual Walk-in Energy Factor (AWEF) regulations.

PERFORMANCE AND ELECTRICAL DATA // HOT GAS REVERSE CYCLE DEFROST MODELS // THREE PHASE MOTOR W/ HIGH-STATIC FAN BLADES

	Hot Gas Model No. (RW*H, RW*K)	BTUH Capacity @ -20°F S.T. & 10°F TD ¹		CFM	No. of Fans	Total Fan Motor AMPS Three Phase Motor		MCA			
		R404A	R407A/R448A/R449A [^]			208-230V/3	460V/3	208-230V/3	460V/3		
		6 FPI	RW6*036*TA			36,400	41,900	7,080	1	4.1	2.0
RW6*047*TA	47,900		54,600	7,010							
RW6*059*TA	59,200		67,900	6,875							
6 FPI	RW6*072*TA		72,500	83,500	14,160	2	8.2	4.0	15.0	15.0	
	RW6*096*TA		96,100	109,400	14,030						
	RW6*120*TA		120,000	137,200	13,750						
	4 FPI		RW6*143*TA	143,600	163,100	21,040	3	12.3	6.0	15.0	15.0
			RW6*179*TA	179,500	206,600	20,625					
			RW6*216*TA	216,200	246,100	27,500	4	16.4	8.0	17.4	15.0
4 FPI		RW4*038*TA	38,300	43,600	7,010	1	4.1	2.0	15.0	15.0	
	RW4*048*TA	48,900	56,000	6,875							
	RW4*077*TA	77,300	88,600	14,030	2	8.2	4.0	15.0	15.0		
	RW4*097*TA	97,000	111,000	13,750							
	RW4*115*TA	115,600	131,200	21,040	3	12.3	6.0	15.0	15.0		
	RW4*145*TA	145,700	166,400	20,625							
	RW4*182*TA	182,200	206,500	27,500							

	Hot Gas Model No. (RW*H, RW*K)	MOPD	Three Phase Motor		Heater Watts
			208-230V/1	460V/3	
6 FPI	RW6*036*TA				
	RW6*047*TA	20	8.3	4.3	2,000
	RW6*059*TA				
	RW6*072*TA				
	RW6*096*TA	20	16.7	8.7	4,000
	RW6*120*TA				
4 FPI	RW6*143*TA	20	25.0	13.0	6,000
	RW6*179*TA				
	RW6*216*TA	20	33.3	17.4	8,000
	RW4*038*TA	20	8.3	4.3	2,000
	RW4*048*TA				
	RW4*077*TA	20	16.7	8.7	4,000
	RW4*097*TA				
4 FPI	RW4*115*TA	20	25.0	13.0	6,000
	RW4*145*TA				
	RW4*182*TA	20	33.3	17.4	8,000



Each asterisk represents a variable character based on defrost and voltage ordered. Hot Gas 3-Pipe Version (H - Hot Gas Defrost 3-Pipe with Electric Drain Pan Heater, K - Hot Gas Defrost 3-Pipe with Hot Gas Drain Pan). See page 4 for nomenclature.

1. See capacity correction table and additional notes on page 7.

PERFORMANCE AND ELECTRICAL DATA // HOT GAS REVERSE CYCLE DEFROST // THREE PHASE MOTOR W/ HIGH-STATIC FAN BLADES

	Hot Gas Model No. (RW*H, RW*K)	BTUH Capacity @ -20°F S.T. & 10°F TD ¹		CFM	No. of Fans	Total Fan Motor AMPS Three Phase Motors High Static Fan Blades Motor Voltage		MCA						
		R404A	R407A/R448A/ R449A [^]			208-230V/3	460V/3	208-230V/3	460V/3					
6 FPI	RW6*036*HA	36,400	41,900	7,080	1	6.4	3.2	15.0	15.0					
	RW6*047*HA	47,900	54,600	7,010										
	RW6*059*HA	59,200	67,900	6,875										
	RW6*072*HA	72,500	83,500	14,160										
	RW6*096*HA	96,100	109,400	14,030										
	RW6*120*HA	120,000	137,200	13,750										
	RW6*143*HA	143,600	163,100	21,040										
	RW6*179*HA	179,500	206,600	20,625										
RW6*216*HA	216,200	246,100	27,500	2	12.8	6.4	15.0	15.0						
4 FPI	RW4*038*HA	38,300	43,600	7,010	1	6.4	3.2	15.0	15.0					
	RW4*048*HA	48,900	56,000	6,875										
	RW4*077*HA	77,300	88,600	14,030										
	RW4*097*HA	97,000	111,000	13,750										
	RW4*115*HA	115,600	131,200	21,040										
	RW4*145*HA	145,700	166,400	20,625										
	RW4*182*HA	182,200	206,500	27,500						3	19.2	9.6	20.8	15.0
										4	25.6	12.8	27.2	15.0

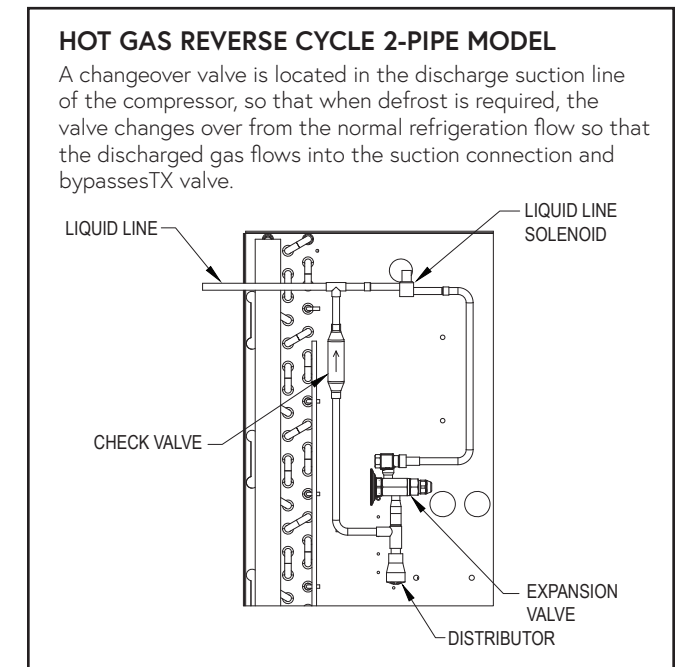
	Hot Gas Model No. (RW*H, RW*K)	MOPD		Electric Drain Pan Heater Amps		Heater Watts					
		208-230V/3	460V/3	208-230V/1	460V/1						
6 FPI	RW6*036*HA	20	20	8.3	4.3	2,000					
	RW6*047*HA										
	RW6*059*HA										
	RW6*072*HA										
	RW6*096*HA										
	RW6*120*HA										
	RW6*143*HA										
	RW6*179*HA										
RW6*216*HA	25	20	25.0	13.0	6,000						
4 FPI	RW4*038*HA	20	20	8.3	4.3	2,000					
	RW4*048*HA										
	RW4*077*HA										
	RW4*097*HA										
	RW4*115*HA										
	RW4*145*HA										
	RW4*182*HA						25	20	25.0	13.0	6,000
							30	20	33.3	17.4	8,000

NOTES:
 Each asterisk represents a variable character based on defrost and voltage ordered.
 Hot Gas 3-Pipe Version (H - Hot Gas Defrost 3-Pipe with Electric Drain Pan Heater, K - Hot Gas Defrost 3-Pipe with Hot Gas Drain Pan).
 See page 5 for nomenclature.
 1. See capacity correction table and additional notes on page 7.

PERFORMANCE AND ELECTRICAL DATA // HOT GAS REVERSE CYCLE DEFROST // THREE PHASE MOTOR

	Hot Gas Model No. (RW*G, RW*L)	BTUH Capacity @ -20°F S.T. & 10°F TD ¹		CFM	No. of Fans	Total Fan Motor AMPS Three Phase Motor		MCA						
		R404A	R407A/R448A/ R449A [^]			208-230V/3	460V/3	208-230V/3	460V/3					
6 FPI	RW6*036*TA	36,400	41,900	7,080	1	4.1	2.0	15.0	15.0					
	RW6*047*TA	47,900	54,600	7,010										
	RW6*059*TA	59,200	67,900	6,875										
	RW6*072*TA	72,500	83,500	14,160										
	RW6*096*TA	96,100	109,400	14,030										
	RW6*120*TA	120,000	137,200	13,750										
	RW6*143*TA	143,600	163,100	21,040										
	RW6*179*TA	179,500	206,600	20,625										
RW6*216*TA	216,200	246,100	27,500	2	8.2	4.0	15.0	15.0						
4 FPI	RW4*038*TA	38,300	43,600	7,010	1	4.1	2.0	15.0	15.0					
	RW4*048*TA	48,900	56,000	6,875										
	RW4*077*TA	77,300	88,600	14,030										
	RW4*097*TA	97,000	111,000	13,750										
	RW4*115*TA	115,600	131,200	21,040										
	RW4*145*TA	145,700	166,400	20,625										
	RW4*182*TA	182,200	206,500	27,500						3	12.3	6.0	15.0	15.0
										4	16.4	8.0	17.4	15.0

	Hot Gas Model No. ((RW*G, RW*L)	MOPD	Three Phase Motor		Heater Watts				
			208-230V/1	460V/1					
6 FPI	RW6*036*TA	20	8.3	4.3	2,000				
	RW6*047*TA								
	RW6*059*TA								
	RW6*072*TA								
	RW6*096*TA								
	RW6*120*TA								
	RW6*143*TA								
	RW6*179*TA								
RW6*216*TA	20	16.7	8.7	4,000					
4 FPI	RW4*038*TA	20	8.3	4.3	2,000				
	RW4*048*TA								
	RW4*077*TA								
	RW4*097*TA								
	RW4*115*TA								
	RW4*145*TA								
	RW4*182*TA					20	16.7	8.7	4,000
						20	25.0	13.0	6,000



NOTES:
 Each asterisk represents a variable character based on defrost and voltage ordered. Hot Gas 3-Pipe Version (H - Hot Gas Defrost 3-Pipe with Electric Drain Pan Heater, K - Hot Gas Defrost 3-Pipe with Hot Gas Drain Pan). See page 4 for nomenclature.
 1. See capacity correction table and additional notes on page 7.

HOT GAS REVERSE CYCLE // THREE PHASE MOTOR W/ HIGH-STATIC FAN BLADES

	Hot Gas Model No. (RW*G, RW*L)	BTUH Capacity @ -20°F S.T. & 10°F TD		CFM	No. of Fans	Total Fan Motor Amps Three Phase Motors High Static Fan Blades		MCA	
		R404A	R407A/R448A/R449A [^]			208-230V/3	460V/3	208-230V/3	460V/3
6 FPI	RW6*036*HA	36,400	41,900	7,080	1	6.4	3.2	15.0	15.0
	RW6*047*HA	47,900	54,600	7,010					
	RW6*059*HA	59,200	67,900	6,875					
	RW6*072*HA	72,500	83,500	14,160	2	12.8	6.4	15.0	15.0
	RW6*096*HA	96,100	109,400	14,030					
	RW6*120*HA	120,000	137,200	13,750					
	RW6*143*HA	143,600	163,100	21,040	3	19.2	9.6	20.8	15.0
	RW6*179*HA	179,500	206,600	20,625					
	RW6*216*HA	216,200	246,100	27,500					
4 FPI	RW4*038*HA	38,300	43,600	7,010	1	6.4	3.2	15.0	15.0
	RW4*048*HA	48,900	56,000	6,875					
	RW4*077*HA	77,300	88,600	14,030	2	12.8	6.4	15.0	15.0
	RW4*097*HA	97,000	111,000	13,750					
	RW4*115*HA	115,600	131,200	21,040	3	19.2	9.6	20.8	15.0
	RW4*145*HA	145,700	166,400	20,625					
RW4*182*HA	182,200	206,500	27,500	4	25.6	12.8	27.2	15.0	

	Hot Gas Model No. (RW*G, RW*L)	MOPD		Electric Drain Pan Heater Amps		Heater Watts
		208-230V/3	460V/3	208-230V/1	460V/1	
6 FPI	RW6*036*HA	20	20	8.3	4.3	2,000
	RW6*047*HA					
	RW6*059*HA					
	RW6*072*HA					
	RW6*096*HA	20	20	16.7	8.7	4,000
	RW6*120*HA					
	RW6*143*HA					
	RW6*179*HA					
RW6*216*HA	25	20	25.0	13.0	6,000	
4 FPI	RW4*038*HA	20	20	8.3	4.3	2,000
	RW4*048*HA					
	RW4*077*HA	25	20	16.7	8.7	4,000
	RW4*097*HA					
	RW4*115*HA	25	20	25.0	13.0	6,000
	RW4*145*HA					
RW4*182*HA	30	20	33.3	17.4	8,000	

NOTES:
 Each asterisk represents a variable character based on defrost and voltage ordered.
 Hot Gas 3-Pipe Version (H - Hot Gas Defrost 3-Pipe with Electric Drain Pan Heater, K - Hot Gas Defrost 3-Pipe with Hot Gas Drain Pan).
 See page 5 for nomenclature.
 1. See capacity correction table and additional notes on page 7.

DISTRIBUTOR NOZZLE AND EXPANSION VALVES // AIR DEFROST MODELS

Model No.	Part Numbers						No. of Circuits	
	Nozzle @ Liq. Temp.		TXV [^] @ Liq. Temp.		EEV @ Liq. Temp.			
	50°F	100°F	50°F	100°F	50°F	100°F		
R404A								
6 FPI	RW6A034**	G#1-1/2	G#4	SBFSE-B-C	SBFSE-C-C	SER-C	SER-C	6
	RW6A047**	G#1-1/2	G#5	SBFSE-C-C	OSE-6-C	SER-C	SER-C	
	RW6A058**	E#2	E#6	OSE-6-C	OSE-6-C	SER-C	SER-D	12
	RW6A069**	E#2-1/2	E#10	OSE-6-C	OSE-6-C	SER-C	SER-D	9
	RW6A094**	C#3	C#12	OSE-6-C	OSE-9-C	SER-D	SER-D	18
	RW6A117**	C#4	C#15	OSE-9-C	OSE-9-C	SER-D	SERI-F	
	RW6A143**	C#5	C#20	OSE-9-C	OSE-12-C	SER-D	SERI-F	
	RW6A176**	C#6	C#25	OSE-12-C	OSE-21-C	SERI-F	SERI-G	24
	RW6A190**	A#8	A#25	OSE-12-C	OSE-21-C	SERI-F	SERI-G	27
	RW6A234**	A#10	A#30	OSE-12-C	OSE-21-C	SERI-F	SERI-G	36
R407A/R448A/R449A[^]								
6 FPI	RW6A034**	G#1-1/2	G#4	SBFDE-B-C	SBFDE-C-C	SER-B	SER-C	6
	RW6A047**	G#1-1/2	G#5	SBFDE-C-C	SBFDE-C-C	SER-C	SER-C	
	RW6A058**	E#2	E#6	SBFDE-C-C	EBSDE-7-C	SER-C	SER-C	12
	RW6A069**	E#2-1/2	E#8	SBFDE-C-C	EBSDE-7-C	SER-C	SER-D	9
	RW6A094**	C#4	C#12	EBSDE-7-C	EBSDE-10-C	SER-D	SER-D	18
	RW6A117**	C#4	C#15	EBSDE-7-C	ODE-12-C	SER-D	SERI-F	
	RW6A143**	C#5	C#17	EBSDE-10-C	ODE-12-C	SER-D	SERI-F	
	RW6A176**	C#6	C#20	EBSDE-12-C	ODE-17-C	SERI-F	SERI-F	24
	RW6A190**	A#8	A#25	EBSDE-12-C	ODE-17-C	SERI-F	SERI-G	27
	RW6A234**	A#10	A#30	EBSDE-17-C	ODE-28-C	SERI-F	SERI-G	36

NOTES:
 The distributor lines are 1/4" tube & 21" long.
 * Each asterisk represents a variable character based on voltage ordered. See page 5 for nomenclature.
[^] TXV selections are based on +25°F suction temp., 8°F to 12°F evaporator TD. Contact factory for operating conditions outside of this range.
[†] SBFDE ODE, and EBSDE expansion valves are compatible with expansion valves are compatible with R407A, R448A and R449A/B.
 For other valves, follow manufacturers selection guidelines.
 Base models (no factory-mounted components) include nozzles sized for 100°F liquid shipped loose.



Russell's Warehouse Unit Cooler can be used in combination with Next-Gen II Condensing Units to provide complete refrigeration solutions for medium and large walk-ins 3,000 sq. ft. and larger.

DISTRIBUTOR NOZZLE AND EXPANSION VALVES // LOW TEMP ELECTRIC DEFROST

	Model No.	Part Numbers						No. of Circuits
		Nozzle @ Liq. Temp.		TXV [^] @ Liq. Temp.		EEV @ Liq. Temp.		
		50°F	100°F	50°F	100°F	50°F	100°F	
R404A								
6 FPI	RW6E036**	E#3	E#8	SBFSE-C-Z	EBSSE-6-Z	SER-C	SER-C	9
	RW6E047**	E#4	E#10	OSE-6-Z	EBSSE-7-1/2-Z	SER-C	SER-C	
	RW6E059**	E#5	E#12	OSE-6-Z	EBSSE-10-Z	SER-C	SER-D	12
	RW6E072**	C#6	C#17	OSE-6-Z	EBSSE-10-Z	SER-C	SER-D	18
	RW6E096**	C#10	C#20	OSE-9-Z	EBSSE-13-Z	SER-D	SER-D	
	RW6E120**	C#12	C#25	OSE-12-Z	OSE-21-C	SER-D	SERI-F	24
	RW6E143**	A#15	A#35	OSE-12-Z	OSE-30-C	SER-D	SERI-F	27
	RW6E179**	A#17	A#40	OSE-21-Z	OSE-30-C	SERI-F	SERI-G	36
	RW6E216**	A#20	A#50	OSE-35-Z	OSE-45-C	SERI-F	SERI-G	
4 FPI	RW4E038**	E#3	E#8	SBFSE-C-Z	OSE-6-Z	SER-C	SER-C	9
	RW4E048**	E#4	E#12	OSE-6-Z	OSE-6-Z	SER-C	SER-C	12
	RW4E077**	C#8	C#17	OSE-9-Z	OSE-12-Z	SER-C	SER-D	18
	RW4E097**	C#10	C#20	OSE-9-Z	OSE-12-Z	SER-D	SER-D	24
	RW4E115**	A#12	A#30	OSE-12-Z	OSE-21-Z	SER-D	SERI-F	27
	RW4E145**	A#15	A#35	OSE-12-Z	OSE-30-Z	SER-D	SERI-F	36
	RW4E182**	A#20	A#40	OSE-21-Z	OSE-30-Z	SERI-F	SERI-G	
	R407A/R448A/R449A[†]							
6 FPI	RW6E036**	E#2-1/2	E#6	SBFDE-C-Z	ODE-7-Z	SER-B	SER-C	9
	RW6E047**	E#4	E#8	EBSDE-7-Z	ODE-12-Z	SER-C	SER-C	
	RW6E059**	E#5	E#12	EBSDE-7-Z	ODE-12-Z	SER-C	SER-D	12
	RW6E072**	C#6	C#115	EBSDE-10-Z	ODE-12-Z	SER-C	SER-D	18
	RW6E096**	C#10	C#17	ODE-12-Z	ODE-17-Z	SER-D	SER-D	
	RW6E120**	C#12	C#25	ODE-17-Z	ODE-28-Z	SER-D	SER-D	24
	RW6E143**	A#15	A#30	ODE-17-Z	ODE-28-Z	SER-D	SERI-F	27
	RW6E179**	A#17	A#35	ODE-28-Z	ODE-40-Z	SERI-F	SERI-G	36
	RW6E216**	A#20	A#40	ODE-28-Z	ODE-45-Z	SERI-F	SERI-G	
4 FPI	RW4E038**	E#3	E#6	SBFDE-C-Z	ODE-7-Z	SER-C	SER-C	9
	RW4E048**	E#4	E#8	SBFDE-C-Z	ODE-7-Z	SER-C	SER-C	12
	RW4E077**	C#6	C#15	ODE-12-Z	ODE-12-Z	SER-C	SER-D	18
	RW4E097**	C#8	C#17	ODE-12-Z	ODE-17-Z	SER-D	SER-D	24
	RW4E115**	A#12	A#20	ODE-17-Z	ODE-28-Z	SER-D	SER-D	27
	RW4E145**	A#15	A#30	ODE-17-Z	ODE-28-Z	SER-D	SERI-F	36
	RW4E182**	A#17	A#35	ODE-28-Z	ODE-40-Z	SERI-F	SERI-G	

NOTES:

The distributor lines are 1/4" tube & 31" long.
 * Each asterisk represents a variable character based on voltage ordered. See page 5 for nomenclature.
[^] TXV selections are based on +25°F suction temp., 8°F to 12°F evaporator TD. Contact factory for operating conditions outside of this range.
[†] SBFDE ODE, and EBSDE expansion valves are compatible with expansion valves are compatible with R407A, R448A and R449A/B.
 For other valves, follow manufacturers selection guidelines.
 Base models (no factory-mounted components) include nozzles sized for 100°F liquid shipped loose.

DISTRIBUTOR NOZZLE AND EXPANSION VALVES // HOT GAS DEFROST

	Model No. (RW*H, RW*G, RW*K, RW*L)	Part Numbers						No. of Circuits
		Nozzle @ Liq. Temp.		TXV [^] @ Liq. Temp.		EEV @ Liq. Temp.		
		50°F	100°F	50°F	100°F	50°F	100°F	
R404A								
6 FPI	RW6*036**	E#3	E#8	SBFSE-C-Z	EBSSE-6-Z	SER-C	SER-C	9
	RW6*047**	E#4	E#10	OSE-6-Z	EBSSE-7-1/2-Z	SER-C	SER-C	
	RW6*059**	E#5	E#12	OSE-6-Z	EBSSE-10-Z	SER-C	SER-D	12
	RW6*072**	C#6	C#17	OSE-6-Z	EBSSE-10-Z	SER-C	SER-D	18
	RW6*096**	C#10	C#20	OSE-9-Z	EBSSE-13-Z	SER-D	SER-D	
	RW6*120**	C#12	C#25	OSE-12-Z	OSE-21-C	SER-D	SERI-F	24
	RW6*143**	A#15	A#35	OSE-12-Z	OSE-30-C	SER-D	SERI-F	27
	RW6*179**	A#17	A#40	OSE-21-Z	OSE-30-C	SERI-F	SERI-G	36
	RW6*216**	A#20	A#50	OSE-35-Z	OSE-45-C	SERI-F	SERI-G	
4 FPI	RW4*038**	E#3	E#8	SBFSE-C-Z	OSE-6-Z	SER-C	SER-C	9
	RW4*048**	E#4	E#12	OSE-6-Z	OSE-6-Z	SER-C	SER-C	12
	RW4*077**	C#8	C#17	OSE-9-Z	OSE-12-Z	SER-C	SER-D	18
	RW4*097**	C#10	C#20	OSE-9-Z	OSE-12-Z	SER-D	SER-D	24
	RW4*115**	A#12	A#30	OSE-12-Z	OSE-21-Z	SER-D	SERI-F	27
	RW4*145**	A#15	A#35	OSE-12-Z	OSE-30-Z	SER-D	SERI-F	36
	RW4*182**	A#20	A#40	OSE-21-Z	OSE-30-Z	SERI-F	SERI-G	
	R407A/R448A/R449A[†]							
6 FPI	RW6E036**	E#2-1/2	E#6	SBFDE-C-Z	ODE-7-Z	SER-B	SER-C	9
	RW6E047**	E#4	E#8	EBSDE-7-Z	ODE-12-Z	SER-C	SER-C	
	RW6E059**	E#5	E#12	EBSDE-7-Z	ODE-12-Z	SER-C	SER-C	12
	RW6E072**	C#6	C#15	EBSDE-10-Z	ODE-12-Z	SER-C	SER-D	18
	RW6E096**	C#8	C#17	ODE-12-Z	ODE-17-Z	SER-D	SER-D	
	RW6E120**	C#12	C#25	ODE-17-Z	ODE-28-Z	SER-D	SER-D	24
	RW6E143**	A#15	A#30	ODE-17-Z	ODE-28-Z	SER-D	SERI-F	27
	RW6E179**	A#17	A#35	ODE-28-Z	ODE-40-Z	SERI-F	SERI-G	36
	RW6E216**	A#20	A#40	ODE-28-Z	ODE-45-Z	SERI-F	SERI-G	
4 FPI	RW4E038**	E#3	E#6	SBFDE-C-Z	ODE-7-Z	SER-C	SER-C	9
	RW4E048**	E#4	E#8	SBFDE-C-Z	ODE-7-Z	SER-C	SER-C	12
	RW4E077**	C#6	C#15	ODE-12-Z	ODE-12-Z	SER-C	SER-D	18
	RW4E097**	C#8	C#17	ODE-12-Z	ODE-17-Z	SER-D	SER-D	24
	RW4E115**	A#12	A#20	ODE-17-Z	ODE-28-Z	SER-D	SER-D	27
	RW4E145**	A#15	A#30	ODE-17-Z	ODE-28-Z	SER-D	SERI-F	36
	RW4E182**	A#17	A#35	ODE-28-Z	ODE-40-Z	SERI-F	SERI-G	

NOTES:

The distributor lines are 1/4" tube & 31" long.
 * Each asterisk represents a variable character based on voltage ordered. See page 5 for nomenclature.
[^] TXV selections are based on -20°F suction temp., 8°F to 12°F evaporator TD. Contact factory for operating conditions outside of this range.
[†] SBFDE ODE, and EBSDE expansion valves are compatible with expansion valves are compatible with R407A, R448A and R449A/B.
 For other valves, follow manufacturers selection guidelines.
 Base models (no factory-mounted components) include nozzles sized for 100°F liquid shipped loose.

DISTRIBUTOR NOZZLE AND EXPANSION VALVES // MED. TEMP ELECTRIC DEFROST

Model No.	Nozzle @ Liquid Temp		TXV @ Liquid Temp		EEV @ Liquid Temp		No. of Circuits
	50°F	100°F	50°F	100°F	50°F	100°F	
R404A							
RW4D029*TA	G1-1/2	G4	SBFSE-B-C	SBFSE-C-C	SER-C	SER-C	6
RW4D041*TA	G1-1/2	G5	SBFSE-B-C	OSE-6-C	SER-C	SER-C	
RW4D050*TA	E2	E6	OSE-6-C	OSE-6-C	SER-C	SER-D	12
RW4D060*TA	E2-1/2	E10	OSE-6-C	OSE-6-C	SER-C	SER-D	9
RW4D082*TA	C3	C12	OSE-6-C	OSE-9-C	SER-D	SER-D	18
RW4D103*TA	C4	C15	OSE-9-C	OSE-9-C	SER-D	SERI-F	
RW4D126*TA	C5	C20	OSE-9-C	OSE-12-C	SER-D	SERI-F	24
RW4D155*TA	C6	C25	OSE-12-C	OSE-21-C	SERI-F	SERI-G	
RW4D167*TA	A8	A25	OSE-12-C	OSE-21-C	SERI-F	SERI-G	27
RW4D206*TA	A10	A30	OSE-12-C	OSE-21-C	SERI-F	SERI-G	36
R407A/R407C/R448A/R449A							
RW4D029*TA	G1-1/2	G4	SBFDE-B-C	SBFDE-C-C	SER-C	SER-C	6
RW4D041*TA	G1-1/2	G5	SBFDE-C-C	SBFDE-C-C	SER-C	SER-C	
RW4D050*TA	E2	E6	SBFDE-C-C	EBSDE-7-C	SER-C	SER-D	12
RW4D060*TA	E2-1/2	E8	SBFDE-C-C	EBSDE-7-C	SER-C	SER-D	9
RW4D082*TA	C4	C12	EBSDE-7-C	EBSDE-10-C	SER-D	SER-D	18
RW4D103*TA	C4	C15	EBSDE-7-C	ODE-12-C	SER-D	SERI-F	
RW4D126*TA	C5	C17	EBSDE-10-C	ODE-12-C	SER-D	SERI-F	24
RW4D155*TA	C6	C20	EBSDE-12-C	ODE-17-C	SERI-F	SERI-G	
RW4D167*TA	A8	A25	EBSDE-12-C	ODE-17-C	SERI-F	SERI-G	27
RW4D206*TA	A10	A30	EBSE-17-C	ODE-28-C	SERI-F	SERI-G	36

Model No.	Nozzle @ Liquid Temp		TXV @ Liquid Temp		EEV @ Liquid Temp		No. of Circuits
	50°F	100°F	50°F	100°F	50°F	100°F	
R404A							
RW6D033*TA	G1-1/2	G4	SBFSE-B-C	SBFSE-C-C	SER-C	SER-C	6
RW6D046*TA	G1-1/2	G5	SBFSE-B-C	OSE-6-C	SER-C	SER-C	
RW6D057*TA	E2	E6	OSE-6-C	OSE-6-C	SER-C	SER-D	12
RW6D068*TA	E2-1/2	E10	OSE-6-C	OSE-6-C	SER-C	SER-D	9
RW6D093*TA	C3	C12	OSE-6-C	OSE-9-C	SER-D	SER-D	18
RW6D116*TA	C4	C15	OSE-9-C	OSE-9-C	SER-D	SERI-F	
RW6D142*TA	C5	C20	OSE-9-C	OSE-12-C	SER-D	SERI-F	24
RW6D175*TA	C6	C25	OSE-12-C	OSE-21-C	SERI-F	SERI-G	
RW6D189*TA	A8	A25	OSE-12-C	OSE-21-C	SERI-F	SERI-G	27
RW6D233*TA	A10	A30	OSE-12-C	OSE-21-C	SERI-F	SERI-G	36
R407A/R407C/R448A/R449A							
RW6D033*TA	G1-1/2	G4	SBFDE-B-C	SBFDE-C-C	SER-C	SER-C	6
RW6D046*TA	G1-1/2	G5	SBFDE-C-C	SBFDE-C-C	SER-C	SER-C	
RW6D057*TA	E2	E6	SBFDE-C-C	EBSDE-7-C	SER-C	SER-C	12
RW6D068*TA	E2-1/2	E8	SBFDE-C-C	EBSDE-7-C	SER-C	SER-D	9
RW6D093*TA	C4	C12	EBSDE-7-C	EBSDE-10-C	SER-D	SER-D	18
RW6D116*TA	C4	C15	EBSDE-7-C	ODE-12-C	SER-D	SERI-F	
RW6D142*TA	C5	C17	EBSDE-10-C	ODE-12-C	SER-D	SERI-F	24
RW6D175*TA	C6	C20	EBSDE-12-C	ODE-17-C	SERI-F	SERI-F	
RW6D189*TA	A8	A25	EBSDE-12-C	ODE-17-C	SERI-F	SERI-G	27
RW6D233*TA	A10	A30	EBSE-17-C	ODE-28-C	SERI-F	SERI-G	36

SPECIFICATIONS // AIR DEFROST MODELS // THREE PHASE MOTOR

Model No.	Fan Dia. (Inches)	Motor Data			Refrigerant Connections		No. of Hanger Slot Locations	Fig.	Unit Dimensions (Inches)			Approx. Unit Wt. (Lbs.)
		Motor Qty.	HP	RPM	Liquid Line [^]	Suction			L	W	H	
RW6A034*TA	30	1	1	850	1/2	1-1/8	4	1	59-7/8	27-3/8	49-1/4	303
RW6A047*TA	30	1	1	850	1/2	1-3/8	4	1	59-7/8	27-3/8	49-1/4	303
RW6A058*TA	30	1	1	850	5/8	1-5/8	4	1	59-7/8	27-3/8	49-1/4	303
RW6A069*TA	30	2	1	850	5/8	1-5/8	6	2	99-7/8	27-3/8	49-1/4	509
RW6A094*TA	30	2	1	850	7/8	2-1/8	6	2	99-7/8	27-3/8	49-1/4	509
RW6A117*TA	30	2	1	850	7/8	2-1/8	6	2	99-7/8	27-3/8	49-1/4	509
RW6A143*TA	30	3	1	850	7/8	2-1/8	8	3	139-7/8	27-3/8	49-1/4	682
RW6A176*TA	30	3	1	850	1-1/8	2-1/8	8	3	139-7/8	27-3/8	49-1/4	682
RW6A190*TA	30	4	1	850	1-1/8	2-1/8	10	4	179-9/16	27-3/8	49-1/4	1,050
RW6A234*TA	30	4	1	850	1-1/8	2-1/8	10	4	179-9/16	27-3/8	49-1/4	1,050

Shipping Information - All Models

No. of Fans	Shipping Dimensions (Inches)			Approx. Unit Wt. (Lbs.)
	L	W	H	
1	69	42	66	480
2	109	42	66	750
3	146	42	66	1,030
4	189	42	66	1,360

NOTES:

- * Each asterisk represents a variable character based on voltage ordered. See page 5 for nomenclature.
- [^] For units with mounted TXV components. See Nozzle/TXV table for distributor connection size when TXV is field installed.
- 1. For dimensional distance between hanger slots, consult model's corresponding dimension drawing. Hanger slots are 1" deep x 1/2" wide.
- 2. Drain is 1-1/4" NPT for all models.

TYPICAL APPLICATIONS:



Medium to Large Warehouses



Cold Storage Warehouses



Walk-in Coolers and Freezers

SPECIFICATIONS // ELECTRIC AND HOT GAS MODELS // THREE PHASE MOTOR

	Model No. RW*E/G/H/K/L	Fan Diameter (Inches)	Motor Data			Refrigerant Connections			No. of Hanger Slot Locations	Fig.
			Motor Qty.	HP	RPM	Liquid Line [^]	Suction	3-Pipe Hot Gas Line		
6 FPI	RW6*036*TA	30	1	1	850	1/2	2-1/8	1-1/8	4	1
	RW6*047*TA	30	1	1	850	1/2	2-1/8	1-1/8	4	1
	RW6*059*TA	30	1	1	850	5/8	2-1/8	1-1/8	4	1
	RW6*072*TA	30	2	1	850	5/8	2-1/8	1-1/8	6	2
	RW6*096*TA	30	2	1	850	7/8	3-1/8	1-1/8	6	2
	RW6*120*TA	30	2	1	850	7/8	3-1/8	1-1/8	6	2
	RW6*143*TA	30	3	1	850	1-1/8	3-1/8	1-3/8	8	3
	RW6*179*TA	30	3	1	850	1-1/8	3-1/8	1-3/8	8	3
4 FPI	RW4*038*TA	30	1	1	850	1/2	2-1/8	1-1/8	4	1
	RW4*048*TA	30	1	1	850	5/8	2-3/8	1-1/8	4	1
	RW4*077*TA	30	2	1	850	5/8	2-5/8	1-1/8	6	2
	RW4*097*TA	30	2	1	850	7/8	3-1/8	1-1/8	6	2
	RW4*115*TA	30	3	1	850	7/8	3-1/8	1-3/8	8	3
	RW4*145*TA	30	3	1	850	1-1/8	3-1/8	1-3/8	8	3
	RW4*182*TA	30	4	1	850	1-1/8	3-1/8	1-3/8	10	4

	Model No. RW*E/G/H/K/L	Unit Dimensions (Inches)			Approx. Unit Wt. (Lbs.)
		L	W	H	
6 FPI	RW6*036*TA	59-7/8	27-3/8	49-1/4	303
	RW6*047*TA	59-7/8	27-3/8	49-1/4	303
	RW6*059*TA	59-7/8	27-3/8	49-1/4	303
	RW6*072*TA	99-7/8	27-3/8	49-1/4	509
	RW6*096*TA	99-7/8	27-3/8	49-1/4	509
	RW6*120*TA	99-7/8	27-3/8	49-1/4	509
	RW6*143*TA	139-7/8	27-3/8	49-1/4	682
	RW6*179*TA	139-7/8	27-3/8	49-1/4	682
4 FPI	RW4*038*TA	59-7/8	27-3/8	49-1/4	303
	RW4*048*TA	59-7/8	27-3/8	49-1/4	303
	RW4*077*TA	99-7/8	27-3/8	49-1/4	509
	RW4*097*TA	99-7/8	27-3/8	49-1/4	509
	RW4*115*TA	139-7/8	27-3/8	49-1/4	682
	RW4*145*TA	139-7/8	27-3/8	49-1/4	682
	RW4*182*TA	179-7/8	27-3/8	49-1/4	1,050

NOTES:
 * Each asterisk represents a variable character based on voltage ordered. See page 5 for nomenclature.
[^] For units with mounted TXV components. See Nozzle/ TXV table for distributor connection size when TXV is field installed.
 1. For dimensional distance between hanger slots, consult model's corresponding dimension drawing. Hanger slots are 1" deep x 1/2" wide.
 2. Drain is 1-1/4" NPT for all models.
 3. For shipping dimensions and weights, see Shipping Information table on page 17.

SPECIFICATIONS // ELECTRIC AND HOT GAS DEFROST MODEL // THREE PHASE MOTOR WITH HIGH-STATIC FAN BLADES

	Model No. RW*E/G/H/K/L	Fan Diameter (Inches)	Motor Data			Refrigerant Connections			No. of Hanger Slot Locations	Fig.
			Motor Qty.	HP	RPM	Liquid Line [^]	Suction	3-Pipe Hot Gas Line		
6 FPI	RW6*036*HA	30	1	1-1/2	1140	1/2	2-1/8	1-1/8	4	1
	RW6*047*HA	30	1	1-1/2	1140	5/8	2-1/8	1-1/8	4	1
	RW6*059*HA	30	1	1-1/2	1140	5/8	2-1/8	1-1/8	4	1
	RW6*072*HA	30	2	1-1/2	1140	5/8	2-1/8	1-1/8	6	2
	RW6*096*HA	30	2	1-1/2	1140	7/8	3-1/8	1-1/8	6	2
	RW6*120*HA	30	2	1-1/2	1140	7/8	3-1/8	1-1/8	6	2
	RW6*143*HA	30	3	1-1/2	1140	1-1/8	3-1/8	1-3/8	8	3
	RW6*179*HA	30	3	1-1/2	1140	1-1/8	3-1/8	1-3/8	8	3
	RW6*216*HA	30	4	1-1/2	1140	1-1/8	3-1/8	1-3/8	10	4
	4 FPI	RW4*038*HA	30	1	1-1/2	1140	1/2	2-1/8	1-1/8	4
RW4*048*HA		30	1	1-1/2	1140	5/8	2-1/8	1-1/8	4	1
RW4*077*HA		30	2	1-1/2	1140	5/8	2-1/8	1-1/8	6	2
RW4*097*HA		30	2	1-1/2	1140	7/8	3-1/8	1-1/8	6	2
RW4*115*HA		30	3	1-1/2	1140	7/8	3-1/8	1-3/8	8	3
RW4*145*HA		30	3	1-1/2	1140	1-1/8	3-1/8	1-3/8	8	3
RW4*182*HA		30	4	1-1/2	1140	1-1/8	3-1/8	1-3/8	10	4

	Model No. RW*E/G/H/K/L	Unit Dimensions (Inches)			Approx. Unit Wt. (Lbs.)
		L	W	H	
6 FPI	RW6*036*HA	59-7/8	27-3/8	49-1/4	303
	RW6*047*HA	59-7/8	27-3/8	49-1/4	303
	RW6*059*HA	59-7/8	27-3/8	49-1/4	303
	RW6*072*HA	99-7/8	27-3/8	49-1/4	509
	RW6*096*HA	99-7/8	27-3/8	49-1/4	509
	RW6*120*HA	99-7/8	27-3/8	49-1/4	509
	RW6*143*HA	139-7/8	27-3/8	49-1/4	682
	RW6*179*HA	139-7/8	27-3/8	49-1/4	682
	RW6*216*HA	179-7/8	27-3/8	49-1/4	1,050
	4 FPI	RW4*038*HA	59-7/8	27-3/8	49-1/4
RW4*048*HA		59-7/8	27-3/8	49-1/4	303
RW4*077*HA		99-7/8	27-3/8	49-1/4	509
RW4*097*HA		99-7/8	27-3/8	49-1/4	509
RW4*115*HA		139-7/8	27-3/8	49-1/4	682
RW4*145*HA		139-7/8	27-3/8	49-1/4	682
RW4*182*HA		179-7/8	27-3/8	49-1/4	1,050

NOTES:
 * Each asterisk represents a variable character based on voltage ordered. See page 5 for nomenclature.
[^] For units with mounted TXV components. See Nozzle/ TXV table for distributor connection size when TXV is field installed.
 1. For dimensional distance between hanger slots, consult model's corresponding dimension drawing. Hanger slots are 1" deep x 1/2" wide.
 2. Drain is 1-1/4" NPT for all models.
 3. For shipping dimensions and weights, see Shipping Information table on page 17.

PHYSICAL DIMENSIONS

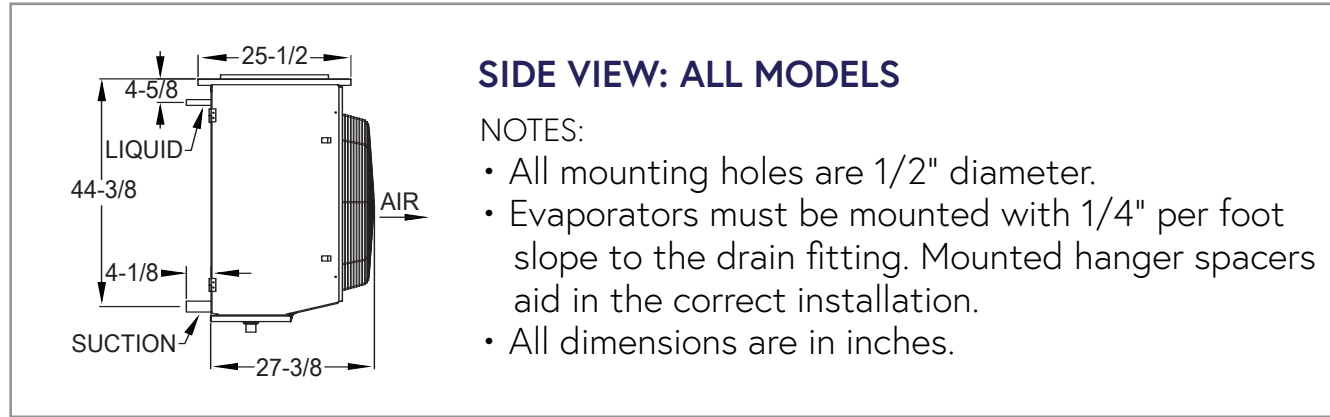


Figure 1: Single Fan

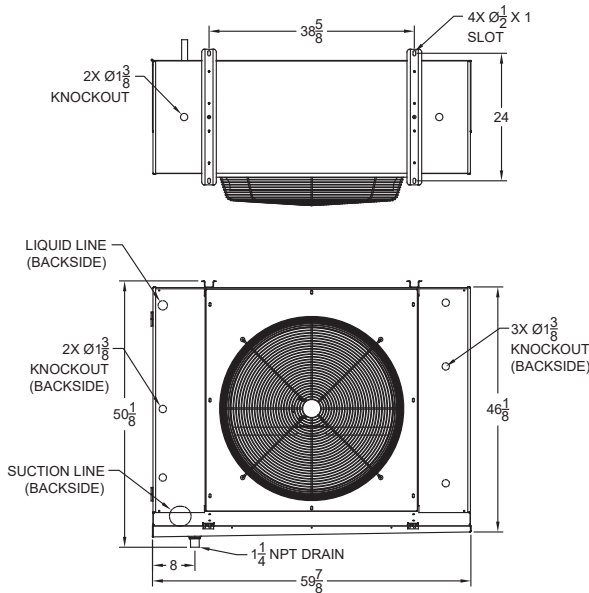
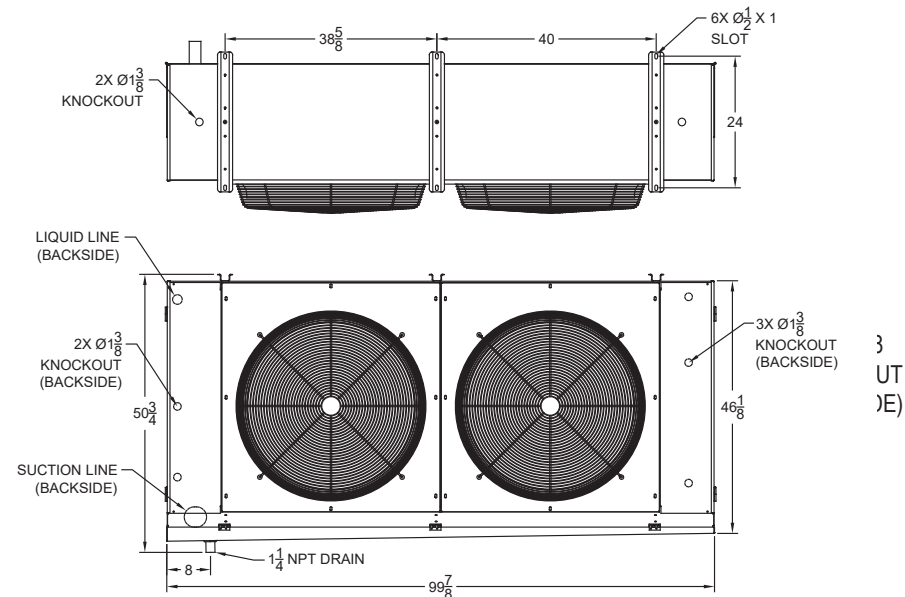


Figure 2: Two Fan



PHYSICAL DIMENSIONS

Figure 3: Three Fan

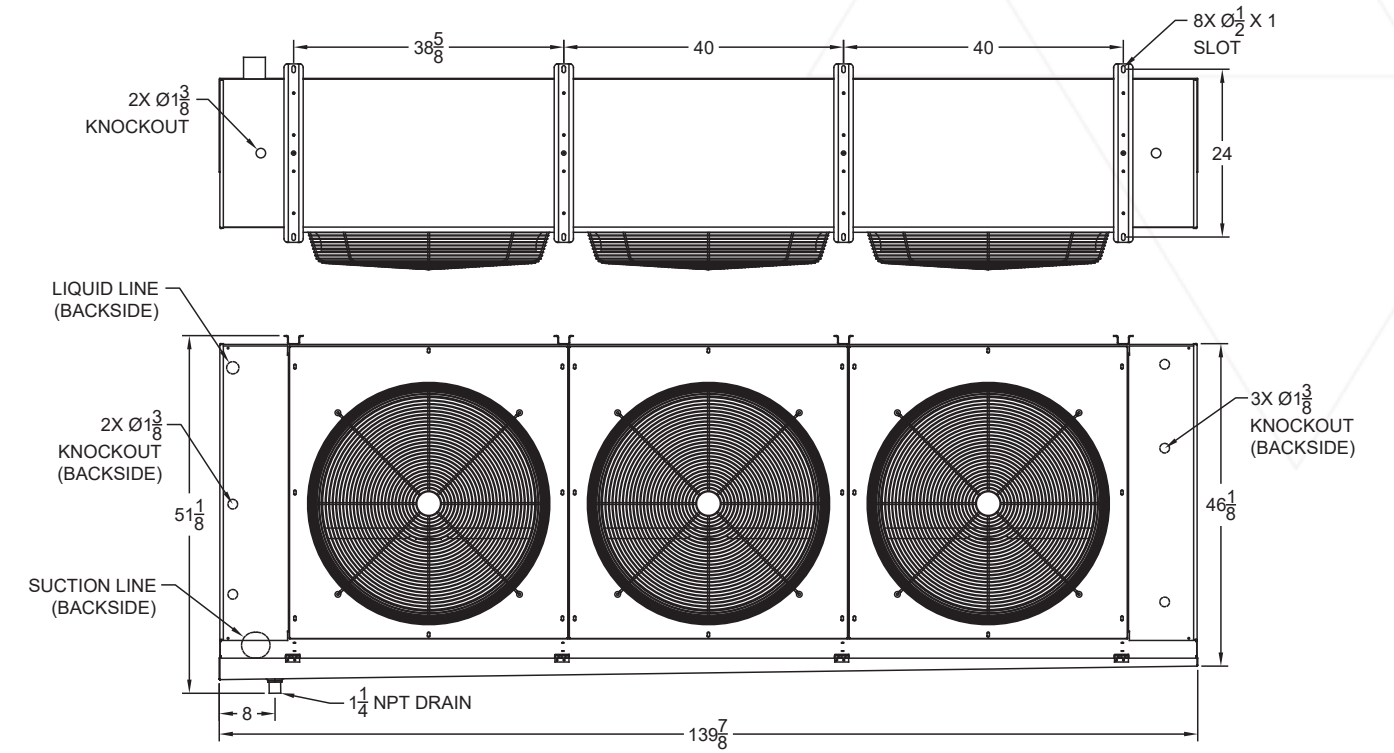
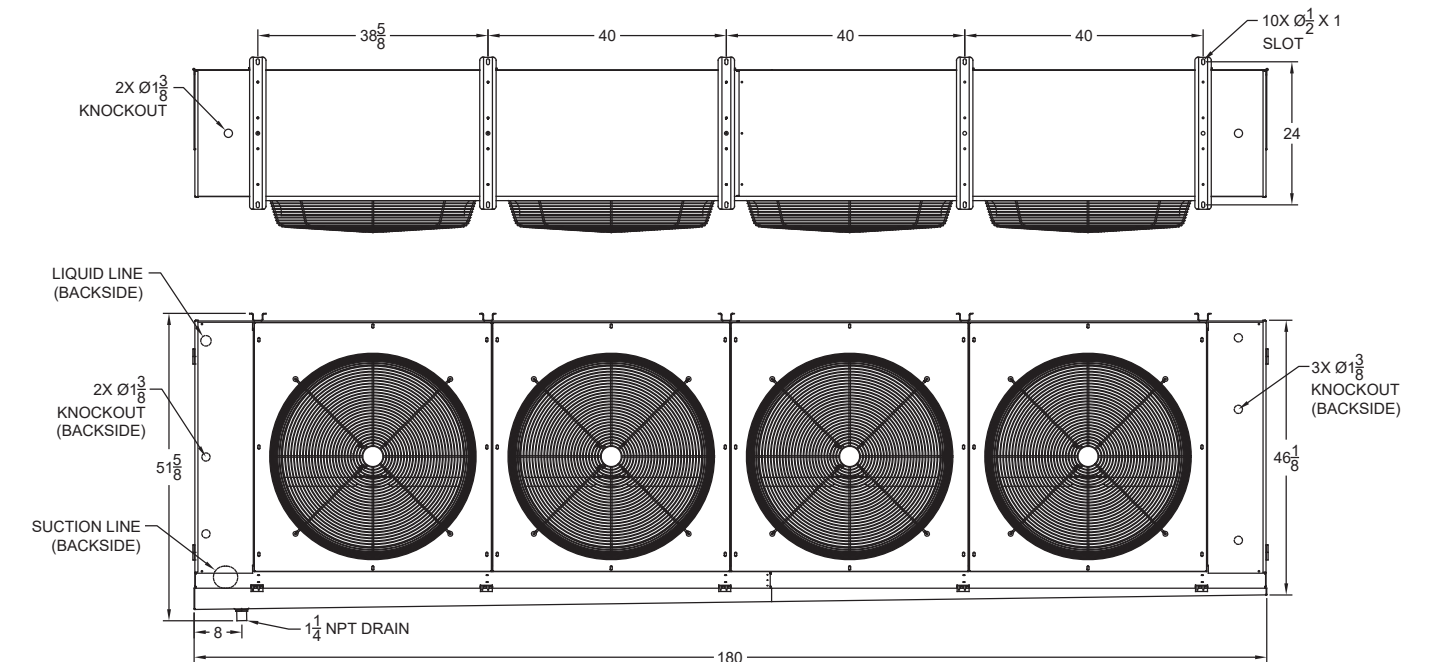


Figure 4: Four Fan





ENGINEERED FOR COOL.™

©2024 Heat Transfer Products Group

Published May 2024

WT-WWX-0524

witt.htpg.com



This information is the most current and accurate information available and is subject to change without notice. HTPG makes no warranty or guarantee of any kind, express or implied, regarding the information set forth herein, including without limitation warranty regarding its currency, accuracy or completeness or any warranty of merchantability or fitness for a particular purpose.

