

Apex System

APEX TOP MOUNT REFRIGERATION SYSTEM



indoor unit

APEX is delivered, fully assembled and ready to mount. This saves you time and money, because of its quick installation and minimal labor cost. Most APEX units come with a 30" power cord so you can just plug it in and chill.

Air Defrost — 2,500 - 13,500 BTUH
Electric Defrost — 2,400 - 9,000 BTUH

Features:

- All-in-one refrigeration system
- Factory assembled
- Fully charged and tested
- Attached power cord on most indoor models
- Quick and easy installation
- Indoor and Outdoor units
- HACCP compliant controls



outdoor unit



APEX TOP MOUNT REFRIGERATION SYSTEM



Replaceable heater and access panel

Saving Time and Money

- Two-year warranty on all parts
- Shipped factory assembled and tested
- No piping or loose components to install
- Factory evacuated, charged and run tested
- Motors and fans common to other HTPG product
- Adjustable digital electronic controller preset for typical cooler or freezer applications

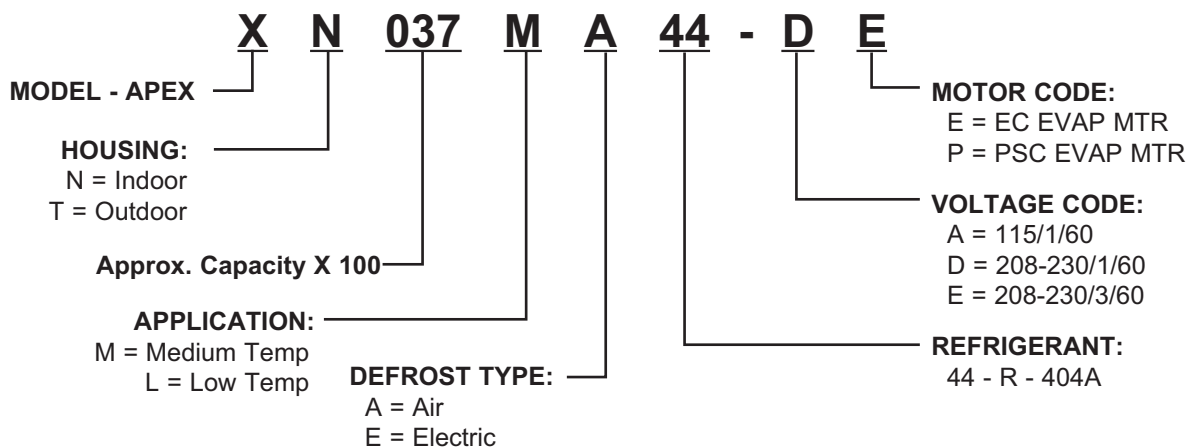
Quick Installation

- Installs in a fraction of the time it takes for a typical split refrigeration system.
- The supply/return register mounts flush with a standard 4" ceiling panel which provides for more storage in your cooler or freezer.
- Condensate evaporated on Indoor models so no drain line is required.
- Drain line with heater provided for Outdoor models.



Inside view of an installed walk-in cooler.

MODEL NUMBER NOMENCLATURE



Standard Indoor Features:

- Insulated evaporator housing / Mill finish Aluminum
- Fully charged and run tested
- Evaporative Drain pan (no drain line needed)
- Electronic Controller
- Filter / Drier, sight-glass, and TXV
- "UL Sanitation" approved

Standard Outdoor Features:

- Most features identical to Indoor models*
- All weather roof
- Drain line with heater
- Crankcase heater

*Outdoor models not equipped with Evaporative Drain Pan

APEX TOP MOUNT REFRIGERATION SYSTEM

Performance/Electrical

Med. Temp. Air Defrost Performance	80° F Ambient		90° F Ambient		95° F Ambient		100° F Ambient		110° F Ambient	
	35° F Rm	38° F Rm	35° F Rm	38° F Rm	35° F Rm	38° F Rm	35° F Rm	38° F Rm	35° F Rm	38° F Rm
XN026MA44A*	3,170	3,360	2,960	3,140	2,860	3,030	2,750	2,910	2,530	2,670
XN029MA44A*	3,410	3,590	3,210	3,390	3,110	3,280	3,010	3,180	2,800	2,980
XN037MA44A*	4,300	4,520	4,070	4,280	3,950	4,160	3,820	4,030	3,570	3,770
X*050MA44*	6,430	6,790	6,040	6,380	5,840	6,180	5,640	5,980	5,250	5,580
X*068MA44D*	7,890	8,310	7,420	7,820	7,200	7,590	6,970	7,350	6,510	6,900
X*076MA44D*	8,630	9,100	8,130	8,580	7,880	8,320	7,630	8,060	7,140	7,560
X*106MA44*	13,230	14,080	12,170	13,010	11,640	12,470	11,090	11,940	9,960	10,850
X*134MA44*	16,440	17,350	15,260	16,140	14,650	15,510	14,040	14,880	12,770	13,590

Med. Temp. Air Defrost Electrical	Volts/Ph 60 Hz	MCA	MOPD	Unit Amps	Indoor Power Cord	NEMA Receptacle	Evap CFM	Cabinet Size	Approximate Weight (Lbs)			
									Indoor		Outdoor	
									Net	Ship	Net	Ship
XN026MA44A*	115/1	8	15	6.2	Yes	5-15P	280	Small	120	185	-	-
XN029MA44A*	115/1	9	15	7.5	Yes	5-15P	280	Small	120	185	-	-
XN037MA44A*	115/1	14	15	11.6	Yes	5-15P	280	Small	125	190	-	-
XN050MA44A*	115/1	19	20	15.4	Yes	5-20P	435	Medium	210	305	-	-
X*050MA44D*	230/1	9	15	7.2	Yes	6-15P	435	Medium	210	305	220	360
X*068MA44D*	230/1	10	15	8.5	Yes	6-15P	705	Medium	220	315	230	370
X*076MA44D*	230/1	12	15	9.7	Yes	6-20P	705	Medium	220	315	230	370
X*106MA44D*	230/1	15	20	12.2	Yes	6-20P	1135	Large	295	420	310	485
X*106MA44E*	230/3	11	15	9.3	Yes	-	1135	Large	305	430	310	485
X*134MA44D*	230/1	17	25	13.8	No	-	1030	Large	310	435	325	500
X*134MA44E*	230/3	13	20	10.8	No	-	1030	Large	310	435	325	500

Med. Temp. Electric Defrost Performance	80° F Ambient		90° F Ambient		95° F Ambient		100° F Ambient		110° F Ambient	
	35° F Rm	38° F Rm	35° F Rm	38° F Rm	35° F Rm	38° F Rm	35° F Rm	38° F Rm	35° F Rm	38° F Rm
XN026ME44A*	3,170	3,360	2,960	3,140	2,860	3,030	2,750	2,910	2,530	2,670
XN029ME44A*	3,410	3,590	3,210	3,390	3,110	3,280	3,010	3,180	2,800	2,980
XN037ME44A*	4,300	4,520	4,070	4,280	3,950	4,160	3,820	4,030	3,570	3,770
X*050ME44*	6,430	6,790	6,040	6,380	5,840	6,180	5,640	5,980	5,250	5,580
X*068ME44D*	7,890	8,310	7,420	7,820	7,200	7,590	6,970	7,350	6,510	6,900
X*076ME44D*	8,630	9,100	8,130	8,580	7,880	8,320	7,630	8,060	7,140	7,560
X*106ME44*	13,230	14,080	12,170	13,010	11,640	12,470	11,090	11,940	9,960	10,850
X*134ME44*	16,440	17,350	15,260	16,140	14,650	15,510	14,040	14,880	12,770	13,590

Med. Temp. Electric Defrost Electrical	Volts/PH 60 Hz	MCA	MOPD	Unit Amps	Indoor Power Cord	NEMA Receptacle	Evap CFM	Cabinet Size	Approximate Weight (Lbs)			
									Indoor		Outdoor	
									Net	Ship	Net	Ship
XN026ME44A*	115/1	8	15	6.2	Yes	5-15P	280	Small	120	185	-	-
XN029ME44A*	115/1	9	15	7.5	Yes	5-15P	280	Small	120	185	-	-
XN037ME44A*	115/1	14	15	11.6	Yes	5-15P	280	Small	125	190	-	-
XN050ME44A*	115/1	19	20	15.4	Yes	5-20P	435	Medium	210	305	-	-
X*050ME44D*	230/1	9	15	7.2	Yes	6-15P	435	Medium	210	305	220	360
X*068ME44D*	230/1	10	15	8.6	Yes	6-15P	705	Medium	220	315	230	370
X*076ME44D*	230/1	12	15	9.7	Yes	6-20P	705	Medium	220	315	230	370
X*106ME44D*	230/1	15	20	12.2	Yes	6-20P	1135	Large	295	420	310	485
X*106ME44E*	230/3	11	15	9.3	Yes	-	1135	Large	305	430	310	485
X*134ME44D*	230/1	17	25	13.8	No	-	1030	Large	310	435	325	500
X*134ME44E*	230/3	13	20	10.8	No	-	1030	Large	310	435	325	500

Min. Amb. : 50°F for indoor models. **Max. Amb.** : 110°F for all models. † - All 230 volt units can be used as 208 volt.
Unit amps are for standard models with electronically commutated evap. motors and permanent split capacitor condenser motors.

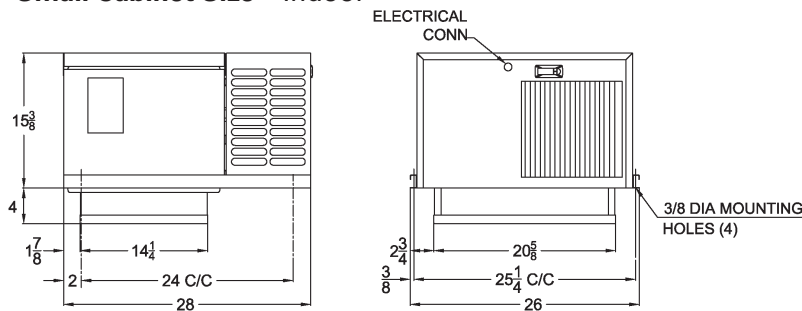
APEX TOP MOUNT REFRIGERATION SYSTEM

Low Temp. Electric Defrost Performance	80° F Ambient			90° F Ambient			95° F Ambient			100° F Ambient			110° F Ambient		
	0° F Rm	-10° F Rm	-20° F Rm	0° F Rm	-10° F Rm	-20° F Rm	0° F Rm	-10° F Rm	-20° F Rm	0° F Rm	-10° F Rm	-20° F Rm	0° F Rm	-10° F Rm	-20° F Rm
XN018LE44*	2,640	2,120	-	2,460	1,940	-	2,360	1,850	-	2,250	1,760	-	2,020	-	-
XN024LE44*	3,360	2,570	1,900	3,110	2,410	1,700	3,010	2,290	1,600	2,930	2,180	1,500	2,660	1,950	1,300
X*031LE44*	5,130	3,960	2,770	4,540	3,420	2,290	4,250	3,160	2,040	3,960	2,900	1,790	3,390	2,380	1,260
X*043LE44*	6,860	5,430	4,070	6,130	4,760	3,460	5,760	4,430	3,150	5,390	4,090	2,480	4,640	3,410	2,230
X*051LE44*	8,590	6,670	4,930	7,710	5,860	4,190	7,260	5,460	3,820	6,800	5,050	3,430	5,880	4,210	2,610
X*068LE44*	10,840	8,620	6,760	9,690	7,530	5,690	9,100	6,970	5,140	8,510	6,420	4,590	7,320	5,320	3,450

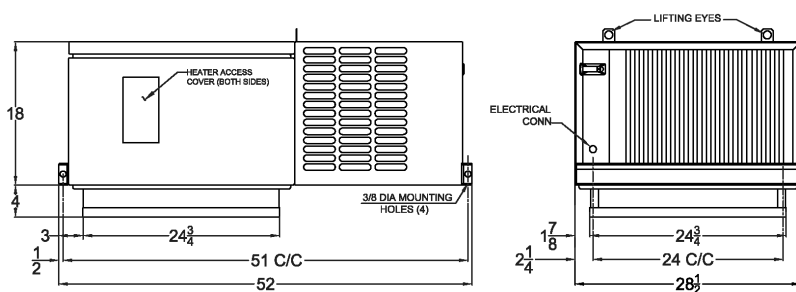
Low Temp. Electric Defrost Electrical	Volts/PH 60 Hz	MCA	MOPD	Unit Amps	Indoor Power Cord	NEMA Receptacle	Evap CFM	Cabinet Size	Approximate Weight (Lbs)			
									Indoor		Outdoor	
									Net	Ship	Net	Ship
XN018LE44A*	115/1	10	20	7.9	Yes	5-15P	280	Small	140	200	-	-
XN024LE44A*	115/1	14	20	11.7	Yes	5-20P	435	Medium	210	305	-	-
X*024LE44D*	208-230/1	9	11	7.0	Yes	6-15P	435	Medium	210	305	225	365
X*031LE44D*	208-230/1	12	15	10.3	Yes	6-15P	705	Medium	245	340	255	400
X*043LE44D*	208-230/1	15	20	12.0	Yes	6-20P	705	Medium	245	340	255	400
X*051LE44D*	208-230/1	16	20	12.9	Yes	6-20P	1135	Large	315	445	330	510
X*051LE44E*	208-230/3	11	15	8.9	No	-	1135	Large	315	445	330	510
X*068LE44D*	208-230/1	21	30	17.6	No	-	1135	Large	315	445	335	515
X*068LE44E*	208-230/3	14	20	11.8	No	-	1135	Large	315	445	335	515

Dimensional Drawings

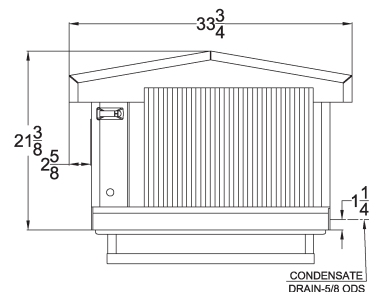
Small Cabinet Size – Indoor



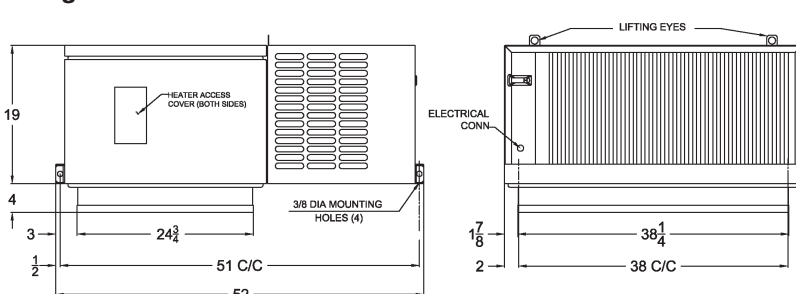
Medium Cabinet Size – Indoor



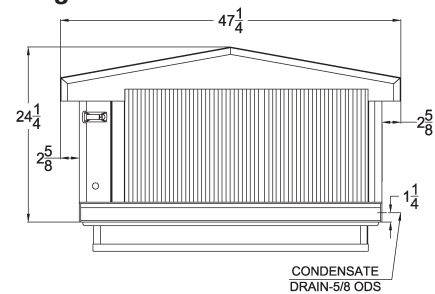
Medium – Outdoor



Large Cabinet Size – Indoor



Large – Outdoor



Due to continuing product development, specifications are subject to change without notice.

