

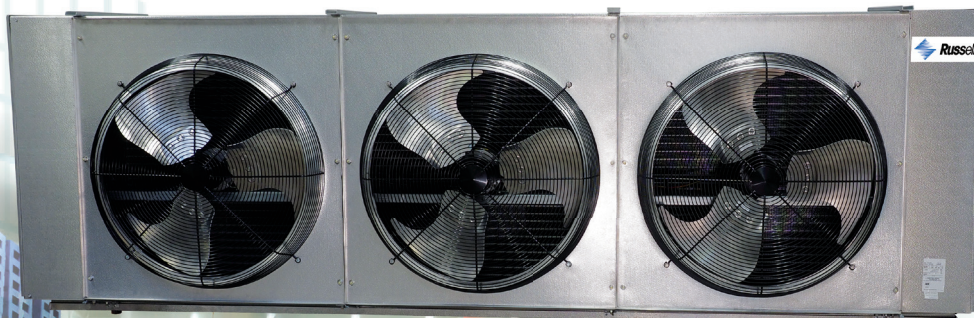


Publication No. RU-RWX-1120A  
Replaces RU-RWX-0820A

# WAREHOUSE UNIT COOLER

Medium to Large Walk-Ins  
Cooler and Freezer Applications

Designed for Walk-in Coolers and Freezers in boxes 3,000 sq. ft. and larger



Air Defrost  
34,500 to 282,500 BTUH

Electric Defrost  
36,400 to 246,100 BTUH

Hot Gas Defrost  
36,400 to 246,100 BTUH



Models are designed exclusively for use in walk-in coolers and freezers  
3,000 sq. ft and larger and fall outside of the July 2020 Department of  
Energy Annual Walk-in Energy Factor (AWEF) regulations

# WAREHOUSE UNIT COOLER

## Features

Russell's Warehouse Unit Coolers are the ideal evaporator solution for large walk-in coolers and freezers. Designed with efficiency, performance and service in mind, the Warehouse Unit Cooler line is optimized to cover Cold Storage applications in the most effective way. The Warehouse units feature rail-mount three-phase motors with standard or high static pressure prop fan blades. All units are circuited for multiple refrigerants and feature optimized circuit patterns to maximize performance. Warehouse Unit Coolers have several enhanced service features including rail-mount motors, new high efficiency fan and venturi designs, enhanced surface coil tubing, easily removable fan guards and modular fan panels, face mount defrost heaters, hinged drain pans and shipping pallets designed to facilitate easy installation.

*Warehouse Unit Coolers are designed exclusively for applications 3,000 sq. ft and larger.*

### SIZES

There are a wide array of sizes to match your specific application requirements ranging from 34,500 to 282,500 BTUH at a 10°TD. Models are available with air flow spanning a range of 6,875 to 27,500 CFM.

### HOUSING

Each unit is constructed with a rust-free, heavy gauge, textured, aluminum housing which is light weight yet extremely durable. Models feature hinged drain pans to allow for convenient servicing and maintenance. Pre-drilled hanger holes are provided on all units for fast installation.

### COIL

Seamless copper tubes are staggered and mechanically expanded into heavy gauge corrugated aluminum fins to assure maximum heat transfer. Die formed fin collars are provided for accurate fin spacing. Heavy gauge hangers are fastened directly to the tube sheet of the coil to provide high structural strength. Electric Defrost and Hot Gas Defrost Models are available in both 6 FPI and 4 FPI.

### MOTORS

Models are offered with three-phase motors with standard or high static pressure prop fan blades. If you require a High-Static fan blade in an application above freezing, please contact factory.

### FANS & FAN GUARDS

Powerful heavy-duty aluminum fans are individually balanced to provide vibration free operation. Standard heavy-gauge wire fan guards are UL/cUL-approved epoxy coated for corrosion resistance. High static pressure prop fan blades are also available. Air throw for Warehouse Unit Coolers is 120 ft. with standard fan.

### REFRIGERANTS

Large Unit Coolers are optimized for multiple refrigerants including R404A, R407A, R448A, R449A and R744 DX (CO<sub>2</sub>). Please specify system refrigerant requirements when ordering. A separate compartment is provided for all refrigerant connections which allows ample room for internal mounting of expansion valves.

### ELECTRICAL

Available in 208-230V/3, 460V/3 or 575/3. A large compartment is supplied for all electrical components and is easily accessible by removing the end panel. All models are UL and cUL listed.

### AIR DEFROST

Air Defrost models (RW6A) are designed for use in coolers at +35°F and warmer.

### ELECTRIC DEFROST

Electric Defrost models (RW6E or RW4E) are designed for use in coolers and freezers between 35°F to -30°F. Defrost heaters are mounted on the air intake side of the unit for optimal performance and easy maintenance. A lower heater is installed inside the drain pan for fast, reliable drainage. Fixed defrost termination, fan delay and heater safety controls are factory mounted for optimum performance of each control function.

### HOT GAS DEFROST

There are two types of Hot Gas Defrost models available: 3-pipe Hot Gas models (RW\*H or RW\*K) and 2-pipe Hot Gas Reverse Cycle units (RW\*G or RW\*L). Hot Gas Defrost models are designed for use in coolers and freezers between 35°F and -30°F. Models are offered with electric or hot gas drain pans. All units include fixed defrost termination and fan delay controls which are factory mounted for optimum performance of each control function. Refer to the current Russell Technical Bulletin for piping. Reverse Cycle units can also be used for Alternating Evaporator Systems.

## Optional Features

- EcoNet® Enabled Controller<sup>1</sup> (factory-installed)
- EcoNet® Command Center (loose)
- Reverse Connections
- Thermostat - Mechanical or Electric (mounted or loose)
- Thermostatic Expansion Valve (mounted or loose)
- Electronic Expansion Valve (mounted or loose)
- Liquid Line Solenoid Valve (mounted or loose)
- Insulated Drain Pan
- Painted Cabinet (White or Black)
- Coated Cabinet
- Stainless Steel Cabinet
- Coated Coil (Bronz-Glow, or Electrofin®)
- Heat Exchanger (loose)

### Notes

1. EcoNet Control Package includes: EEV; suction pressure transducer; suction; entering air coil temp. thermistors; thru-the-door disconnect switch; local on-board two-row backlit LCD display and push-button adjustments. (Controller replaces TXV, liquid line solenoid valve, room thermostat, defrost termination and fan delay, and time clock.)

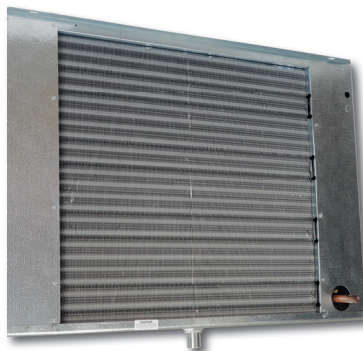
# WAREHOUSE UNIT COOLER

## Highlighted Features and Options



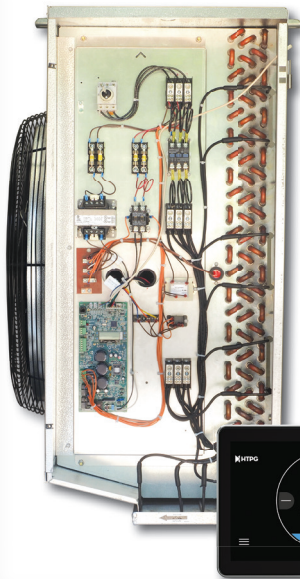
### FANS AND HOUSING


- 30" heavy duty aluminum fans are balanced for vibration-free operation
- High efficiency deep draw venturi provide optimal air flow
- Hinged panels that can easily be removed
- NSF approved




### COILS AND DEFROST HEATERS

- Available in 4 or 6 fins per inch (FPI)
- Electric defrost heaters are mounted on the air intake coil face to provide optimal performance and easy service access
- The drain pan heater is affixed to the drain pan and is easily accessed for service or cleaning





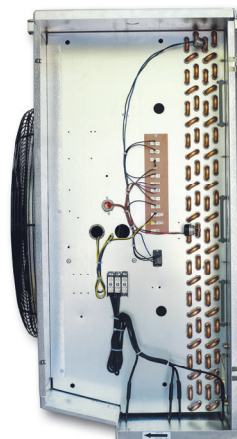


### ECONET ENABLED UNIT COOLERS (Optional)

- Developed in conjunction with Rheem Manufacturing specifically for walk-in coolers and freezers — it builds on the reliability and efficiency of Rheem's EcoNet technology
- Saves energy in refrigeration systems through precise superheat and space temperature control, fan cycling, and controlling how often the system goes into defrost based on compressor runtime
- Eliminates unnecessary defrosts
  - Maximizes energy efficiency with less compressor runtime
  - Reduces fan speed to 50% during off cycle for energy savings
- Can be used with a condensing unit in single and multiple evaporator installations as a group
- Optional **EcoNet Command Center** with intuitive graphical interface controls up to 32 devices (including the Command Center) through one display, provides continuous communication between system components, and the remote mount display allows for EcoNet Enabled Unit Coolers to be programmed, monitored and troubleshot outside of the space being cooled

### ELECTRICAL AND PIPING

- End panels slide out for easy service from the front or sides of the unit
- Ample room in electrical and piping compartments for easy access



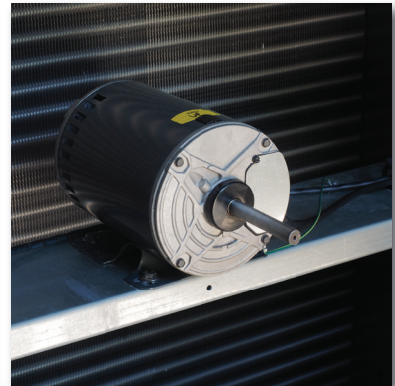
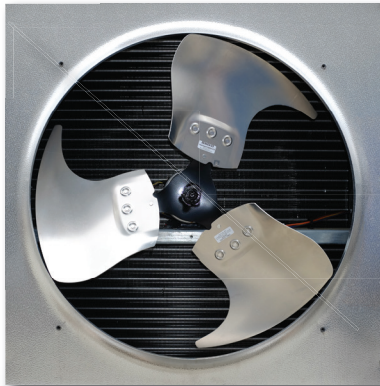
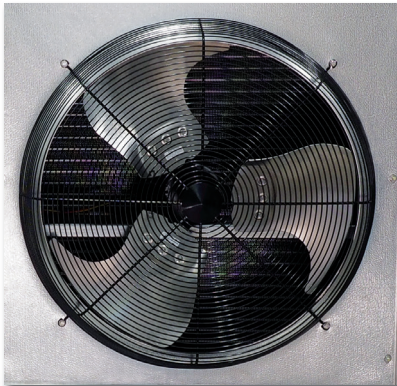
# WAREHOUSE UNIT COOLER

## MODEL NUMBER NOMENCLATURE

### CONFIGURABLE BASE MODEL

R	W	6	E	143	E	T	A
Brand	Style	Fins Per Inch (FPI)	Defrost Type	BTUH in Thousands	Unit Voltage	Motor Type	Vintage
R = Russell	W = Warehouse Z = Opposite Hand W (LEFT)	4 6	A = Air E = Electric H = Hot Gas 3-Pipe with Electric Drain Pan G = Hot Gas Reverse with Electric Drain Pan K = Hot Gas 3-Pipe with Hot Gas Drain Pan L = Hot Gas Reverse with Hot Gas Drain Pan		E = 208-230/3/60 G = 460/3/60 J = 575/3/60	T = Three Phase H = Three Phase with High-Static (Pressure Prop) Fan Blades. If you require a High-Static fan blade in an application above freezing, please contact factory.	

Fan guards easily removable for quick access to fan blades and rail-mounted motors



# WAREHOUSE UNIT COOLER

## Application Rating and Electrical Data - Air Defrost Models - Three-Phase Motor - 6 FPI

Model Number	BTUH Capacity @ 25°F S.T. & 10°F TD		CFM	No. of Fans	Total Fan Motor AMPS		
	R404A / R744 DX (CO <sub>2</sub> )	R407A/ R448A/ R449A <sup>^</sup>			Three-Phase Motor		
					Motor Voltage		
					208-230V/3	460V/3	575/3
RW6A034*TA	34,500	40,400	7,080	1	4.1	2.0	2.5
RW6A047*TA	47,000	55,000	7,010				
RW6A058*TA	58,200	68,900	6,875				
RW6A069*TA	69,600	80,900	14,160	2	8.2	4.0	5.0
RW6A094*TA	94,500	111,500	14,030				
RW6A117*TA	117,200	138,800	13,750				
RW6A143*TA	143,100	167,000	21,040	3	12.3	6.0	7.5
RW6A176*TA	176,000	207,500	20,625				
RW6A190*TA	190,100	226,100	28,050	4	16.4	8.0	10.0
RW6A234*TA	234,900	282,500	27,500				

Model Number	208-230V/3				460V/3 & 575V/3			
	MCA		MOPD		MCA		MOPD	
	Base Model	EcoNet Enabled <sup>1</sup>	Base Model	EcoNet Enabled <sup>1</sup>	Base Model	EcoNet Enabled <sup>1</sup>	Base Model	EcoNet Enabled <sup>1</sup>
RW6A034*TA	15.0	15.0	20	20	15.0	15.0	20	20
RW6A047*TA								
RW6A058*TA								
RW6A069*TA	15.0	15.0	20	20	15.0	15.0	20	20
RW6A094*TA								
RW6A117*TA								
RW6A143*TA	15.0	15.0	20	20	15.0	15.0	20	20
RW6A176*TA								
RW6A190*TA	17.4	19.4	20	20	15.0	15.0	20	20
RW6A234*TA								

\* Each asterisk represents a variable character based on voltage ordered. See page 4 for nomenclature.

<sup>^</sup> R407A, R448A and R449A are rated at dew point temperature. Use R407A capacity ratings for R407C and R407F.

1. EcoNet Enabled Units are not powered by Condensing Unit so Defrost Heaters are incorporated into shown MCA/MOPD.

Warehouse models are designed exclusively for use in walk-in coolers and freezers 3,000 sq. ft and larger and fall outside of the July 2020 Department of Energy Annual Walk-in Energy Factor (AWEF) regulations.

# WAREHOUSE UNIT COOLER

## Application Rating and Electrical Data - Electric Defrost Models - Three-Phase Motor

Model Number	BTUH Capacity @ -20°F S.T. & 10°F TD		CFM	No. of Fans	Total Fan Motor AMPS		
	R404A / R744 DX (CO <sub>2</sub> )	R407A/ R448A/ R449A <sup>^</sup>			Three-Phase Motor		
					Motor Voltage		
					208-230V/3	460V/3	575/3

### 6 FPI

RW6E036*TA	36,400	41,900	7,080	1	4.1	2.0	2.5
RW6E047*TA	47,900	54,600	7,010				
RW6E059*TA	59,200	67,900	6,875				
RW6E072*TA	72,500	83,500	14,160	2	8.2	4.0	5.0
RW6E096*TA	96,100	109,400	14,030				
RW6E120*TA	120,000	137,200	13,750				
RW6E143*TA	143,600	163,100	21,040	3	12.3	6.0	7.5
RW6E179*TA	179,500	206,600	20,625				
RW6E216*TA	216,200	246,100	27,500	4	16.4	8.0	10.0

### 4 FPI

RW4E038*TA	38,300	43,600	7,010	1	4.1	2.0	2.5
RW4E048*TA	48,900	56,000	6,875				
RW4E077*TA	77,300	88,600	14,030	2	8.2	4.0	5.0
RW4E097*TA	97,000	111,000	13,750				
RW4E115*TA	115,600	131,200	21,040	3	12.3	6.0	7.5
RW4E145*TA	145,700	166,400	20,625				
RW4E182*TA	182,200	206,500	27,500	4	16.4	8.00	10

Model Number	208-230V/3				Heater Amps			Heater Watts
	MCA		MOPD		208-230V/3			
	Base Model	EcoNet Enabled <sup>2</sup>	Base Model	EcoNet Enabled <sup>2</sup>	No. of Circuits	Amps Each Circuit	Total Heater Amps	

### 6 FPI

RW6E036ETA	15.0	16.4	20	20	1	14.4	14.4	6,000
RW6E047ETA								
RW6E059ETA								
RW6E072ETA	15.0	30.9	20	35	1	28.9	28.9	12,000
RW6E096ETA								
RW6E120ETA								
RW6E143ETA	15.0	45.3	20	50	1	43.3	43.3	18,000
RW6E179ETA								
RW6E216ETA	17.4	59.7	20	60	2	28.9	57.7	24,000

### 4 FPI

RW4E038ETA	15.0	16.4	20	20	1	14.4	14.4	6,000
RW4E048ETA								
RW4E077ETA	15.0	30.9	20	35	1	28.9	28.9	12,000
RW4E097ETA								
RW4E115ETA	15.0	45.3	20	50	1	43.3	43.3	18,000
RW4E145ETA								
RW4E182ETA	17.4	59.7	20	60	2	28.9	57.7	24,000

See notes on page 8.

# WAREHOUSE UNIT COOLER

## Application Rating and Electrical Data - Electric Defrost Models - Three-Phase Motor cont.

Model Number	460V/3				Heater Amps			Heater Watts
	MCA		MOPD		460V/3			
	Base Model	EcoNet Enabled <sup>2</sup>	Base Model	EcoNet Enabled <sup>2</sup>	No. of Circuits	Amps Each Circuit	Total Heater Amps	

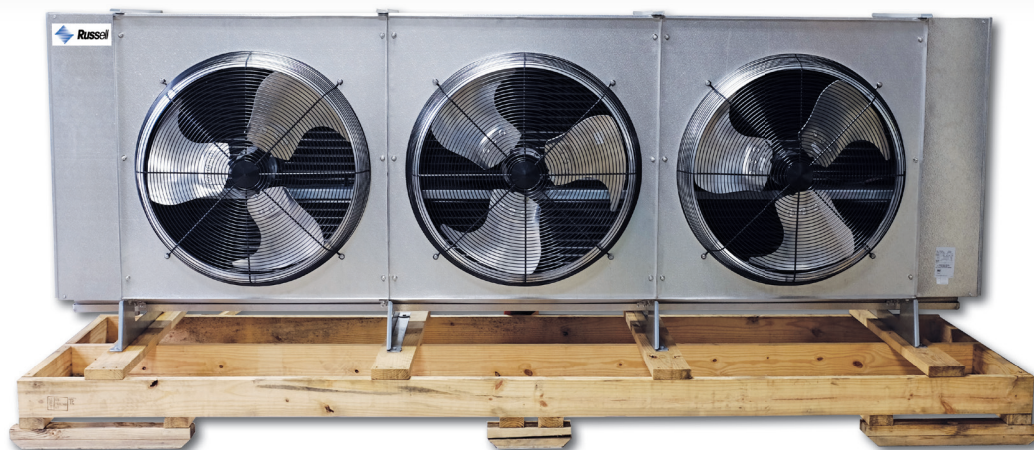
### 6 FPI

RW6E036GTA RW6E047GTA RW6E059GTA	15.0	15.0	20	20	1	7.5	7.5	6,000
RW6E072GTA RW6E096GTA RW6E120GTA	15.0	16.1	20	20	1	15.1	15.1	12,000
RW6E143GTA RW6E179GTA	15.0	23.6	20	25	1	22.6	22.6	18,000
RW6E216GTA	15.0	31.1	20	35	1	30.1	30.1	24,000

### 4 FPI

RW4E038GTA RW4E048GTA	15.0	15.0	20	20	1	7.5	7.5	6,000
RW4E077GTA RW4E097GTA	15.0	16.1	20	20	1	15.1	15.1	12,000
RW4E115GTA RW4E145GTA	15.0	23.6	20	25	1	22.6	22.6	18,000
RW4E182GTA	15.0	31.1	20	35	1	30.1	30.1	24,000

See notes on page 8.



**Supports are bolted to pallet and unit cooler  
for product safety and quicker installation**

# WAREHOUSE UNIT COOLER

## Application Rating and Electrical Data - Electric Defrost Models - Three-Phase Motor cont.

Model Number	575V/3				Heater Amps			Heater Watts
	MCA		MOPD		575V/3			
	Base Model	EcoNet Enabled <sup>2</sup>	Base Model	EcoNet Enabled <sup>2</sup>	No. of Circuits	Amps Each Circuit	Total Heater Amps	

### 6 FPI

RW6E036JTA RW6E047JTA RW6E059JTA	15.0	15.0	20	20	1	6.0	6.0	6,000
RW6E072JTA RW6E096JTA RW6E120JTA	15.0	15.0	20	20	1	12.0	12.0	12,000
RW6E143JTA RW6E179JTA	15.0	19.1	20	25	1	18.1	18.1	18,000
RW6E216JTA	15.0	25.1	20	30	1	24.1	24.1	24,000

### 4 FPI

RW4E038JTA RW4E048JTA	15.0	15.0	20	20	1	6.0	6.0	6,000
RW4E077JTA RW4E097JTA	15.0	15.0	20	20	1	12.0	12.0	12,000
RW4E115JTA RW4E145JTA	15.0	19.1	20	25	1	18.1	18.1	18,000
RW4E182JTA	15.0	25.1	20	30	1	24.1	24.1	24,000

Notes:

1.

Capacity Correction for Electric and Hot Gas Defrost Evaporators						
S.S.T. (Dew)	20°F	0°F	-10°F	-20°F	-30°F	-40°F
Multiply Capacity by:	1.15	1.075	1.0375	1	0.9625	0.925

2. EcoNet Enabled Units are not powered by Condensing Unit so Defrost Heaters are incorporated into shown MCA/MOPD.

\* Each asterisk represents a variable character based on voltage ordered. See page 4 for nomenclature.

^ R407A, R448A and R449A are rated at dew point temperature. Use R407A capacity ratings for R407C and R407F.

High static models are capable of .35" H2O external static pressure for duct or air flow accessories. Models with High-Static fan blade should not be used without the addition of an external device.

Warehouse models are designed exclusively for use in walk-in coolers and freezers 3,000 sq. ft and larger and fall outside of the July 2020 Department of Energy Annual Walk-in Energy Factor (AWEF) regulations.



# WAREHOUSE UNIT COOLER

## Application Rating and Electrical Data - Electric Defrost Models - Three-Phase Motor with High-Static Fan Blades

Model Number	BTUH Capacity @ -20°F S.T. & 10°F TD		CFM	No. of Fans	Total Fan Motor AMPS		
	R404A / R744 DX (CO <sub>2</sub> )	R407A/ R448A/ R449A <sup>^</sup>			Three-Phase Motor with High-Static Fan Blades		
					Motor Voltage		
					208-230V/3	460V/3	575/3

### 6 FPI

RW6E036*HA	36,400	41,900	7,080	1	6.4	3.2	3.0
RW6E047*HA	47,900	54,600	7,010				
RW6E059*HA	59,200	67,900	6,875				
RW6E072*HA	72,500	83,500	14,160	2	12.8	6.4	6.0
RW6E096*HA	96,100	109,400	14,030				
RW6E120*HA	120,000	137,200	13,750				
RW6E143*HA	143,600	163,100	21,040	3	19.2	9.6	9.0
RW6E179*HA	179,500	206,600	20,625				
RW6E216*HA	216,200	246,100	27,500				

### 4 FPI

RW4E038*HA	38,300	43,600	7,010	1	6.4	3.2	3.0
RW4E048*HA	48,900	56,000	6,875				
RW4E077*HA	77,300	88,600	14,030	2	12.8	6.4	6.0
RW4E097*HA	97,000	111,000	13,750				
RW4E115*HA	115,600	131,200	21,040	3	19.2	9.6	9.0
RW4E145*HA	145,700	166,400	20,625				
RW4E182*HA	182,200	206,500	27,500	4	25.6	12.8	12.0

Model Number	208-230V/3				Heater Amps			Heater Watts
	MCA		MOPD		208-230V/3			
	Base Model	EcoNet Enabled <sup>2</sup>	Base Model	EcoNet Enabled <sup>2</sup>	No. of Circuits	Amps Each Circuit	Total Heater Amps	

### 6 FPI

RW6E036EHA	15.0	16.4	20	20	1	14.4	14.4	6,000
RW6E047EHA								
RW6E059EHA								
RW6E072EHA	15.0	30.9	20	35	1	28.9	28.9	12,000
RW6E096EHA								
RW6E120EHA								
RW6E143EHA	20.8	45.3	25	50	1	43.3	43.3	18,000
RW6E179EHA								
RW6E216EHA	27.2	59.7	30	60	2	28.9	57.7	24,000

### 4 FPI

RW4E038EHA	15.0	16.4	20	20	1	14.4	14.4	6,000
RW4E048EHA								
RW4E077EHA	15.0	30.9	20	35	1	28.9	28.9	12,000
RW4E097EHA								
RW4E115EHA	20.8	45.3	25	50	1	43.3	43.3	18,000
RW4E145EHA								
RW4E182EHA	27.2	59.7	30	60	2	28.9	57.7	24,000

See notes on page 8.

# WAREHOUSE UNIT COOLER

## Application Rating and Electrical Data - Electric Defrost Models - Three-Phase Motor with High-Static Fan Blades cont.

Model Number	460V/3				Heater Amps			Heater Watts
	MCA		MOPD		460V/3			
	Base Model	EcoNet Enabled <sup>2</sup>	Base Model	EcoNet Enabled <sup>2</sup>	No. of Circuits	Amps Each Circuit	Total Heater Amps	

### 6 FPI

RW6E036GHA RW6E047GHA RW6E059GHA	15.0	15.0	20	20	1	7.5	7.5	6,000
RW6E072GHA RW6E096GHA RW6E120GHA	15.0	16.1	20	20	1	15.1	15.1	12,000
RW6E143GHA RW6E179GHA	15.0	23.6	20	25	1	22.6	22.6	18,000
RW6E216GHA	15.0	31.1	20	35	1	30.1	30.1	24,000

### 4 FPI

RW4E038GHA RW4E048GHA	15.0	15.0	20	20	1	7.5	7.5	6,000
RW4E077GHA RW4E097GHA	15.0	16.1	20	20	1	15.1	15.1	12,000
RW4E115GHA RW4E145GHA	15.0	23.6	20	25	1	22.6	22.6	18,000
RW4E182GHA	15.0	31.1	20	35	1	30.1	30.1	24,000

Model Number	575V/3				Heater Amps			Heater Watts
	MCA		MOPD		575V/3			
	Base Model	EcoNet Enabled <sup>2</sup>	Base Model	EcoNet Enabled <sup>2</sup>	No. of Circuits	Amps Each Circuit	Total Heater Amps	

### 6 FPI

RW6E036JHA RW6E047JHA RW6E059JHA	15.0	15.0	20	20	1	6.0	6.0	6,000
RW6E072JHA RW6E096JHA RW6E120JHA	15.0	15.0	20	20	1	12.0	12.0	12,000
RW6E143JHA RW6E179JHA	15.0	19.1	20	25	1	18.1	18.1	18,000
RW6E216JHA	15.0	25.1	20	30	1	24.1	24.1	24,000

### 4 FPI

RW4E038JHA RW4E048JHA	15.0	15.0	20	20	1	6.0	6.0	6,000
RW4E077JHA RW4E097JHA	15.0	15.0	20	20	1	12.0	12.0	12,000
RW4E115JHA RW4E145JHA	15.0	19.1	20	25	1	18.1	18.1	18,000
RW4E182JHA	15.0	25.1	20	30	1	24.1	24.1	24,000

See notes on page 8.

# WAREHOUSE UNIT COOLER

## Performance and Electrical Data - Hot Gas 3-Pipe Defrost Models - Three-Phase Motor

Hot Gas Model Number (RW*H, RW*K)	BTUH Capacity @ -20°F S.T. & 10°F TD <sup>1</sup>		CFM	No. of Fans	Total Fan Motor AMPS			MCA		
	R404A	R407A/ R448A/ R449A <sup>^</sup>			Three-Phase Motor			208-230V/3	460V/3	575V/3
					208-230V/3	460V/3	575V/3			

### 6 FPI

RW6*036*TA	36,400	41,900	7,080	1	4.1	2.0	2.5	15.0	15.0
RW6*047*TA	47,900	54,600	7,010						
RW6*059*TA	59,200	67,900	6,875						
RW6*072*TA	72,500	83,500	14,160	2	8.2	4.0	5.0	15.0	15.0
RW6*096*TA	96,100	109,400	14,030						
RW6*120*TA	120,000	137,200	13,750						
RW6*143*TA	143,600	163,100	21,040	3	12.3	6.0	7.5	15.0	15.0
RW6*179*TA	179,500	206,600	20,625						
RW6*216*TA	216,200	246,100	27,500	4	16.4	8.0	10.0	17.4	15.0

### 4 FPI

RW4*038*TA	38,300	43,600	7,010	1	4.1	2.0	2.5	15.0	15.0
RW4*048*TA	48,900	56,000	6,875						
RW4*077*TA	77,300	88,600	14,030	2	18.2	4.0	5.0	15.0	15.0
RW4*097*TA	97,000	111,000	13,750						
RW4*115*TA	115,600	131,200	21,040	3	12.3	6.0	7.5	15.0	15.0
RW4*145*TA	145,700	166,400	20,625						
RW4*182*TA	182,200	206,500	27,500	4	16.4	8.0	10.0	17.4	15.0

Hot Gas Model Number (RW*H, RW*K)	MOPD	Electric Drain Pan Heater Amps			Heater Watts
		208-230V/1	460V/1	575V/1	

### 6 FPI

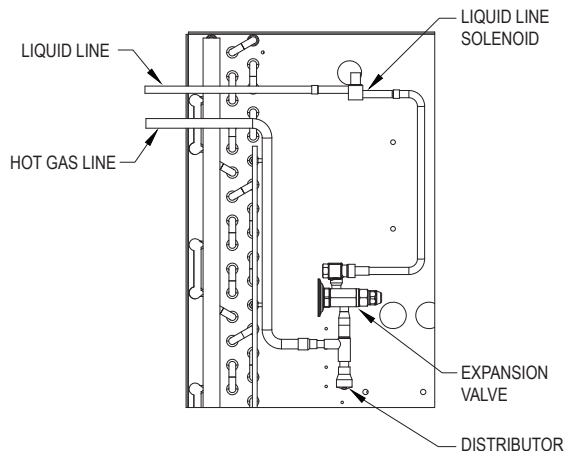
RW6*036*TA	20	8.3	4.3	2.0	2,000
RW6*047*TA					
RW6*059*TA					
RW6*072*TA	20	16.7	8.7	4.0	4,000
RW6*096*TA					
RW6*120*TA					
RW6*143*TA	20	25.0	13.0	6.0	6,000
RW6*179*TA					
RW6*216*TA	20	33.3	17.4	8.0	8,000

### 4 FPI

RW4*038*TA	20	8.3	4.3	2.0	2,000
RW4*048*TA					
RW4*077*TA	20	16.7	8.7	4.0	4,000
RW4*097*TA					
RW4*115*TA	20	25.0	13.0	6.0	6,000
RW4*145*TA					
RW4*182*TA	20	33.3	17.4	8.0	8,000

### Hot Gas 3-Pipe Model

The system uses 3 pipes — 1 for liquid line, 1 for suction line and 1 for hot gas. The hot gas is taken from the discharge line, between the compressor and the condenser, through a hot-gas solenoid valve to the distributor tee then through the coil.



\* Each asterisk represents a variable character based on defrost and voltage ordered. Hot Gas 3-Pipe Version (H - Hot Gas Defrost 3-Pipe with Electric Drain Pan Heater, K - Hot Gas Defrost 3-Pipe with Hot Gas Drain Pan). See page 4 for nomenclature.

1. See capacity correction table and additional notes on page 8.

# WAREHOUSE UNIT COOLER

## Performance and Electrical Data - Hot Gas 3-Pipe Defrost Models - Three-Phase Motor with High-Static Fan Blades

Hot Gas Model Number (RW*H, RW*K)	BTUH Capacity @ -20°F S.T. & 10°F TD <sup>1</sup>		CFM	No. of Fans	Total Fan Motor AMPS			MCA		
	R404A	R407A/ R448A/ R449A <sup>^</sup>			Three-Phase Motor with High-Static Fan Blades			208-230V/3	460V/3	575V/3
					208-230V/3	460V/3	575V/3			

### 6 FPI

RW6*036*HA	36,400	41,900	7,080	1	6.4	3.2	3.0	15.0	15.0
RW6*047*HA	47,900	54,600	7,010						
RW6*059*HA	59,200	67,900	6,875						
RW6*072*HA	72,500	83,500	14,160	2	12.8	6.4	6.0	15.0	15.0
RW6*096*HA	96,100	109,400	14,030						
RW6*120*HA	120,000	137,200	13,750						
RW6*143*HA	143,600	163,100	21,040	3	19.2	9.6	9.0	20.8	15.0
RW6*179*HA	179,500	206,600	20,625						
RW6*216*HA	216,200	246,100	27,500						

### 4 FPI

RW4*038*HA	38,300	43,600	7,010	1	6.4	3.2	3.0	15.0	15.0
RW4*048*HA	48,900	56,000	6,875						
RW4*077*HA	77,300	88,600	14,030	2	12.8	6.4	6.0	15.0	15.0
RW4*097*HA	97,000	111,000	13,750						
RW4*115*HA	115,600	131,200	21,040	3	19.2	9.6	9.0	20.8	15.0
RW4*145*HA	145,700	166,400	20,625						
RW4*182*HA	182,200	206,500	27,500	4	25.6	12.8	12.0	27.2	15.0

Hot Gas Model Number (RW*H, RW*K)	MOPD		Electric Drain Pan Heater Amps			Heater Watts
	208-230V/3	460V/3 575V/3	208-230V/1	460V/1	575V/1	

### 6 FPI

RW6*036*HA	20	20	8.3	4.3	2.0	2,000
RW6*047*HA						
RW6*059*HA						
RW6*072*HA	20	20	16.7	8.7	4.0	4,000
RW6*096*HA						
RW6*120*HA						
RW6*143*HA	25	20	25.0	13.0	6.0	6,000
RW6*179*HA						
RW6*216*HA	30	20	33.3	17.4	8.0	8,000

### 4 FPI

RW4*038*HA	20	20	8.3	4.3	2.0	2,000
RW4*048*HA						
RW4*077*HA	20	20	16.7	8.7	4.0	4,000
RW4*097*HA						
RW4*115*HA	25	20	25.0	13.0	6.0	6,000
RW4*145*HA						
RW4*182*HA	30	20	33.3	17.4	8.0	8,000

\* Each asterisk represents a variable character based on defrost and voltage ordered. Hot Gas 3-Pipe Version (H - Hot Gas Defrost 3-Pipe with Electric Drain Pan Heater, K - Hot Gas Defrost 3-Pipe with Hot Gas Drain Pan). See page 4 for nomenclature.

1. See capacity correction table and additional notes on page 8.

# WAREHOUSE UNIT COOLER

## Performance and Electrical Data - Hot Gas Reverse Cycle Defrost Models - Three-Phase Motor

Hot Gas Model Number (RW*G, RW*L)	BTUH Capacity @ -20°F S.T. & 10°F TD <sup>1</sup>		CFM	No. of Fans	Total Fan Motor AMPS			MCA		
	R404A	R407A/ R448A/ R449A <sup>^</sup>			Three-Phase Motor			208-230V/3	460V/3	575V/3
					208-230V/3	460V/3	575V/3			

### 6 FPI

RW6*036*TA	36,400	41,900	7,080	1	4.1	2.0	2.5	15.0	15.0
RW6*047*TA	47,900	54,600	7,010						
RW6*059*TA	59,200	67,900	6,875						
RW6*072*TA	72,500	83,500	14,160	2	8.2	4.0	5.0	15.0	15.0
RW6*096*TA	96,100	109,400	14,030						
RW6*120*TA	120,000	137,200	13,750						
RW6*143*TA	143,600	163,100	21,040	3	12.3	6.0	7.5	15.0	15.0
RW6*179*TA	179,500	206,600	20,625						
RW6*216*TA	216,200	246,100	27,500	4	16.4	8.0	10.0	17.4	15.0

### 4 FPI

RW4*038*TA	38,300	43,600	7,010	1	4.1	2.0	2.5	15.0	15.0
RW4*048*TA	48,900	56,000	6,875						
RW4*077*TA	77,300	88,600	14,030	2	8.2	4.0	5.0	15.0	15.0
RW4*097*TA	97,000	111,000	13,750						
RW4*115*TA	115,600	131,200	21,040	3	12.3	6.0	7.5	15.0	15.0
RW4*145*TA	145,700	166,400	20,625						
RW4*182*TA	182,200	206,500	27,500	4	16.4	8.0	10.0	17.4	15.0

Hot Gas Model Number (RW*G, RW*L)	MOPD	Electric Drain Pan Heater Amps			Heater Watts
		208-230V/1	460V/1	575V/1	

### 6 FPI

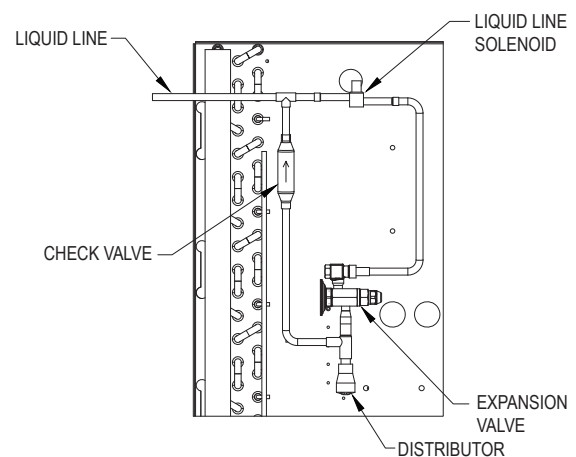
RW6*036*TA	20	8.3	4.3	2.0	2,000
RW6*047*TA					
RW6*059*TA					
RW6*072*TA	20	16.7	8.7	4.0	4,000
RW6*096*TA					
RW6*120*TA					
RW6*143*TA	20	25.0	13.0	6.0	6,000
RW6*179*TA					
RW6*216*TA	20	33.3	17.4	8.0	8,000

### 4 FPI

RW4*038*TA	20	8.3	4.3	2.0	2,000
RW4*048*TA					
RW4*077*TA	20	16.7	8.7	4.0	4,000
RW4*097*TA					
RW4*115*TA	20	25.0	13.0	6.0	6,000
RW4*145*TA					
RW4*182*TA	20	33.3	17.4	8.0	8,000

### Hot Gas Reverse Cycle 2-Pipe Model

A changeover valve is located in the discharge suction line of the compressor, so that when defrost is required, the valve changes over from the normal refrigeration flow so that the discharged gas flows into the suction connection and bypasses TX valve.



\* Each asterisk represents a variable character based on defrost and voltage ordered. Hot Gas Reverse Cycle (G - Hot Gas Defrost Reverse Cycle with Electric Drain Pan Heater, L - Hot Gas Defrost Reverse Cycle with Hot Gas Drain Pan). See page 4 for nomenclature.

1. See capacity correction table and additional notes on page 8.

# WAREHOUSE UNIT COOLER

## Performance and Electrical Data - Hot Gas Reverse Cycle Defrost Models - Three-Phase Motor with High-Static Fan Blades

Hot Gas Model Number (RW*G, RW*L)	BTUH Capacity @ -20°F S.T. & 10°F TD <sup>1</sup>		CFM	No. of Fans	Total Fan Motor AMPS			MCA		
	R404A	R407A/ R448A/ R449A <sup>^</sup>			Three-Phase Motor with High-Static Fan Blades			208-230V/3	460V/3	575V/3
					208-230V/3	460V/3	575V/3			

### 6 FPI

RW6*036*HA	36,400	41,900	7,080	1	6.4	3.2	3.0	15.0	15.0
RW6*047*HA	47,900	54,600	7,010						
RW6*059*HA	59,200	67,900	6,875						
RW6*072*HA	72,500	83,500	14,160	2	12.8	6.4	6.0	15.0	15.0
RW6*096*HA	96,100	109,400	14,030						
RW6*120*HA	120,000	137,200	13,750						
RW6*143*HA	143,600	163,100	21,040	3	19.2	9.6	9.0	20.8	15.0
RW6*179*HA	179,500	206,600	20,625						
RW6*216*HA	216,200	246,100	27,500						

### 4 FPI

RW4*038*HA	38,300	43,600	7,010	1	6.4	3.2	3.0	15.0	15.0
RW4*048*HA	48,900	56,000	6,875						
RW4*077*HA	77,300	88,600	14,030	2	12.8	6.4	6.0	15.0	15.0
RW4*097*HA	97,000	111,000	13,750						
RW4*115*HA	115,600	131,200	21,040	3	19.2	9.6	9.0	20.8	15.0
RW4*145*HA	145,700	166,400	20,625						
RW4*182*HA	182,200	206,500	27,500	4	25.6	12.8	12.0	27.2	15.0

Hot Gas Model Number (RW*G, RW*L)	MOPD		Electric Drain Pan Heater Amps			Heater Watts
	208-230V/3	460V/3 575V/3	208-230V/1	460V/1	575V/1	

### 6 FPI

RW6*036*HA						
RW6*047*HA	20	20	8.3	4.3	2.0	2,000
RW6*059*HA						
RW6*072*HA						
RW6*096*HA	20	20	16.7	8.7	4.0	4,000
RW6*120*HA						
RW6*143*HA	25	20	25.0	13.0	6.0	6,000
RW6*179*HA						
RW6*216*HA	30	20	33.3	17.4	8.0	8,000

### 4 FPI

RW4*038*HA						
RW4*048*HA	20	20	8.3	4.3	2.0	2,000
RW4*077*HA						
RW4*097*HA	20	20	16.7	8.7	4.0	4,000
RW4*115*HA						
RW4*145*HA	25	20	25.0	13.0	6.0	6,000
RW4*182*HA						
RW4*182*HA	30	20	33.3	17.4	8.0	8,000

\* Each asterisk represents a variable character based on defrost and voltage ordered. Hot Gas Reverse Cycle (G - Hot Gas Defrost Reverse Cycle with Electric Drain Pan Heater, L - Hot Gas Defrost Reverse Cycle with Hot Gas Drain Pan). See page 4 for nomenclature.

1. See capacity correction table and additional notes on page 8.

# WAREHOUSE UNIT COOLER

## Distributor Nozzle and Expansion Valves - Air Defrost Models

Model Number	Part Numbers						No. of Circuits
	Nozzle @ Liq. Temp.		TXV <sup>^</sup> @ Liq. Temp.		EEV @ Liq. Temp.		
	50°F	100°F	50°F	100°F	50°F	100°F	

### R404A

6 FPI	RW6A034**	G#1-1/2	G#4	SBFSE-B-C	SBFSE-C-C	SER-C	SER-C	6
	RW6A047**	G#1-1/2	G#5	SBFSE-C-C	OSE-6-C	SER-C	SER-C	6
	RW6A058**	E#2	E#6	OSE-6-C	OSE-6-C	SER-C	SER-D	12
	RW6A069**	E#2-1/2	E#10	OSE-6-C	OSE-6-C	SER-C	SER-D	9
	RW6A094**	C#3	C#12	OSE-6-C	OSE-9-C	SER-D	SER-D	18
	RW6A117**	C#4	C#15	OSE-9-C	OSE-9-C	SER-D	SERI-F	18
	RW6A143**	C#5	C#20	OSE-9-C	OSE-12-C	SER-D	SERI-F	18
	RW6A176**	C#6	C#25	OSE-12-C	OSE-21-C	SERI-F	SERI-G	24
	RW6A190**	A#8	A#25	OSE-12-C	OSE-21-C	SERI-F	SERI-G	27
RW6A234**	A#10	A#30	OSE-12-C	OSE-21-C	SERI-F	SERI-G	36	

### R407A/ R448A/ R449A†

6 FPI	RW6A034**	G#1-1/2	G#4	SBFDE-B-C	SBFDE-C-C	SER-B	SER-C	6
	RW6A047**	G#1-1/2	G#5	SBFDE-C-C	SBFDE-C-C	SER-C	SER-C	6
	RW6A058**	E#2	E#6	SBFDE-C-C	EBSDE-7-C	SER-C	SER-C	12
	RW6A069**	E#2-1/2	E#8	SBFDE-C-C	EBSDE-7-C	SER-C	SER-D	9
	RW6A094**	C#4	C#12	EBSDE-7-C	EBSDE-10-C	SER-D	SER-D	18
	RW6A117**	C#4	C#15	EBSDE-7-C	ODE-12-C	SER-D	SERI-F	18
	RW6A143**	C#5	C#17	EBSDE-10-C	ODE-12-C	SER-D	SERI-F	18
	RW6A176**	C#6	C#20	EBSDE-12-C	ODE-17-C	SERI-F	SERI-F	24
	RW6A190**	A#8	A#25	EBSDE-12-C	ODE-17-C	SERI-F	SERI-G	27
RW6A234**	A#10	A#30	EBSDE-17-C	ODE-28-C	SERI-F	SERI-G	36	

Note: The distributor lines are 1/4" tube & 31" long.

\* Each asterisk represents a variable character based on voltage and motor ordered. See page 4 for nomenclature.

^ TXV selections are based on +25°F suction temp., 8°F to 12°F evaporator TD. Contact factory for operating conditions outside of this range.

† SBFDE, ODE, and EBSDE expansion valves are compatible with R407A, R448A and R449A/B. For other valves, follow manufacturers selection guidelines.

Base models (no factory-mounted components) include nozzles sized for 100°F liquid shipped loose.



Russell's Warehouse Unit Cooler can be used in combination with Next-Gen II Condensing Units to provide complete refrigeration solutions for medium and large walk-ins 3,000 sq. ft. and larger

# WAREHOUSE UNIT COOLER

## Distributor Nozzle and Expansion Valves - Electric Defrost Models

Model Number	Part Numbers						No. of Circuits
	Nozzle @ Liq. Temp.		TXV <sup>^</sup> @ Liq. Temp.		EEV @ Liq. Temp.		
	50°F	100°F	50°F	100°F	50°F	100°F	

### R404A

6 FPI	RW6E036**	E#3	E#8	SBFSE-C-Z	EBSSE-6-Z	SER-C	SER-C	9
	RW6E047**	E#4	E#10	OSE-6-Z	EBSSE-7-1/2-Z	SER-C	SER-C	9
	RW6E059**	E#5	E#12	OSE-6-Z	EBSSE-10-Z	SER-C	SER-D	12
	RW6E072**	C#6	C#17	OSE-6-Z	EBSSE-10-Z	SER-C	SER-D	18
	RW6E096**	C#10	C#20	OSE-9-Z	EBSSE-13-Z	SER-D	SER-D	18
	RW6E120**	C#12	C#25	OSE-12-Z	OSE-21-Z	SER-D	SERI-F	24
	RW6E143**	A#15	A#35	OSE-12-Z	OSE-30-Z	SER-D	SERI-F	27
	RW6E179**	A#17	A#40	OSE-21-Z	OSE-30-Z	SERI-F	SERI-G	36
RW6E216**	A#20	A#50	OSE-35-Z	OSE-45-Z	SERI-F	SERI-G	36	
4 FPI	RW4E038**	E#3	E#8	SBFSE-C-Z	OSE-6-Z	SER-C	SER-C	9
	RW4E048**	E#4	E#12	OSE-6-Z	OSE-6-Z	SER-C	SER-C	12
	RW4E077**	C#8	C#17	OSE-9-Z	OSE-12-Z	SER-C	SER-D	18
	RW4E097**	C#10	C#20	OSE-9-Z	OSE-12-Z	SER-D	SER-D	24
	RW4E115**	A#12	A#30	OSE-12-Z	OSE-21-Z	SER-D	SERI-F	27
	RW4E145**	A#15	A#35	OSE-12-Z	OSE-30-Z	SER-D	SERI-F	36
RW4E182**	A#20	A#40	OSE-21-Z	OSE-30-Z	SERI-F	SERI-G	36	

### R407A/ R448A/ R449A†

6 FPI	RW6E036**	E#2-1/2	E#6	SBFDE-C-Z	ODE-7-Z	SER-B	SER-C	9
	RW6E047**	E#4	E#8	EBSDE-7-Z	ODE-12-Z	SER-C	SER-C	9
	RW6E059**	E#5	E#12	EBSDE-7-Z	ODE-12-Z	SER-C	SER-C	12
	RW6E072**	C#6	C#15	EBSDE-10-Z	ODE-12-Z	SER-C	SER-D	18
	RW6E096**	C#8	C#17	ODE-12-Z	ODE-17-Z	SER-D	SER-D	18
	RW6E120**	C#12	C#25	ODE-17-Z	ODE-28-Z	SER-D	SER-D	24
	RW6E143**	A#15	A#30	ODE-17-Z	ODE-28-Z	SER-D	SERI-F	27
	RW6E179**	A#17	A#35	ODE-28-Z	ODE-40-Z	SERI-F	SERI-G	36
RW6E216**	A#20	A#40	ODE-28-Z	ODE-45-Z	SERI-F	SERI-G	36	
4 FPI	RW4E038**	E#3	E#6	SBFDE-C-Z	ODE-7-Z	SER-C	SER-C	9
	RW4E048**	E#4	E#8	SBFDE-C-Z	ODE-7-Z	SER-C	SER-C	12
	RW4E077**	C#6	C#15	ODE-12-Z	ODE-12-Z	SER-C	SER-D	18
	RW4E097**	C#8	C#17	ODE-12-Z	ODE-17-Z	SER-D	SER-D	24
	RW4E115**	A#12	A#20	ODE-17-Z	ODE-28-Z	SER-D	SER-D	27
	RW4E145**	A#15	A#30	ODE-17-Z	ODE-28-Z	SER-D	SERI-F	36
RW4E182**	A#17	A#35	ODE-28-Z	ODE-40-Z	SERI-F	SERI-G	36	

Note: The distributor lines are 1/4" tube & 31" long.

\* Each asterisk represents a variable character based on voltage and motor ordered. See page 4 for nomenclature.

<sup>^</sup> TXV selections for Electric Defrost Models are based on -20°F suction temp., 8°F to 12°F evaporator TD. Contact factory for operating conditions outside of this range. Do not use pressure limiting TXVs when the condensing unit includes a CPR valve.

† SBFDE, ODE, and EBSDE expansion valves are compatible with R407A, R448A and R449A/B. For other valves, follow manufacturers selection guidelines.

Base models (no factory-mounted components) include nozzles sized for 100°F liquid shipped loose.



# WAREHOUSE UNIT COOLER

## Distributor Nozzle and Expansion Valves - Hot Gas Defrost Models

Model Number (RW*H, RW*G, RW*K, RW*L)	Part Numbers						No. of Circuits
	Nozzle @ Liq. Temp.		TXV <sup>^</sup> @ Liq. Temp.		EEV @ Liq. Temp.		
	50°F	100°F	50°F	100°F	50°F	100°F	

### R404A

6 FPI	RW6*036**	E#3	E#8	SBFSE-C-Z	EBSSE-6-Z	SER-C	SER-C	9
	RW6*047**	E#4	E#10	OSE-6-Z	EBSSE-7-1/2-Z	SER-C	SER-C	9
	RW6*059**	E#5	E#12	OSE-6-Z	EBSSE-10-Z	SER-C	SER-D	12
	RW6*072**	C#6	C#17	OSE-6-Z	EBSSE-10-Z	SER-C	SER-D	18
	RW6*096**	C#10	C#20	OSE-9-Z	EBSSE-13-Z	SER-D	SER-D	18
	RW6*120**	C#12	C#25	OSE-12-Z	OSE-21-Z	SER-D	SERI-F	24
	RW6*143**	A#15	A#35	OSE-12-Z	OSE-30-Z	SER-D	SERI-F	27
	RW6*179**	A#17	A#40	OSE-21-Z	OSE-30-Z	SERI-F	SERI-G	36
4 FPI	RW4*038**	E#3	E#8	SBFSE-C-Z	OSE-6-Z	SER-C	SER-C	9
	RW4*048**	E#4	E#12	OSE-6-Z	OSE-6-Z	SER-C	SER-C	12
	RW4*077**	C#8	C#17	OSE-9-Z	OSE-12-Z	SER-C	SER-D	18
	RW4*097**	C#10	C#20	OSE-9-Z	OSE-12-Z	SER-D	SER-D	24
	RW4*115**	A#12	A#30	OSE-12-Z	OSE-21-Z	SER-D	SERI-F	27
	RW4*145**	A#15	A#35	OSE-12-Z	OSE-30-Z	SER-D	SERI-F	36
	RW4*182**	A#20	A#40	OSE-21-Z	OSE-30-Z	SERI-F	SERI-G	36

### R407A/ R448A/ R449A†

6 FPI	RW6*036**	E#2-1/2	E#6	SBFDE-C-Z	ODE-7-Z	SER-B	SER-C	9
	RW6*047**	E#4	E#8	EBSDE-7-Z	ODE-12-Z	SER-C	SER-C	9
	RW6*059**	E#5	E#12	EBSDE-7-Z	ODE-12-Z	SER-C	SER-C	12
	RW6*072**	C#6	C#15	EBSDE-10-Z	ODE-12-Z	SER-C	SER-D	18
	RW6*096**	C#8	C#17	ODE-12-Z	ODE-17-Z	SER-D	SER-D	18
	RW6*120**	C#12	C#25	ODE-17-Z	ODE-28-Z	SER-D	SER-D	24
	RW6*143**	A#15	A#30	ODE-17-Z	ODE-28-Z	SER-D	SERI-F	27
	RW6*179**	A#17	A#35	ODE-28-Z	ODE-40-Z	SERI-F	SERI-G	36
4 FPI	RW4*038**	E#3	E#6	SBFDE-C-Z	ODE-7-Z	SER-C	SER-C	9
	RW4*048**	E#4	E#8	SBFDE-C-Z	ODE-7-Z	SER-C	SER-C	12
	RW4*077**	C#6	C#15	ODE-12-Z	ODE-12-Z	SER-C	SER-D	18
	RW4*097**	C#8	C#17	ODE-12-Z	ODE-17-Z	SER-D	SER-D	24
	RW4*115**	A#12	A#20	ODE-17-Z	ODE-28-Z	SER-D	SER-D	27
	RW4*145**	A#15	A#30	ODE-17-Z	ODE-28-Z	SER-D	SERI-F	36
RW4*182**	A#17	A#35	ODE-28-Z	ODE-40-Z	SERI-F	SERI-G	36	

Note: The distributor lines are 1/4" tube & 31" long.

\* Each asterisk represents a variable character based on voltage and motor ordered. See page 4 for nomenclature.

<sup>^</sup> TXV selections for Hot Gas Defrost Models are based on -20°F suction temp., 8°F to 12°F evaporator TD. Contact factory for operating conditions outside of this range. Do not use pressure limiting TXVs when the condensing unit includes a CPR valve.

† SBFDE, ODE, and EBSDE expansion valves are compatible with R407A, R448A and R449A/B. For other valves, follow manufacturers selection guidelines.

Base models (no factory-mounted components) include nozzles sized for 100°F liquid shipped loose.

# WAREHOUSE UNIT COOLER

## Specifications - Air Defrost Models - Three-Phase Motor

Model Number	Fan Diameter (Inches)	Motor Data			Refrigerant Connections		No. of Hanger Slot Locations	Figure
		Motor Qty.	HP	RPM	Liquid Line <sup>^</sup>	Suction Line		

### 6 FPI

RW6A034*TA	30	1	1	850	1/2	1-1/8	4	1
RW6A047*TA	30	1	1	850	1/2	1-3/8	4	1
RW6A058*TA	30	1	1	850	5/8	1-5/8	4	1
RW6A069*TA	30	2	1	850	5/8	1-5/8	6	2
RW6A094*TA	30	2	1	850	7/8	2-1/8	6	2
RW6A117*TA	30	2	1	850	7/8	2-1/8	6	2
RW6A143*TA	30	3	1	850	7/8	2-1/8	8	3
RW6A176*TA	30	3	1	850	1-1/8	2-1/8	8	3
RW6A190*TA	30	4	1	850	1-1/8	2-1/8	10	4
RW6A234*TA	30	4	1	850	1-1/8	2-1/8	10	4

Model Number	Unit Dimensions (Inches)			Approx. Unit Wt. (Lbs.)
	L	W	H	

### 6 FPI

RW6A034*TA	59-7/8	27-3/8	49-1/4	303
RW6A047*TA	59-7/8	27-3/8	49-1/4	303
RW6A058*TA	59-7/8	27-3/8	49-1/4	303
RW6A069*TA	99-7/8	27-3/8	49-1/4	509
RW6A094*TA	99-7/8	27-3/8	49-1/4	509
RW6A117*TA	99-7/8	27-3/8	49-1/4	509
RW6A143*TA	139-7/8	27-3/8	49-1/4	682
RW6A176*TA	139-7/8	27-3/8	49-1/4	682
RW6A190*TA	179-7/8	27-3/8	49-1/4	1,050
RW6A234*TA	179-7/8	27-3/8	49-1/4	1,050

Shipping Information - All Models				
No. of Fans	Shipping Dimensions (Inches)			Est. Ship Wt. (Lbs.)
	L	W	H	
1	69	42	66	480
2	109	42	66	750
3	146	42	66	1,030
4	189	42	66	1,360

\* Each asterisk represents a variable character based on voltage ordered. See page 4 for nomenclature.

<sup>^</sup> For units with mounted TXV components. See Nozzle/TXV table for distributor connection size when TXV is field installed.

- For dimensional distance between hanger slots, consult model's corresponding dimension drawing. Hanger slots are 1" deep x 1/2" wide.
- Drain is 1-1/4" NPT for all models.

## TYPICAL APPLICATIONS:



**Medium to Large Warehouses**



**Cold Storage Warehouses**



**Walk-in Coolers and Freezers**

# WAREHOUSE UNIT COOLER

## Specifications - Electric and Hot Gas Defrost Models - Three-Phase Motor

Model Number RW*E/G/ H/K/L	Fan Diameter (Inches)	Motor Data			Refrigerant Connections			No. of Hanger Slot Locations	Figure
		Motor Qty.	HP	RPM	Liquid Line <sup>^</sup>	Suction	3-Pipe Hot Gas Line		

### 6 FPI

RW6*036*TA	30	1	1	850	1/2	2-1/8	1-1/8	4	1
RW6*047*TA	30	1	1	850	5/8	2-1/8	1-1/8	4	1
RW6*059*TA	30	1	1	850	5/8	2-1/8	1-1/8	4	1
RW6*072*TA	30	2	1	850	5/8	2-1/8	1-1/8	6	2
RW6*096*TA	30	2	1	850	7/8	3-1/8	1-1/8	6	2
RW6*120*TA	30	2	1	850	7/8	3-1/8	1-1/8	6	2
RW6*143*TA	30	3	1	850	1-1/8	3-1/8	1-3/8	8	3
RW6*179*TA	30	3	1	850	1-1/8	3-1/8	1-3/8	8	3
RW6*216*TA	30	4	1	850	1-1/8	3-1/8	1-3/8	10	4

### 4 FPI

RW4*038*TA	30	1	1	850	1/2	2-1/8	1-1/8	4	1
RW4*048*TA	30	1	1	850	5/8	2-1/8	1-1/8	4	1
RW4*077*TA	30	2	1	850	5/8	2-1/8	1-1/8	6	2
RW4*097*TA	30	2	1	850	7/8	3-1/8	1-1/8	6	2
RW4*115*TA	30	3	1	850	7/8	3-1/8	1-3/8	8	3
RW4*145*TA	30	3	1	850	1-1/8	3-1/8	1-3/8	8	3
RW4*182*TA	30	4	1	850	1-1/8	3-1/8	1-3/8	10	4

Model Number RW*E/G/ H/K/L	Unit Dimensions (Inches)			Approx. Unit Wt. (Lbs.)
	L	W	H	

### 6 FPI

RW6*036*TA	59-7/8	27-3/8	49-1/4	303
RW6*047*TA	59-7/8	27-3/8	49-1/4	303
RW6*059*TA	59-7/8	27-3/8	49-1/4	303
RW6*072*TA	99-7/8	27-3/8	49-1/4	509
RW6*096*TA	99-7/8	27-3/8	49-1/4	509
RW6*120*TA	99-7/8	27-3/8	49-1/4	509
RW6*143*TA	139-7/8	27-3/8	49-1/4	682
RW6*179*TA	139-7/8	27-3/8	49-1/4	682
RW6*216*TA	179-7/8	27-3/8	49-1/4	1,050

### 4 FPI

RW4*038*TA	59-7/8	27-3/8	49-1/4	303
RW4*048*TA	59-7/8	27-3/8	49-1/4	303
RW4*077*TA	99-7/8	27-3/8	49-1/4	509
RW4*097*TA	99-7/8	27-3/8	49-1/4	509
RW4*115*TA	139-7/8	27-3/8	49-1/4	682
RW4*145*TA	139-7/8	27-3/8	49-1/4	682
RW4*182*TA	179-7/8	27-3/8	49-1/4	1,050

\* Each asterisk represents a variable character based on defrost and motor ordered. See page 4 for nomenclature.

<sup>^</sup> For units with mounted TXV components. See Nozzle/ TXV table for distributor connection size when TXV is field installed.

1. For dimensional distance between hanger slots, consult model's corresponding dimension drawing. Hanger slots are 1" deep x 1/2" wide.
2. Drain is 1-1/4" NPT for all models.
3. For shipping dimensions and weights, see Shipping Information table on page 18.

# WAREHOUSE UNIT COOLER

## Specifications - Electric and Hot Gas Defrost Models - Three-Phase Motor with High-Static Fan Blades

Model Number RW*E/G/ H/K/L	Fan Diameter (Inches)	Motor Data			Refrigerant Connections			No. of Hanger Slot Locations	Figure
		Motor Qty.	HP	RPM	Liquid Line <sup>^</sup>	Suction	3-Pipe Hot Gas Line		

### 6 FPI

RW6*036*HA	30	1	1-1/2	1140	1/2	2-1/8	1-1/8	4	1
RW6*047*HA	30	1	1-1/2	1140	5/8	2-1/8	1-1/8	4	1
RW6*059*HA	30	1	1-1/2	1140	5/8	2-1/8	1-1/8	4	1
RW6*072*HA	30	2	1-1/2	1140	5/8	2-1/8	1-1/8	6	2
RW6*096*HA	30	2	1-1/2	1140	7/8	3-1/8	1-1/8	6	2
RW6*120*HA	30	2	1-1/2	1140	7/8	3-1/8	1-1/8	6	2
RW6*143*HA	30	3	1-1/2	1140	1-1/8	3-1/8	1-3/8	8	3
RW6*179*HA	30	3	1-1/2	1140	1-1/8	3-1/8	1-3/8	8	3
RW6*216*HA	30	4	1-1/2	1140	1-1/8	3-1/8	1-3/8	10	4

### 4 FPI

RW4*038*HA	30	1	1-1/2	1140	1/2	2-1/8	1-1/8	4	1
RW4*048*HA	30	1	1-1/2	1140	5/8	2-1/8	1-1/8	4	1
RW4*077*HA	30	2	1-1/2	1140	5/8	2-1/8	1-1/8	6	2
RW4*097*HA	30	2	1-1/2	1140	7/8	3-1/8	1-1/8	6	2
RW4*115*HA	30	3	1-1/2	1140	7/8	3-1/8	1-3/8	8	3
RW4*145*HA	30	3	1-1/2	1140	1-1/8	3-1/8	1-3/8	8	3
RW4*182*HA	30	4	1-1/2	1140	1-1/8	3-1/8	1-3/8	10	4

Model Number RW*E/G/ H/K/L	Unit Dimensions (Inches)			Approx. Unit Wt. (Lbs.)
	L	W	H	

### 6 FPI

RW6*036*HA	59-7/8	27-3/8	49-1/4	303
RW6*047*HA	59-7/8	27-3/8	49-1/4	303
RW6*059*HA	59-7/8	27-3/8	49-1/4	303
RW6*072*HA	99-7/8	27-3/8	49-1/4	509
RW6*096*HA	99-7/8	27-3/8	49-1/4	509
RW6*120*HA	99-7/8	27-3/8	49-1/4	509
RW6*143*HA	139-7/8	27-3/8	49-1/4	682
RW6*179*HA	139-7/8	27-3/8	49-1/4	682
RW6*216*HA	179-7/8	27-3/8	49-1/4	1,050

### 4 FPI

RW4*038*HA	59-7/8	27-3/8	49-1/4	303
RW4*048*HA	59-7/8	27-3/8	49-1/4	303
RW4*077*HA	99-7/8	27-3/8	49-1/4	509
RW4*097*HA	99-7/8	27-3/8	49-1/4	509
RW4*115*HA	139-7/8	27-3/8	49-1/4	682
RW4*145*HA	139-7/8	27-3/8	49-1/4	682
RW4*182*HA	179-7/8	27-3/8	49-1/4	1,050

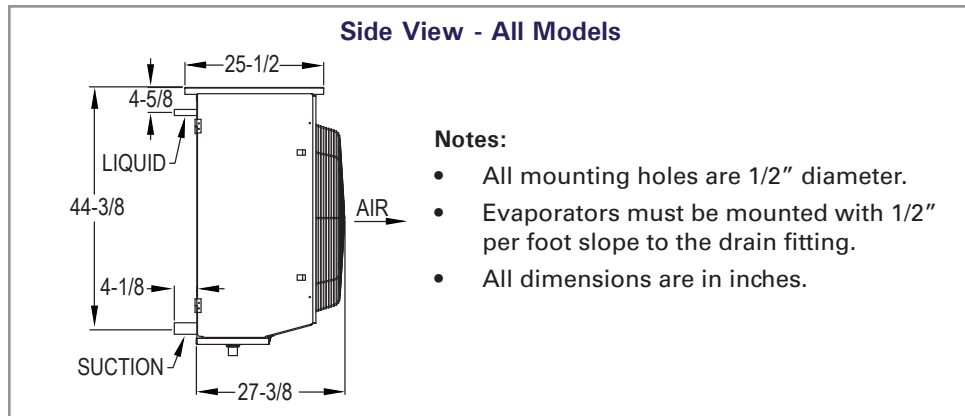
\* Each asterisk represents a variable character based on defrost and motor ordered. See page 4 for nomenclature.

<sup>^</sup> For units with mounted TXV components. See Nozzle/ TXV table for distributor connection size when TXV is field installed.

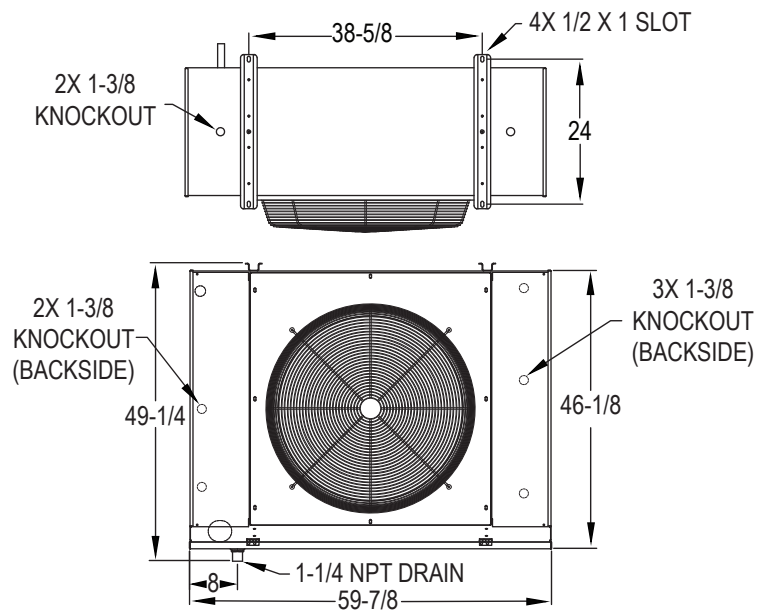
1. For dimensional distance between hanger slots, consult model's corresponding dimension drawing. Hanger slots are 1" deep x 1/2" wide.
2. Drain is 1-1/4" NPT for all models.
3. For shipping dimensions and weights, see Shipping Information table on page 18.

# WAREHOUSE UNIT COOLER

## Physical Dimensions

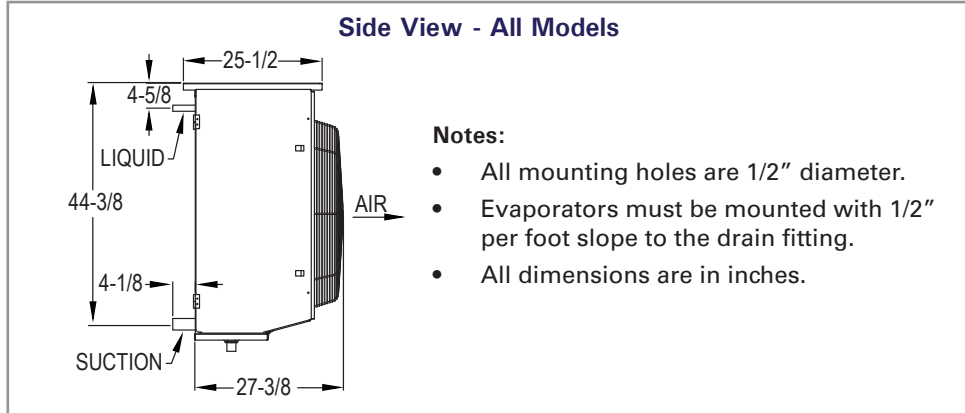


**Figure 1 - Single Fan**

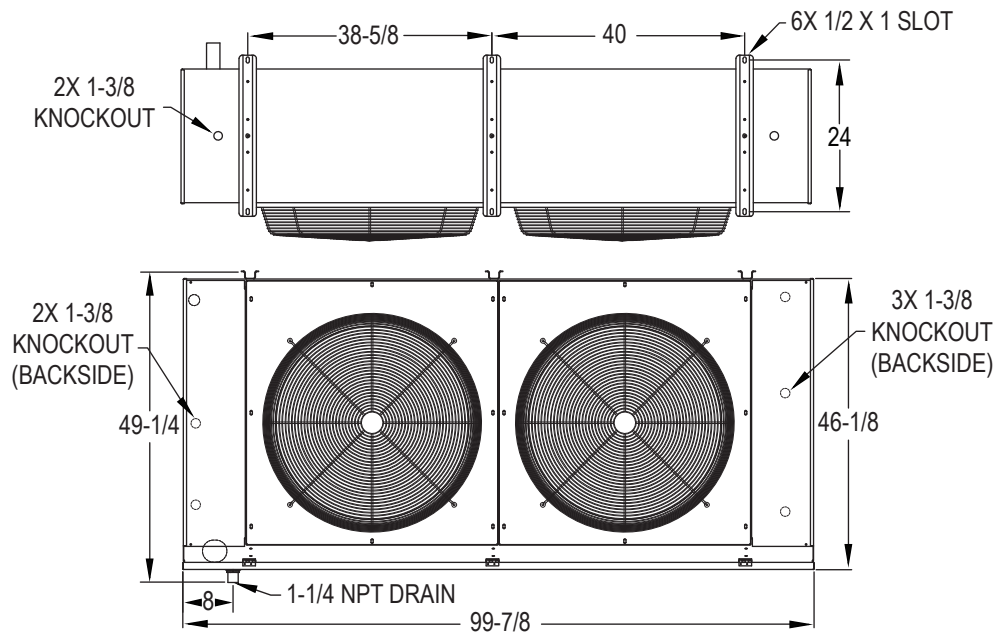


# WAREHOUSE UNIT COOLER

## Physical Dimensions

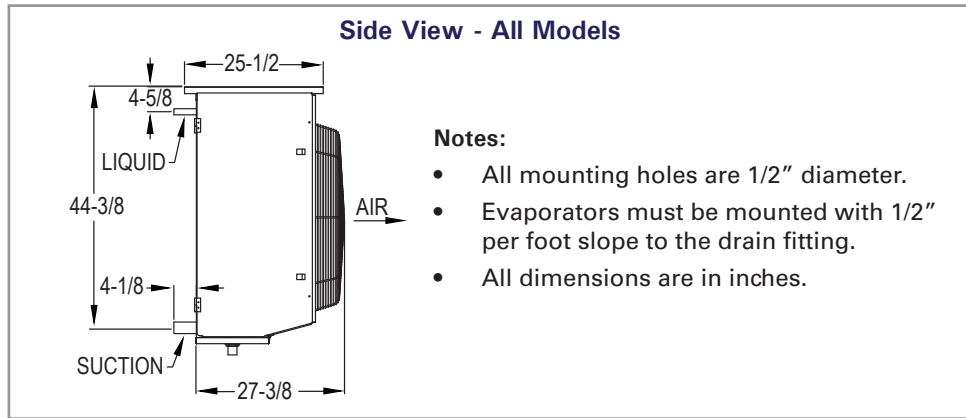


**Figure 2 - Two Fan**

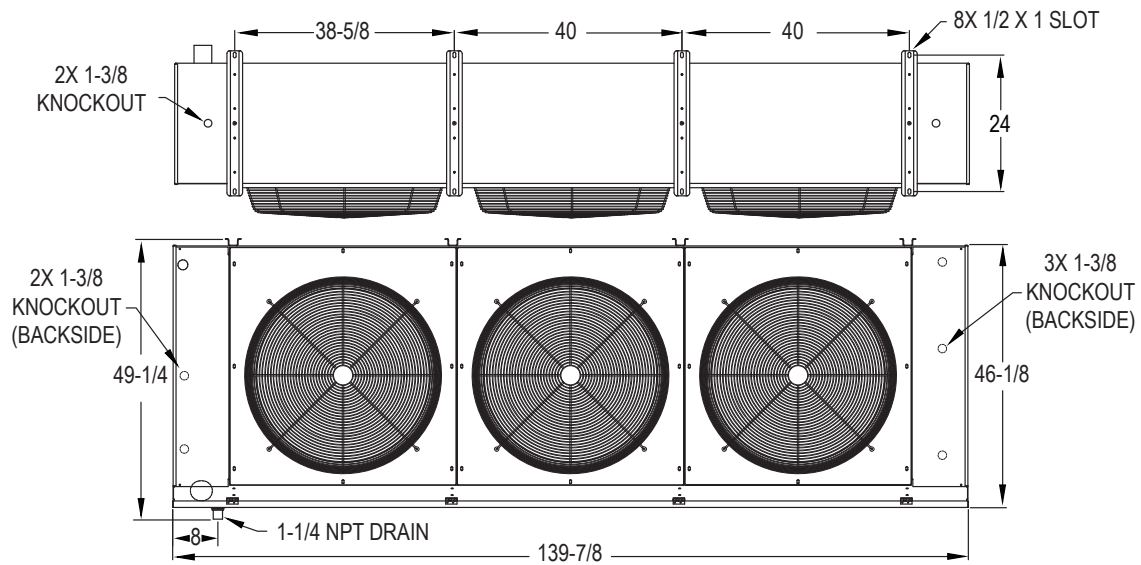


# WAREHOUSE UNIT COOLER

## Physical Dimensions

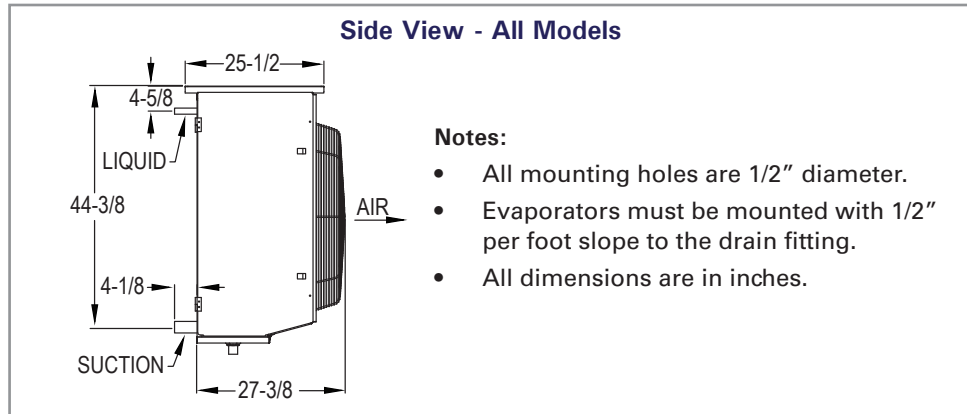


**Figure 3 - Three Fan**

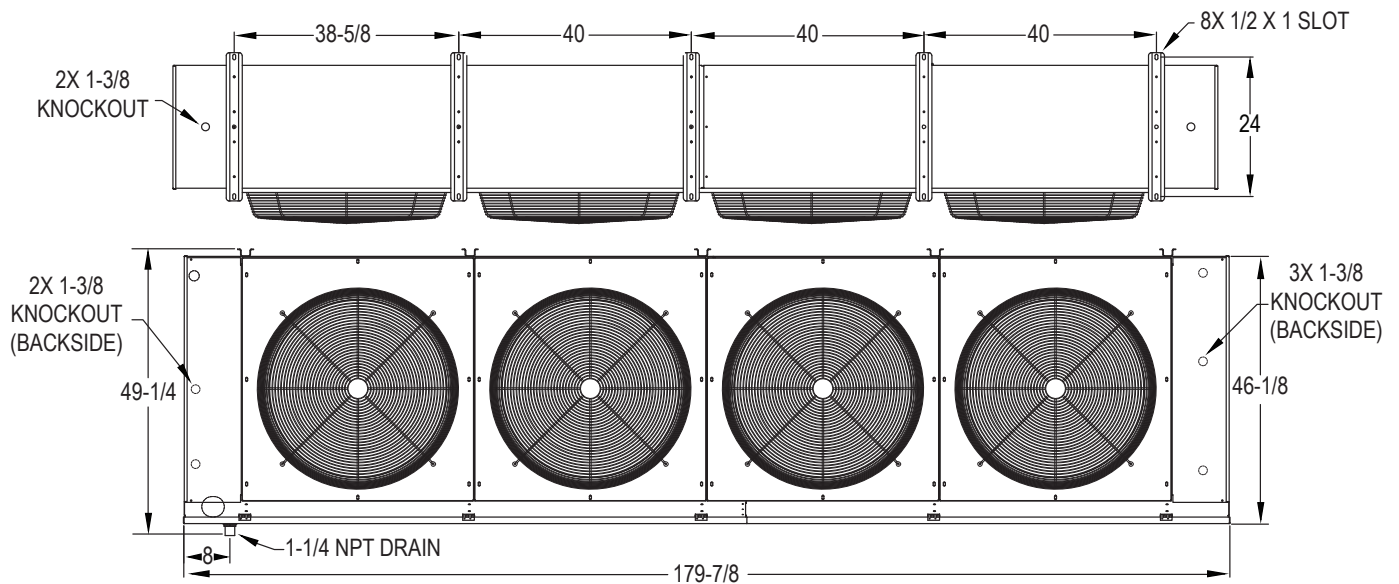


# WAREHOUSE UNIT COOLER

## Physical Dimensions



**Figure 4- Four Fan**



*Due to continuing product development, specifications are subject to change without notice.*