



Publication No. RU-NG2-0217B
Replaces RU-NG2-0117A

Next-Gen II

3 TO 22 HP AIR COOLED CONDENSING UNITS



Unit shown with optional
components installed.



3 TO 22 HP

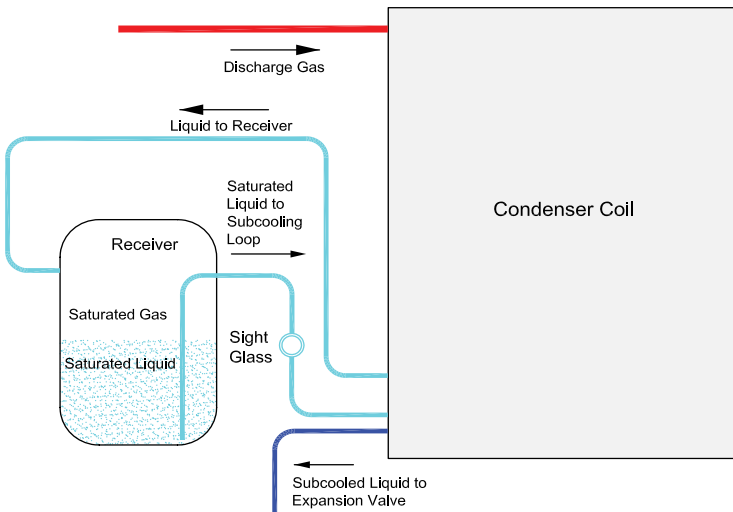
3 to 22 HP Air Cooled Condensing units

Following in the footsteps of the award-winning Next-Gen™ MiniCon condensing units, Russell proudly introduces its Next-Gen II family of condensing units. This exciting product offering features a robust design that improves serviceability, increases unit efficiency, and includes even more standard features.

Next-Gen II's 3 to 22 HP air cooled condensing units capitalize on the Next-Gen MiniCon's design successes and is a significant departure from Russell's classic D-Series condensing unit tradition. The improvements start with an expanded range of compressor types selected for use with low GWP refrigerants. Components are housed in a durable G90 galvanized steel painted enclosure with an open view, flow-through equipment guard; a highly efficient enhanced copper tube condenser; three phase fan motors; and externally mounted service valves that are easily accessible from the cabinet exterior. The units large control panel includes a swing-wide hinged door and abundant room for standard components and system accessories along with color-coded and numbered point-to-point wiring that assist in easy service and unit maintenance.

Integral Sub-cooling Circuit

All Next-Gen II air cooled condensing units feature an integral sub-cooling circuit that allows saturated liquid to flow from the receiver to the condenser where the refrigerant is sub-cooled by ambient air. This provides an average of 3 to 5°F of sub-cooling for higher efficiency while assuring optimal expansion device operation.



* Unit above is a 2 fan model with grilles removed. Shown with optional components installed.

Table of Contents

| | Page(s) |
|---|---------|
| Features and Options Chart | 4 |
| Model Nomenclature | 4 |
| Capacity Data (BTUH) - Medium Temperature - Discus | 5-9 |
| Capacity Data (BTUH) - Extended Range Medium Temperature - Scroll | 10-14 |
| Capacity Data (BTUH) - Extended Range Medium Temperature - Bitzer | 15-19 |
| Capacity Data (BTUH) - Low Temperature - Discus | 20-24 |
| Capacity Data (BTUH) - Low Temperature - Scroll | 25-27 |
| Capacity Data (BTUH) - Low Temperature - Bitzer | 28-31 |
| Electrical Data - Discus | 32-33 |
| Electrical Data - Scroll | 34 |
| Electrical Data - Bitzer | 35-36 |
| Specifications - All Models | 37-38 |
| Physical Dimensions and Drawings - All Models | 39-40 |

AIR COOLED CONDENSING UNITS

Standard Features

- Copeland Discus™, Copeland Scroll™ or semi-hermetic Bitzer compressors
- All-weather G90 galvanized painted steel enclosure
- Open view, flow-through equipment guard
- Removable top and side panels for ease of service
- Generously sized high efficiency condenser, with enhanced copper tubes/and aluminum fins
- Integral liquid sub-cooling circuit
- Base mounted service valves placed external to cabinet for easy access
- Liquid line kit with sealed filter/drier and sight glass with moisture indicator
- Vertical receiver with isolation valves
- Fan cycling on 2 fan RB models (only)
- Refrigerant pressure relief valve
- Suction line piping
- Large electrical panel with hinged door
- Color-coded point-to-point wiring
- 208-230V control voltage
- Crankcase heater
- Control circuit fuses
- Pump down toggle switch
- Heavy duty three phase condenser fan motor(s)
- Dual pressure (auto reset) control with Reflex® flexible control lines
- Liquid injection/Demand Cooling™ for low temperature compressors
- UL and cUL listed

RF style units also include a flooded head pressure control valve (70°F) as a standard feature. (Not available for RB models.)

Options

- Electronic air or electric defrost timer
- Paragon mechanical timer in lieu of electronic timer
- Electric defrost provisions
- Defrost sub circuit fuses or breakers
- Suction accumulator
- Oil separator
- Sealed suction filter
- Replaceable core suction filter with bypass
- Replaceable core liquid filter with bypass
- Thru-the-door non-fused disconnect
- External fused or non-fused disconnect
- Oversized receiver
- Heated and insulated receiver with low pressure bypass timer (temperature controlled)
- Liquid line solenoid (loose)
- Phase loss monitor
- Hail / Snow Guard (loose)
- Stacking rack (loose)
- Single Speed EC motor
- 316 Stainless steel housing
- 50 Hz timer and/or defrost kit
- Current sensing relay
- Crankcase pressure regulator (mounted)



Quick access to shut-off valves from the exterior of the cabinet. Removable panels and flow through grills allow for easy service and equipment maintenance.



Large control panel with hinged door and easy to read point-to-point wiring diagrams.

Ample room for optional components.



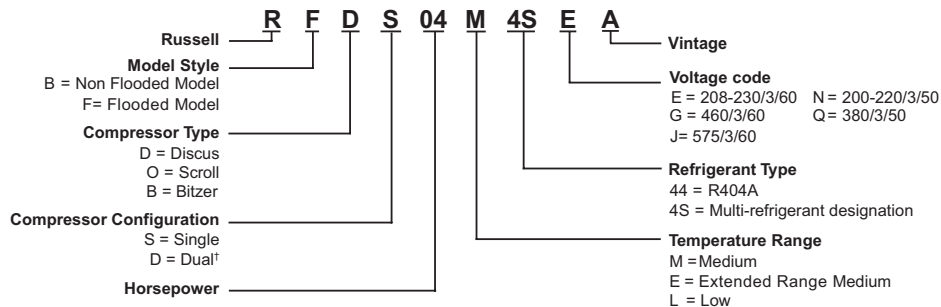
Available with reliable and efficient Copeland Discus™, Copeland Scroll™ or Bitzer semi-hermetic compressors.

3 TO 22 HP

Features and Options

| | DESCRIPTION | FLOODED MODELS | | | NON-FLOODED MODELS | | |
|----------------------------------|--|----------------|-----|-----|--------------------|-----|-----|
| | | RFD | RFO | RFB | RBD | RBO | RBB |
| CABINET | All weather G90 galvanized steel painted enclosure | STANDARD | | | STANDARD | | |
| | Removable top and side panels for ease of service | STANDARD | | | STANDARD | | |
| | Large control panel for power and control circuits | STANDARD | | | STANDARD | | |
| | Swing wide hinged control panel door | STANDARD | | | STANDARD | | |
| | 316 Stainless Steel cabinet | OPTIONAL | | | OPTIONAL | | |
| | Hail / Snow Guards (Loose) | OPTIONAL | | | OPTIONAL | | |
| COMPRESSOR | Copeland Discus™ | STD | N/A | N/A | STD | N/A | N/A |
| | Copeland Scroll™ | N/A | STD | N/A | N/A | STD | N/A |
| | Bitzer Semi-Hermetic | N/A | N/A | STD | N/A | N/A | STD |
| | Liquid injection/Demand Cooling™ for low temperature compressors | STANDARD | | | STANDARD | | |
| HIGH EFFICIENCY CONDENSER | High ambient coil | STANDARD | | | STANDARD | | |
| | Enhanced copper tubes with aluminum fins | STANDARD | | | STANDARD | | |
| | Integral liquid sub-cooling circuit | STANDARD | | | STANDARD | | |
| | 3 phase condenser fan motor(s) | STANDARD | | | STANDARD | | |
| | EC Fan motor(s) | OPTIONAL | | | OPTIONAL | | |
| | Copper, polyester coated fins or Electro Fin® coated coil | OPTIONAL | | | OPTIONAL | | |
| ELECTRICAL | Crankcase heater | STANDARD | | | STANDARD | | |
| | Compressor contactor | STANDARD | | | STANDARD | | |
| | Control transformer (460V to 230V) as required | STANDARD | | | STANDARD | | |
| | Dual pressure control (auto reset) w/ Reflex® flexible lines | STANDARD | | | STANDARD | | |
| | Color-coded wiring for ease of serviceability | STANDARD | | | STANDARD | | |
| | Thru-the-door non-fused disconnect | OPTIONAL | | | OPTIONAL | | |
| RECEIVER | Vertical receiver (needs less refrigerant for liquid seal) | STANDARD | | | STANDARD | | |
| | Receiver isolation valve | STANDARD | | | STANDARD | | |
| | Pressure relief valve | STANDARD | | | STANDARD | | |
| | Oversized receiver | OPTIONAL | | | OPTIONAL | | |
| PIPING COMPONENTS | Base mounted liquid & suction shut-off valves (External) | STANDARD | | | STANDARD | | |
| | Liquid line kit - piping, sealed filter drier & sight glass | STANDARD | | | STANDARD | | |
| | Suction line piping | STANDARD | | | STANDARD | | |
| | Sealed suction filter | OPTIONAL | | | OPTIONAL | | |
| | Suction line accumulator (must add optional filter) | OPTIONAL | | | OPTIONAL | | |
| | Oil separator | OPTIONAL | | | OPTIONAL | | |
| | Replaceable core liquid and suction filters (with bypass) | OPTIONAL | | | OPTIONAL | | |
| | Heated and insulated receiver (temperature controlled and low pressure bypass timer) | OPTIONAL | | | OPTIONAL | | |
| LOW AMBIENT CONTROLS | Flooded head pressure control | STANDARD | | | N/A | | |
| | Fan cycle control (2 Fan models only) | N/A | | | STANDARD | | |
| DEFROST PROVISIONS | Electric defrost kits with electronic time clocks | OPTIONAL | | | OPTIONAL | | |
| | Electronic or mechanical air defrost time clocks | OPTIONAL | | | OPTIONAL | | |
| | 50 HZ defrost timers with or without contactors | OPTIONAL | | | OPTIONAL | | |
| TESTING | UL and C-UL listed | STANDARD | | | STANDARD | | |
| | Hydrogen leak and dielectric tested before shipping | STANDARD | | | STANDARD | | |
| | Dry nitrogen shipping charge (25 PSI) | STANDARD | | | STANDARD | | |

MODEL NUMBER NOMENCLATURE



† Available with Dual Compressor set-up. Contact Application Engineering for model definition and special price quote.

Notes:

STD = Standard Feature
N/A = Not Available

See specification pages 37-38 for compressor horsepower.

AIR COOLED CONDENSING UNITS

Capacity Data (BTUH) - Medium Temperature R404A Discus - 60 Hz[‡]

SUCTION TEMPERATURE

| MODEL | COMP. MODEL | 40°F | 35°F | 30°F | 25°F | 20°F | 10°F | 5°F | 0°F |
|-------|-------------|------|------|------|------|------|------|-----|-----|
|-------|-------------|------|------|------|------|------|------|-----|-----|

90°F Ambient

| | | | | | | | | | |
|-------------|-----------|---------|---------|---------|---------|---------|---------|--------|--------|
| R*DS04M4S** | 2DC3R53KE | 63,000 | 57,300 | 51,860 | 46,700 | 41,840 | 33,050 | 29,140 | 25,560 |
| R*DS05M4S** | 2DD3R63KE | 72,940 | 66,660 | 60,610 | 54,820 | 49,320 | 39,280 | 34,800 | 30,720 |
| R*DS06M4S** | 2DL3R78KE | 94,280 | 85,670 | 77,540 | 69,900 | 62,760 | 49,990 | 44,350 | 39,210 |
| R*DS07M4S** | 2DA3R89KE | 105,600 | 96,310 | 87,570 | 79,380 | 71,720 | 57,940 | 51,800 | 46,100 |
| R*DS08M4S** | 3DA3R10ME | 120,190 | 110,010 | 100,310 | 91,130 | 82,460 | 66,690 | 59,590 | 53,010 |
| R*DS10M4S** | 3DB3R12ME | 139,160 | 127,650 | 116,730 | 106,400 | 96,660 | 78,870 | 70,790 | 63,190 |
| R*DS12M4S** | 3DF3R15ME | 175,770 | 160,940 | 146,870 | 133,570 | 121,070 | 98,410 | 88,240 | 78,800 |
| R*DS15M4S** | 3DS3R17ME | 190,590 | 174,860 | 159,860 | 145,650 | 132,220 | 107,790 | 96,770 | 86,510 |

95°F Ambient

| | | | | | | | | | |
|-------------|-----------|---------|---------|---------|---------|---------|---------|--------|--------|
| R*DS04M4S** | 2DC3R53KE | 59,970 | 54,500 | 49,280 | 44,350 | 39,700 | 31,290 | 27,550 | 24,130 |
| R*DS05M4S** | 2DD3R63KE | 69,480 | 63,470 | 57,680 | 52,140 | 46,880 | 37,290 | 33,010 | 29,110 |
| R*DS06M4S** | 2DL3R78KE | 89,960 | 81,720 | 73,940 | 66,630 | 59,780 | 47,560 | 42,160 | 37,230 |
| R*DS07M4S** | 2DA3R89KE | 100,790 | 91,900 | 83,540 | 75,700 | 68,370 | 55,170 | 49,280 | 43,800 |
| R*DS08M4S** | 3DA3R10ME | 114,830 | 105,090 | 95,830 | 87,050 | 78,760 | 63,680 | 56,880 | 50,550 |
| R*DS10M4S** | 3DB3R12ME | 132,920 | 121,930 | 111,500 | 101,620 | 92,300 | 75,270 | 67,530 | 60,260 |
| R*DS12M4S** | 3DF3R15ME | 167,930 | 153,760 | 140,300 | 127,590 | 115,630 | 93,940 | 84,200 | 75,160 |
| R*DS15M4S** | 3DS3R17ME | 182,090 | 167,040 | 152,710 | 139,120 | 126,280 | 102,900 | 92,330 | 82,510 |

100°F Ambient

| | | | | | | | | | |
|-------------|-----------|---|---------|---------|---------|---------|--------|--------|--------|
| R*DS04M4S** | 2DC3R53KE | - | 51,720 | 46,740 | 42,020 | 37,580 | 29,550 | 25,980 | 22,720 |
| R*DS05M4S** | 2DD3R63KE | - | 60,280 | 54,750 | 49,470 | 44,440 | 35,300 | 31,230 | 27,520 |
| R*DS06M4S** | 2DL3R78KE | - | 77,770 | 70,340 | 63,360 | 56,820 | 45,130 | 39,980 | 35,260 |
| R*DS07M4S** | 2DA3R89KE | - | 87,500 | 79,510 | 72,020 | 65,020 | 52,400 | 46,740 | 41,490 |
| R*DS08M4S** | 3DA3R10ME | - | 100,260 | 91,420 | 83,050 | 75,130 | 60,720 | 54,220 | 48,170 |
| R*DS10M4S** | 3DB3R12ME | - | 116,210 | 106,270 | 96,850 | 87,960 | 71,680 | 64,270 | 57,300 |
| R*DS12M4S** | 3DF3R15ME | - | 146,610 | 133,770 | 121,640 | 110,230 | 89,520 | 80,200 | 71,550 |
| R*DS15M4S** | 3DS3R17ME | - | 159,300 | 145,580 | 132,620 | 120,360 | 98,030 | 87,940 | 78,540 |

110°F Ambient

| | | | | | | | | | |
|-------------|-----------|---|---|---------|---------|---------|--------|--------|--------|
| R*DS04M4S** | 2DC3R53KE | - | - | 41,720 | 37,440 | 33,410 | 26,130 | 22,900 | 19,960 |
| R*DS05M4S** | 2DD3R63KE | - | - | 48,890 | 44,120 | 39,590 | 31,360 | 27,710 | 24,380 |
| R*DS06M4S** | 2DL3R78KE | - | - | 63,190 | 56,850 | 50,930 | 40,330 | 35,650 | 31,370 |
| R*DS07M4S** | 2DA3R89KE | - | - | 71,480 | 64,690 | 58,320 | 46,840 | 41,680 | 36,870 |
| R*DS08M4S** | 3DA3R10ME | - | - | 82,700 | 75,130 | 67,960 | 54,860 | 48,920 | 43,390 |
| R*DS10M4S** | 3DB3R12ME | - | - | 95,750 | 87,270 | 79,240 | 64,490 | 57,740 | 51,370 |
| R*DS12M4S** | 3DF3R15ME | - | - | 120,760 | 109,800 | 99,480 | 80,730 | 72,270 | 64,390 |
| R*DS15M4S** | 3DS3R17ME | - | - | 131,390 | 119,670 | 108,590 | 88,380 | 79,220 | 70,670 |

* Each asterisk represents a variable character based upon model, voltage, and vintage ordered. See page 4 for nomenclature.

‡ Multiply capacity by .83 when used with 50 Hz power.

3 TO 22 HP

Capacity Data (BTUH) - Medium Temperature R407A Discus - 60 Hz[‡]

SUCTION TEMPERATURE

| MODEL | COMP. MODEL | 40°F | 35°F | 30°F | 25°F | 20°F | 10°F | 5°F | 0°F |
|-------|-------------|------|------|------|------|------|------|-----|-----|
|-------|-------------|------|------|------|------|------|------|-----|-----|

90°F Ambient

| | | | | | | | | | |
|-------------|-----------|---------|---------|---------|---------|---------|--------|--------|--------|
| R*DS04M4S** | 2DC3R53KE | 60,630 | 54,300 | 48,380 | 42,910 | 37,870 | 29,120 | 25,410 | 22,160 |
| R*DS05M4S** | 2DD3R63KE | 68,970 | 62,060 | 55,570 | 49,500 | 43,900 | 34,150 | 30,020 | 26,400 |
| R*DS06M4S** | 2DL3R78KE | 89,110 | 80,200 | 72,020 | 64,540 | 57,670 | 45,620 | 40,320 | 35,400 |
| R*DS07M4S** | 2DA3R89KE | 100,210 | 90,330 | 81,080 | 72,460 | 64,470 | 50,320 | 44,150 | 38,570 |
| R*DS08M4S** | 3DA3R10ME | 118,030 | 107,230 | 96,880 | 87,010 | 77,670 | 60,670 | 53,070 | 46,090 |
| R*DS10M4S** | 3DB3R12ME | 137,240 | 125,000 | 113,310 | 102,150 | 91,540 | 72,250 | 63,600 | 55,590 |
| R*DS12M4S** | 3DF3R15ME | 164,290 | 149,300 | 134,910 | 121,160 | 108,090 | 84,440 | 74,010 | 64,530 |
| R*DS15M4S** | 3DS3R17ME | 182,170 | 166,110 | 150,640 | 135,840 | 121,760 | 95,880 | 84,190 | 73,360 |

95°F Ambient

| | | | | | | | | | |
|-------------|-----------|---------|---------|---------|---------|---------|--------|--------|--------|
| R*DS04M4S** | 2DC3R53KE | 58,120 | 51,990 | 46,270 | 40,990 | 36,120 | 27,690 | 24,150 | 21,070 |
| R*DS05M4S** | 2DD3R63KE | 66,190 | 59,520 | 53,230 | 47,380 | 41,990 | 32,610 | 28,670 | 25,240 |
| R*DS06M4S** | 2DL3R78KE | 85,770 | 77,130 | 69,220 | 61,970 | 55,350 | 43,720 | 38,610 | 33,890 |
| R*DS07M4S** | 2DA3R89KE | 96,330 | 86,780 | 77,840 | 69,510 | 61,790 | 48,110 | 42,180 | 36,790 |
| R*DS08M4S** | 3DA3R10ME | 113,560 | 103,100 | 93,070 | 83,490 | 74,410 | 57,790 | 50,320 | 43,450 |
| R*DS10M4S** | 3DB3R12ME | 132,020 | 120,180 | 108,850 | 98,010 | 87,710 | 68,850 | 60,340 | 52,460 |
| R*DS12M4S** | 3DF3R15ME | 157,990 | 143,490 | 129,550 | 116,220 | 103,570 | 80,540 | 70,360 | 61,080 |
| R*DS15M4S** | 3DS3R17ME | 175,430 | 159,930 | 145,000 | 130,660 | 117,000 | 91,810 | 80,380 | 69,700 |

100°F Ambient

| | | | | | | | | | |
|-------------|-----------|---|---------|---------|---------|---------|--------|--------|--------|
| R*DS04M4S** | 2DC3R53KE | - | 49,730 | 44,190 | 39,080 | 34,390 | 26,300 | 22,940 | 20,020 |
| R*DS05M4S** | 2DD3R63KE | - | 57,000 | 50,950 | 45,280 | 40,090 | 31,110 | 27,360 | 24,130 |
| R*DS06M4S** | 2DL3R78KE | - | 74,060 | 66,400 | 59,410 | 53,010 | 41,800 | 36,890 | 32,350 |
| R*DS07M4S** | 2DA3R89KE | - | 83,240 | 74,610 | 66,560 | 59,110 | 45,920 | 40,180 | 35,000 |
| R*DS08M4S** | 3DA3R10ME | - | 98,970 | 89,270 | 79,950 | 71,110 | 54,850 | 47,520 | 40,710 |
| R*DS10M4S** | 3DB3R12ME | - | 115,330 | 104,330 | 93,810 | 83,790 | 65,340 | 56,980 | 49,210 |
| R*DS12M4S** | 3DF3R15ME | - | 137,660 | 124,140 | 111,220 | 98,940 | 76,550 | 66,550 | 57,470 |
| R*DS15M4S** | 3DS3R17ME | - | 153,790 | 139,390 | 125,500 | 112,240 | 87,710 | 76,490 | 66,010 |

110°F Ambient

| | | | | | | | | | |
|-------------|-----------|---|---|---------|---------|---------|--------|--------|--------|
| R*DS04M4S** | 2DC3R53KE | - | - | 40,120 | 35,370 | 31,040 | 23,670 | 20,640 | 18,050 |
| R*DS05M4S** | 2DD3R63KE | - | - | 46,440 | 41,210 | 36,430 | 28,260 | 24,890 | 22,030 |
| R*DS06M4S** | 2DL3R78KE | - | - | 60,770 | 54,250 | 48,310 | 37,920 | 33,390 | 29,220 |
| R*DS07M4S** | 2DA3R89KE | - | - | 68,140 | 60,670 | 53,760 | 41,540 | 36,230 | 31,440 |
| R*DS08M4S** | 3DA3R10ME | - | - | 81,630 | 72,840 | 64,440 | 48,860 | 41,740 | 35,110 |
| R*DS10M4S** | 3DB3R12ME | - | - | 95,100 | 85,160 | 75,680 | 58,020 | 49,960 | 42,390 |
| R*DS12M4S** | 3DF3R15ME | - | - | 113,250 | 101,060 | 89,460 | 68,180 | 58,620 | 49,840 |
| R*DS15M4S** | 3DS3R17ME | - | - | 128,190 | 115,220 | 102,730 | 79,460 | 68,700 | 58,530 |

* Each asterisk represents a variable character based upon model, voltage, and vintage ordered. See page 4 for nomenclature.

‡ Multiply capacity by .83 when used with 50 Hz power.

AIR COOLED CONDENSING UNITS

Capacity Data (BTUH) - Medium Temperature R407C Discus - 60 Hz[‡]

SUCTION TEMPERATURE

| MODEL | COMP. MODEL | 40°F | 35°F | 30°F | 25°F | 20°F | 10°F | 5°F | 0°F |
|-------|-------------|------|------|------|------|------|------|-----|-----|
|-------|-------------|------|------|------|------|------|------|-----|-----|

90°F Ambient

| | | | | | | | | | |
|-------------|-----------|---------|---------|---------|---------|---------|--------|--------|--------|
| R*DS04M4S** | 2DC3R53KE | 58,780 | 52,370 | 46,420 | 40,970 | 35,990 | 27,450 | 23,880 | 20,790 |
| R*DS05M4S** | 2DD3R63KE | 66,890 | 59,870 | 53,330 | 47,270 | 41,720 | 32,180 | 28,210 | 24,770 |
| R*DS06M4S** | 2DL3R78KE | 87,160 | 77,920 | 69,350 | 61,490 | 54,300 | 41,990 | 36,860 | 32,370 |
| R*DS07M4S** | 2DA3R89KE | 97,120 | 87,110 | 77,800 | 69,190 | 61,270 | 47,430 | 41,490 | 36,180 |
| R*DS08M4S** | 3DA3R10ME | 110,880 | 100,920 | 91,620 | 82,920 | 74,780 | 59,830 | 52,850 | 46,070 |
| R*DS10M4S** | 3DB3R12ME | 129,000 | 117,690 | 107,180 | 97,340 | 88,090 | 71,130 | 63,200 | 55,430 |
| R*DS12M4S** | 3DF3R15ME | 154,530 | 140,660 | 127,640 | 115,410 | 103,880 | 82,900 | 73,310 | 64,170 |
| R*DS15M4S** | 3DS3R17ME | 168,480 | 153,780 | 139,880 | 126,770 | 114,400 | 91,580 | 81,020 | 70,900 |

95°F Ambient

| | | | | | | | | | |
|-------------|-----------|---------|---------|---------|---------|---------|--------|--------|--------|
| R*DS04M4S** | 2DC3R53KE | 56,680 | 50,420 | 44,620 | 39,300 | 34,440 | 26,140 | 22,710 | 19,760 |
| R*DS05M4S** | 2DD3R63KE | 64,590 | 57,750 | 51,340 | 45,430 | 40,040 | 30,780 | 26,960 | 23,670 |
| R*DS06M4S** | 2DL3R78KE | 84,360 | 75,270 | 66,890 | 59,190 | 52,210 | 40,320 | 35,410 | 31,180 |
| R*DS07M4S** | 2DA3R89KE | 93,920 | 84,150 | 75,060 | 66,650 | 58,920 | 45,420 | 39,660 | 34,490 |
| R*DS08M4S** | 3DA3R10ME | 107,140 | 97,570 | 88,610 | 80,180 | 72,220 | 57,370 | 50,300 | 43,360 |
| R*DS10M4S** | 3DB3R12ME | 124,620 | 113,770 | 103,640 | 94,100 | 85,070 | 68,230 | 60,190 | 52,260 |
| R*DS12M4S** | 3DF3R15ME | 149,210 | 135,900 | 123,360 | 111,510 | 100,320 | 79,590 | 69,980 | 60,710 |
| R*DS15M4S** | 3DS3R17ME | 162,850 | 148,780 | 135,440 | 122,760 | 110,730 | 88,270 | 77,730 | 67,480 |

100°F Ambient

| | | | | | | | | | |
|-------------|-----------|---|---------|---------|---------|---------|--------|--------|--------|
| R*DS04M4S** | 2DC3R53KE | - | 48,550 | 42,870 | 37,680 | 32,940 | 24,890 | 21,600 | 18,770 |
| R*DS05M4S** | 2DD3R63KE | - | 55,690 | 49,450 | 43,660 | 38,400 | 29,440 | 25,760 | 22,630 |
| R*DS06M4S** | 2DL3R78KE | - | 72,680 | 64,460 | 56,970 | 50,180 | 38,720 | 34,050 | 30,070 |
| R*DS07M4S** | 2DA3R89KE | - | 81,260 | 72,390 | 64,170 | 56,630 | 43,460 | 37,830 | 32,810 |
| R*DS08M4S** | 3DA3R10ME | - | 94,310 | 85,640 | 77,390 | 69,560 | 54,670 | 47,470 | 40,280 |
| R*DS10M4S** | 3DB3R12ME | - | 109,920 | 100,090 | 90,780 | 81,890 | 65,010 | 56,820 | 48,650 |
| R*DS12M4S** | 3DF3R15ME | - | 131,250 | 119,080 | 107,540 | 96,560 | 75,970 | 66,210 | 56,750 |
| R*DS15M4S** | 3DS3R17ME | - | 143,950 | 131,090 | 118,770 | 106,980 | 84,730 | 74,100 | 63,700 |

110°F Ambient

| | | | | | | | | | |
|-------------|-----------|---|---|---------|---------|--------|--------|--------|--------|
| R*DS04M4S** | 2DC3R53KE | - | - | 39,600 | 34,630 | 30,140 | 22,590 | 19,540 | 16,960 |
| R*DS05M4S** | 2DD3R63KE | - | - | 45,860 | 40,360 | 35,370 | 26,960 | 23,560 | 20,700 |
| R*DS06M4S** | 2DL3R78KE | - | - | 59,860 | 52,750 | 46,370 | 35,780 | 31,600 | 28,130 |
| R*DS07M4S** | 2DA3R89KE | - | - | 67,230 | 59,390 | 52,190 | 39,650 | 34,300 | 29,540 |
| R*DS08M4S** | 3DA3R10ME | - | - | 79,570 | 71,540 | 63,740 | 48,410 | 40,740 | 33,020 |
| R*DS10M4S** | 3DB3R12ME | - | - | 92,680 | 83,600 | 74,790 | 57,440 | 48,790 | 40,000 |
| R*DS12M4S** | 3DF3R15ME | - | - | 110,340 | 99,130 | 88,300 | 67,410 | 57,220 | 47,150 |
| R*DS15M4S** | 3DS3R17ME | - | - | 122,340 | 110,540 | 99,040 | 76,740 | 65,770 | 54,810 |

* Each asterisk represents a variable character based upon model, voltage, and vintage ordered. See page 4 for nomenclature.

‡ Multiply capacity by .83 when used with 50 Hz power.

3 TO 22 HP

Capacity Data (BTUH) - Medium Temperature R407F Discus - 60 Hz[‡]

SUCTION TEMPERATURE

| MODEL | COMP. MODEL | 40°F | 35°F | 30°F | 25°F | 20°F | 10°F | 5°F | 0°F |
|-------|-------------|------|------|------|------|------|------|-----|-----|
|-------|-------------|------|------|------|------|------|------|-----|-----|

90°F Ambient

| | | | | | | | | | |
|-------------|-----------|---------|---------|---------|---------|---------|--------|--------|--------|
| R*DS04M4S** | 2DC3R53KE | 60,630 | 54,300 | 48,380 | 42,910 | 37,870 | 29,120 | 25,410 | 22,160 |
| R*DS05M4S** | 2DD3R63KE | 68,970 | 62,060 | 55,570 | 49,500 | 43,900 | 34,150 | 30,020 | 26,400 |
| R*DS06M4S** | 2DL3R78KE | 89,110 | 80,200 | 72,020 | 64,540 | 57,670 | 45,620 | 40,320 | 35,400 |
| R*DS07M4S** | 2DA3R89KE | 100,210 | 90,330 | 81,080 | 72,460 | 64,470 | 50,320 | 44,150 | 38,570 |
| R*DS08M4S** | 3DA3R10ME | 118,030 | 107,230 | 96,880 | 87,010 | 77,670 | 60,670 | 53,070 | 46,090 |
| R*DS10M4S** | 3DB3R12ME | 137,240 | 125,000 | 113,310 | 102,150 | 91,540 | 72,250 | 63,600 | 55,590 |
| R*DS12M4S** | 3DF3R15ME | 164,290 | 149,300 | 134,910 | 121,160 | 108,090 | 84,440 | 74,010 | 64,530 |
| R*DS15M4S** | 3DS3R17ME | 182,170 | 166,110 | 150,640 | 135,840 | 121,760 | 95,880 | 84,190 | 73,360 |

95°F Ambient

| | | | | | | | | | |
|-------------|-----------|---------|---------|---------|---------|---------|--------|--------|--------|
| R*DS04M4S** | 2DC3R53KE | 58,120 | 51,990 | 46,270 | 40,990 | 36,120 | 27,690 | 24,150 | 21,070 |
| R*DS05M4S** | 2DD3R63KE | 66,190 | 59,520 | 53,230 | 47,380 | 41,990 | 32,610 | 28,670 | 25,240 |
| R*DS06M4S** | 2DL3R78KE | 85,770 | 77,130 | 69,220 | 61,970 | 55,350 | 43,720 | 38,610 | 33,890 |
| R*DS07M4S** | 2DA3R89KE | 96,330 | 86,780 | 77,840 | 69,510 | 61,790 | 48,110 | 42,180 | 36,790 |
| R*DS08M4S** | 3DA3R10ME | 113,560 | 103,100 | 93,070 | 83,490 | 74,410 | 57,790 | 50,320 | 43,450 |
| R*DS10M4S** | 3DB3R12ME | 132,020 | 120,180 | 108,850 | 98,010 | 87,710 | 68,850 | 60,340 | 52,460 |
| R*DS12M4S** | 3DF3R15ME | 157,990 | 143,490 | 129,550 | 116,220 | 103,570 | 80,540 | 70,360 | 61,080 |
| R*DS15M4S** | 3DS3R17ME | 175,430 | 159,930 | 145,000 | 130,660 | 117,000 | 91,810 | 80,380 | 69,700 |

100°F Ambient

| | | | | | | | | | |
|-------------|-----------|---|---------|---------|---------|---------|--------|--------|--------|
| R*DS04M4S** | 2DC3R53KE | - | 49,730 | 44,190 | 39,080 | 34,390 | 26,300 | 22,940 | 20,020 |
| R*DS05M4S** | 2DD3R63KE | - | 57,000 | 50,950 | 45,280 | 40,090 | 31,110 | 27,360 | 24,130 |
| R*DS06M4S** | 2DL3R78KE | - | 74,060 | 66,400 | 59,410 | 53,010 | 41,800 | 36,890 | 32,350 |
| R*DS07M4S** | 2DA3R89KE | - | 83,240 | 74,610 | 66,560 | 59,110 | 45,920 | 40,180 | 35,000 |
| R*DS08M4S** | 3DA3R10ME | - | 98,970 | 89,270 | 79,950 | 71,110 | 54,850 | 47,520 | 40,710 |
| R*DS10M4S** | 3DB3R12ME | - | 115,330 | 104,330 | 93,810 | 83,790 | 65,340 | 56,980 | 49,210 |
| R*DS12M4S** | 3DF3R15ME | - | 137,660 | 124,140 | 111,220 | 98,940 | 76,550 | 66,550 | 57,470 |
| R*DS15M4S** | 3DS3R17ME | - | 153,790 | 139,390 | 125,500 | 112,240 | 87,710 | 76,490 | 66,010 |

110°F Ambient

| | | | | | | | | | |
|-------------|-----------|---|---|---------|---------|---------|--------|--------|--------|
| R*DS04M4S** | 2DC3R53KE | - | - | 40,120 | 35,370 | 31,040 | 23,670 | 20,640 | 18,050 |
| R*DS05M4S** | 2DD3R63KE | - | - | 46,440 | 41,210 | 36,430 | 28,260 | 24,890 | 22,030 |
| R*DS06M4S** | 2DL3R78KE | - | - | 60,770 | 54,250 | 48,310 | 37,920 | 33,390 | 29,220 |
| R*DS07M4S** | 2DA3R89KE | - | - | 68,140 | 60,670 | 53,760 | 41,540 | 36,230 | 31,440 |
| R*DS08M4S** | 3DA3R10ME | - | - | 81,630 | 72,840 | 64,440 | 48,860 | 41,740 | 35,110 |
| R*DS10M4S** | 3DB3R12ME | - | - | 95,100 | 85,160 | 75,680 | 58,020 | 49,960 | 42,390 |
| R*DS12M4S** | 3DF3R15ME | - | - | 113,250 | 101,060 | 89,460 | 68,180 | 58,620 | 49,840 |
| R*DS15M4S** | 3DS3R17ME | - | - | 128,190 | 115,220 | 102,730 | 79,460 | 68,700 | 58,530 |

* Each asterisk represents a variable character based upon model, voltage, and vintage ordered. See page 4 for nomenclature.

‡ Multiply capacity by .83 when used with 50 Hz power.

AIR COOLED CONDENSING UNITS

Capacity Data (BTUH) - Medium Temperature R448A/449A Discus - 60 Hz[‡]

SUCTION TEMPERATURE

| MODEL | COMP. MODEL | 40°F | 35°F | 30°F | 25°F | 20°F | 10°F | 5°F | 0°F |
|-------|-------------|------|------|------|------|------|------|-----|-----|
|-------|-------------|------|------|------|------|------|------|-----|-----|

90°F Ambient

| | | | | | | | | | |
|-------------|-----------|---------|---------|---------|---------|---------|---------|--------|--------|
| R*DS04M4S** | 2DC3R53KE | 61,260 | 55,110 | 49,300 | 43,900 | 38,870 | 30,050 | 26,270 | 22,940 |
| R*DS05M4S** | 2DD3R63KE | 69,690 | 62,990 | 56,630 | 50,640 | 45,060 | 35,240 | 31,040 | 27,330 |
| R*DS06M4S** | 2DL3R78KE | 90,110 | 81,370 | 73,290 | 65,820 | 58,910 | 46,610 | 41,130 | 36,010 |
| R*DS07M4S** | 2DA3R89K | 101,250 | 91,670 | 82,630 | 74,120 | 66,180 | 51,930 | 45,650 | 39,930 |
| R*DS08M4S** | 3DA3R10M | 118,270 | 108,060 | 98,360 | 89,140 | 80,390 | 64,110 | 56,490 | 49,140 |
| R*DS10M4S** | 3DB3R12M | 137,580 | 126,020 | 115,070 | 104,640 | 94,690 | 76,220 | 67,550 | 59,140 |
| R*DS12M4S** | 3DF3R15M | 164,930 | 150,670 | 137,060 | 124,050 | 111,640 | 88,780 | 78,320 | 68,440 |
| R*DS15M4S** | 3DS3R17M | 183,380 | 168,020 | 153,200 | 138,990 | 125,390 | 100,020 | 88,280 | 77,150 |

95°F Ambient

| | | | | | | | | | |
|-------------|-----------|---------|---------|---------|---------|---------|--------|--------|--------|
| R*DS04M4S** | 2DC3R53KE | 58,830 | 52,860 | 47,250 | 42,020 | 37,150 | 28,630 | 25,020 | 21,850 |
| R*DS05M4S** | 2DD3R63KE | 67,000 | 60,520 | 54,360 | 48,570 | 43,190 | 33,720 | 29,700 | 26,170 |
| R*DS06M4S** | 2DL3R78KE | 86,850 | 78,390 | 70,580 | 63,340 | 56,670 | 44,760 | 39,450 | 34,500 |
| R*DS07M4S** | 2DA3R89K | 97,500 | 88,230 | 79,480 | 71,250 | 63,560 | 49,750 | 43,700 | 38,160 |
| R*DS08M4S** | 3DA3R10M | 114,080 | 104,210 | 94,820 | 85,850 | 77,300 | 61,220 | 53,610 | 46,230 |
| R*DS10M4S** | 3DB3R12M | 132,690 | 121,520 | 110,900 | 100,750 | 91,050 | 72,800 | 64,150 | 55,720 |
| R*DS12M4S** | 3DF3R15M | 158,970 | 145,200 | 132,000 | 119,380 | 107,320 | 84,890 | 74,570 | 64,750 |
| R*DS15M4S** | 3DS3R17M | 176,940 | 162,120 | 147,820 | 134,030 | 120,810 | 96,020 | 84,480 | 73,430 |

100°F Ambient

| | | | | | | | | | |
|-------------|-----------|---|---------|---------|---------|---------|--------|--------|--------|
| R*DS04M4S** | 2DC3R53KE | - | 50,640 | 45,200 | 40,130 | 35,440 | 27,240 | 23,800 | 20,790 |
| R*DS05M4S** | 2DD3R63KE | - | 58,040 | 52,110 | 46,500 | 41,310 | 32,220 | 28,390 | 25,060 |
| R*DS06M4S** | 2DL3R78KE | - | 75,390 | 67,830 | 60,850 | 54,390 | 42,880 | 37,750 | 32,960 |
| R*DS07M4S** | 2DA3R89K | - | 84,770 | 76,310 | 68,350 | 60,910 | 47,570 | 41,690 | 36,350 |
| R*DS08M4S** | 3DA3R10M | - | 100,330 | 91,230 | 82,470 | 74,090 | 58,160 | 50,560 | 43,090 |
| R*DS10M4S** | 3DB3R12M | - | 116,940 | 106,620 | 96,730 | 87,230 | 69,170 | 60,520 | 52,040 |
| R*DS12M4S** | 3DF3R15M | - | 139,650 | 126,840 | 114,570 | 102,810 | 80,810 | 70,540 | 60,780 |
| R*DS15M4S** | 3DS3R17M | - | 156,200 | 142,400 | 129,030 | 116,170 | 91,930 | 80,530 | 69,620 |

110°F Ambient

| | | | | | | | | | |
|-------------|-----------|---|---|---------|---------|---------|--------|--------|--------|
| R*DS04M4S** | 2DC3R53KE | - | - | 41,140 | 36,420 | 32,070 | 24,590 | 21,470 | 18,780 |
| R*DS05M4S** | 2DD3R63KE | - | - | 47,620 | 42,430 | 37,640 | 29,360 | 25,890 | 22,920 |
| R*DS06M4S** | 2DL3R78KE | - | - | 62,300 | 55,800 | 49,800 | 39,080 | 34,300 | 29,840 |
| R*DS07M4S** | 2DA3R89K | - | - | 69,870 | 62,470 | 55,550 | 43,150 | 37,690 | 32,730 |
| R*DS08M4S** | 3DA3R10M | - | - | 83,870 | 75,490 | 67,370 | 51,620 | 43,930 | 36,340 |
| R*DS10M4S** | 3DB3R12M | - | - | 97,680 | 88,210 | 79,050 | 61,240 | 52,580 | 43,970 |
| R*DS12M4S** | 3DF3R15M | - | - | 116,250 | 104,560 | 93,300 | 71,940 | 61,830 | 52,080 |
| R*DS15M4S** | 3DS3R17M | - | - | 131,430 | 118,910 | 106,720 | 83,530 | 72,470 | 61,740 |

* Each asterisk represents a variable character based upon model, voltage, and vintage ordered. See page 4 for nomenclature.

‡ Multiply capacity by .83 when used with 50 Hz power.

3TO 22 HP

Capacity Data (BTUH) - Extended Range Medium Temperature R404A Scroll - 60 Hz[‡]

SUCTION TEMPERATURE

| MODEL | COMP. MODEL | 40°F | 30°F | 25°F | 20°F | 0°F | -5°F | -10°F | -20°F |
|---------------------|-------------|---------|---------|---------|---------|--------|--------|--------|--------|
| 90°F Ambient | | | | | | | | | |
| R*OS04E4S** | ZS29KAE | 52,410 | 43,140 | 38,970 | 35,110 | 22,560 | 20,080 | 17,820 | 13,940 |
| R*OS05E4S** | ZS33KAE | 57,130 | 47,120 | 42,610 | 38,420 | 24,750 | 22,030 | 19,570 | 15,320 |
| R*OS06E4S** | ZS38K4E | 61,160 | 51,260 | 46,740 | 42,520 | 28,340 | 25,440 | 22,770 | 18,050 |
| R*OS07E4S** | ZS45K4E | 77,150 | 64,210 | 58,400 | 53,020 | 35,250 | 31,650 | 28,340 | 22,480 |
| R*OS08E4S** | ZB58K5E | 100,260 | 83,740 | 76,270 | 69,290 | 45,360 | 40,140 | 35,130 | - |
| R*OS09E4S** | ZB66K5E | 111,620 | 93,890 | 85,730 | 78,040 | 51,720 | 46,170 | 40,970 | - |
| R*OS10E4S** | ZB76K5E | 126,230 | 106,310 | 97,210 | 88,650 | 59,330 | 53,060 | 47,140 | - |
| R*OS13E4S** | ZB95K5E | 160,490 | 134,950 | 123,180 | 112,050 | 73,480 | 65,130 | 57,210 | - |
| R*OS15E4S** | ZB114K5E | 186,810 | 157,560 | 143,930 | 130,980 | 86,020 | 76,430 | 67,480 | - |

95°F Ambient

| | | | | | | | | | |
|-------------|----------|---------|---------|---------|---------|--------|--------|--------|--------|
| R*OS04E4S** | ZS29KAE | 50,350 | 41,430 | 37,420 | 33,710 | 21,640 | 19,260 | 17,100 | 13,390 |
| R*OS05E4S** | ZS33KAE | 54,870 | 45,240 | 40,900 | 36,880 | 23,740 | 21,130 | 18,780 | 14,710 |
| R*OS06E4S** | ZS38K4E | 58,670 | 49,140 | 44,800 | 40,730 | 27,110 | 24,330 | 21,780 | 17,290 |
| R*OS07E4S** | ZS45K4E | 74,080 | 61,600 | 56,000 | 50,810 | 33,730 | 30,280 | 27,120 | 21,560 |
| R*OS08E4S** | ZB58K5E | 96,270 | 80,360 | 73,150 | 66,390 | 43,060 | 37,930 | - | - |
| R*OS09E4S** | ZB66K5E | 106,840 | 89,850 | 82,030 | 74,660 | 49,390 | 44,040 | - | - |
| R*OS10E4S** | ZB76K5E | 120,950 | 101,850 | 93,120 | 84,910 | 56,830 | 50,840 | - | - |
| R*OS13E4S** | ZB95K5E | 153,810 | 129,260 | 117,920 | 107,200 | 69,850 | 61,740 | - | - |
| R*OS15E4S** | ZB114K5E | 178,980 | 150,810 | 137,670 | 125,180 | 81,740 | 72,460 | - | - |

100°F Ambient

| | | | | | | | | | |
|-------------|----------|---|---------|---------|---------|--------|--------|--------|--------|
| R*OS04E4S** | ZS29KAE | - | 39,680 | 35,840 | 32,270 | 20,710 | 18,430 | 16,370 | 12,830 |
| R*OS05E4S** | ZS33KAE | - | 43,320 | 39,160 | 35,300 | 22,710 | 20,220 | 17,970 | 14,100 |
| R*OS06E4S** | ZS38K4E | - | 47,000 | 42,820 | 38,920 | 25,860 | 23,210 | 20,770 | 16,490 |
| R*OS07E4S** | ZS45K4E | - | 58,960 | 53,570 | 48,570 | 32,190 | 28,900 | 25,890 | 20,610 |
| R*OS08E4S** | ZB58K5E | - | 76,890 | 69,930 | 63,390 | 40,640 | - | - | - |
| R*OS09E4S** | ZB66K5E | - | 85,780 | 78,300 | 71,240 | 47,020 | - | - | - |
| R*OS10E4S** | ZB76K5E | - | 97,360 | 89,000 | 81,160 | 54,340 | - | - | - |
| R*OS13E4S** | ZB95K5E | - | 123,450 | 112,550 | 102,220 | 66,120 | - | - | - |
| R*OS15E4S** | ZB114K5E | - | 143,950 | 131,310 | 119,280 | 77,350 | - | - | - |

110°F Ambient

| | | | | | | | | | |
|-------------|----------|---|---------|---------|---------|--------|--------|--------|---|
| R*OS04E4S** | ZS29KAE | - | 36,080 | 32,560 | 29,310 | 18,770 | 16,700 | 14,830 | - |
| R*OS05E4S** | ZS33KAE | - | 39,340 | 35,550 | 32,020 | 20,560 | 18,310 | 16,270 | - |
| R*OS06E4S** | ZS38K4E | - | 42,620 | 38,800 | 35,220 | 23,310 | 20,890 | 18,690 | - |
| R*OS07E4S** | ZS45K4E | - | 53,590 | 48,610 | 44,030 | 29,070 | 26,090 | 23,380 | - |
| R*OS08E4S** | ZB58K5E | - | 69,640 | 63,170 | 57,050 | 35,480 | - | - | - |
| R*OS09E4S** | ZB66K5E | - | 77,490 | 70,690 | 64,280 | 42,170 | - | - | - |
| R*OS10E4S** | ZB76K5E | - | 88,240 | 80,670 | 73,570 | 49,340 | - | - | - |
| R*OS13E4S** | ZB95K5E | - | 111,470 | 101,450 | 91,920 | 58,330 | - | - | - |
| R*OS15E4S** | ZB114K5E | - | 129,840 | 118,210 | 107,130 | 68,300 | - | - | - |

* Each asterisk represents a variable character based upon model, voltage, and vintage ordered. See page 4 for nomenclature.

‡ Multiply capacity by .83 when used with 50 Hz power.

Maximum 35°F Compressor Superheat

AIR COOLED CONDENSING UNITS

Capacity Data (BTUH) - Extended Range Medium Temperature R407A Scroll - 60 Hz[‡]

SUCTION TEMPERATURE

| MODEL | COMP. MODEL | 40°F | 30°F | 25°F | 20°F | 0°F | -5°F | -10°F | -20°F |
|-------|-------------|------|------|------|------|-----|------|-------|-------|
|-------|-------------|------|------|------|------|-----|------|-------|-------|

90°F Ambient

| | | | | | | | | | |
|-------------|----------|---------|---------|---------|---------|--------|--------|--------|--------|
| R*OS04E4S** | ZS29KAE | 46,850 | 38,390 | 34,690 | 31,310 | 20,400 | 18,180 | 16,100 | 12,250 |
| R*OS05E4S** | ZS33KAE | 47,770 | 42,630 | 39,170 | 35,310 | 23,020 | 20,520 | 18,170 | 13,740 |
| R*OS06E4S** | ZS38K4E | 52,720 | 43,290 | 39,160 | 35,380 | 23,110 | 20,600 | 18,240 | 13,870 |
| R*OS07E4S** | ZS45K4E | 59,660 | 52,040 | 48,220 | 44,420 | 30,130 | 26,910 | 23,910 | 18,640 |
| R*OS08E4S** | ZB58K5E | 93,650 | 76,600 | 69,170 | 62,340 | 38,710 | 33,100 | 27,380 | - |
| R*OS09E4S** | ZB66K5E | 104,760 | 86,620 | 78,120 | 70,030 | 42,560 | 37,050 | 32,200 | - |
| R*OS10E4S** | ZB76K5E | 120,130 | 99,460 | 90,240 | 81,670 | 51,870 | 44,980 | 38,030 | - |
| R*OS13E4S** | ZB95K5E | 152,630 | 126,010 | 113,560 | 101,710 | 61,130 | 52,860 | 45,390 | - |
| R*OS15E4S** | ZB114K5E | 179,120 | 148,010 | 133,380 | 119,450 | 71,950 | 62,430 | 53,990 | - |

95°F Ambient

| | | | | | | | | | |
|-------------|----------|---------|---------|---------|---------|--------|--------|--------|--------|
| R*OS04E4S** | ZS29KAE | 45,380 | 37,100 | 33,520 | 30,240 | 19,660 | 17,510 | 15,500 | 11,770 |
| R*OS05E4S** | ZS33KAE | 46,560 | 40,510 | 37,810 | 34,070 | 22,210 | 19,800 | 17,520 | 13,200 |
| R*OS06E4S** | ZS38K4E | 51,050 | 41,840 | 37,830 | 34,160 | 22,280 | 19,840 | 17,560 | 13,320 |
| R*OS07E4S** | ZS45K4E | 58,300 | 50,790 | 47,040 | 43,310 | 29,310 | 26,180 | 23,260 | 18,100 |
| R*OS08E4S** | ZB58K5E | 90,430 | 74,100 | 66,930 | 60,300 | 36,770 | 31,050 | - | - |
| R*OS09E4S** | ZB66K5E | 101,190 | 83,410 | 75,140 | 67,290 | 40,800 | 35,590 | - | - |
| R*OS10E4S** | ZB76K5E | 116,030 | 96,140 | 87,310 | 79,060 | 49,860 | 42,940 | - | - |
| R*OS13E4S** | ZB95K5E | 147,410 | 121,340 | 109,220 | 97,670 | 58,350 | 50,400 | - | - |
| R*OS15E4S** | ZB114K5E | 172,980 | 142,480 | 128,200 | 114,640 | 68,670 | 59,580 | - | - |

100°F Ambient

| | | | | | | | | | |
|-------------|----------|---|---------|---------|---------|--------|--------|--------|---|
| R*OS04E4S** | ZS29KAE | - | 35,800 | 32,330 | 29,160 | 18,930 | 16,850 | 14,900 | - |
| R*OS05E4S** | ZS33KAE | - | 38,500 | 35,850 | 32,310 | 21,060 | 18,770 | 16,600 | - |
| R*OS06E4S** | ZS38K4E | - | 40,360 | 36,480 | 32,930 | 21,440 | 19,090 | 16,880 | - |
| R*OS07E4S** | ZS45K4E | - | 49,540 | 45,860 | 42,220 | 28,520 | 25,450 | 22,590 | - |
| R*OS08E4S** | ZB58K5E | - | 71,500 | 64,580 | 58,120 | 34,660 | - | - | - |
| R*OS09E4S** | ZB66K5E | - | 80,130 | 72,120 | 64,530 | 39,120 | - | - | - |
| R*OS10E4S** | ZB76K5E | - | 92,790 | 84,340 | 76,400 | 47,790 | - | - | - |
| R*OS13E4S** | ZB95K5E | - | 116,550 | 104,760 | 93,550 | 55,570 | - | - | - |
| R*OS15E4S** | ZB114K5E | - | 136,850 | 122,940 | 109,770 | 65,450 | - | - | - |

110°F Ambient

| | | | | | | | | | |
|-------------|----------|---|---------|---------|--------|--------|--------|---|---|
| R*OS04E4S** | ZS29KAE | - | 33,230 | 29,960 | 27,010 | 17,470 | 15,530 | - | - |
| R*OS05E4S** | ZS33KAE | - | 35,100 | 33,000 | 29,740 | 19,430 | 17,320 | - | - |
| R*OS06E4S** | ZS38K4E | - | 37,410 | 33,790 | 30,480 | 19,780 | 17,590 | - | - |
| R*OS07E4S** | ZS45K4E | - | 47,170 | 43,620 | 40,110 | 26,940 | 23,990 | - | - |
| R*OS08E4S** | ZB58K5E | - | 66,030 | 59,550 | 53,400 | 30,040 | - | - | - |
| R*OS09E4S** | ZB66K5E | - | 73,480 | 66,020 | 59,010 | 36,000 | - | - | - |
| R*OS10E4S** | ZB76K5E | - | 86,010 | 78,310 | 70,980 | 43,530 | - | - | - |
| R*OS13E4S** | ZB95K5E | - | 106,680 | 95,620 | 85,190 | 50,180 | - | - | - |
| R*OS15E4S** | ZB114K5E | - | 125,280 | 112,240 | 99,930 | 59,180 | - | - | - |

* Each asterisk represents a variable character based upon model, voltage, and vintage ordered. See page 4 for nomenclature.

‡ Multiply capacity by .83 when used with 50 Hz power.

Maximum 35°F Compressor Superheat

3TO 22 HP

Capacity Data (BTUH) - Extended Range Medium Temperature R407C Scroll - 60 Hz[‡]

SUCTION TEMPERATURE

| MODEL | COMP. MODEL | 40°F | 30°F | 25°F | 20°F | 10°F | 0°F | -5°F | -10°F |
|-------|-------------|------|------|------|------|------|-----|------|-------|
|-------|-------------|------|------|------|------|------|-----|------|-------|

90°F Ambient

| | | | | | | | | | |
|-------------|----------|---------|---------|---------|--------|--------|--------|---|---|
| R*OS04E4S** | ZS29KAE | 45,250 | 37,350 | 33,700 | 30,230 | 23,800 | 17,940 | - | - |
| R*OS05E4S** | ZS33KAE | 46,010 | 40,460 | 37,120 | 33,260 | 26,170 | 19,750 | - | - |
| R*OS06E4S** | ZS38K4E | 52,590 | 43,180 | 39,060 | 35,290 | 28,660 | 23,050 | - | - |
| R*OS07E4S** | ZS45K4E | 59,510 | 51,910 | 48,100 | 44,310 | 36,940 | 30,060 | - | - |
| R*OS08E4S** | ZB58K5E | 90,480 | 74,840 | 67,470 | 60,450 | 47,580 | 36,450 | - | - |
| R*OS09E4S** | ZB66K5E | 101,960 | 83,110 | 74,780 | 67,100 | 53,510 | 41,990 | - | - |
| R*OS10E4S** | ZB76K5E | 116,320 | 97,230 | 88,150 | 79,490 | 63,670 | 50,130 | - | - |
| R*OS13E4S** | ZB95K5E | 147,900 | 119,400 | 106,840 | 95,290 | 74,950 | 57,780 | - | - |
| R*OS15E4S** | ZB114K5E | - | - | - | - | - | - | - | - |

95°F Ambient

| | | | | | | | | | |
|-------------|----------|---------|---------|---------|--------|--------|---|---|---|
| R*OS04E4S** | ZS29KAE | 44,030 | 36,350 | 32,820 | 29,440 | 23,140 | - | - | - |
| R*OS05E4S** | ZS33KAE | 45,070 | 38,720 | 36,110 | 32,360 | 25,440 | - | - | - |
| R*OS06E4S** | ZS38K4E | 50,920 | 41,740 | 37,740 | 34,080 | 27,660 | - | - | - |
| R*OS07E4S** | ZS45K4E | 58,160 | 50,660 | 46,920 | 43,200 | 35,990 | - | - | - |
| R*OS08E4S** | ZB58K5E | 88,230 | 72,650 | 65,310 | 58,330 | 45,560 | - | - | - |
| R*OS09E4S** | ZB66K5E | 99,080 | 80,660 | 72,550 | 65,060 | 51,760 | - | - | - |
| R*OS10E4S** | ZB76K5E | 113,480 | 94,500 | 85,590 | 77,100 | 61,650 | - | - | - |
| R*OS13E4S** | ZB95K5E | 142,990 | 115,280 | 103,090 | 91,850 | 72,010 | - | - | - |
| R*OS15E4S** | ZB114K5E | - | - | - | - | - | - | - | - |

100°F Ambient

| | | | | | | | | | |
|-------------|----------|---|---------|--------|--------|--------|---|---|---|
| R*OS04E4S** | ZS29KAE | - | 35,350 | 31,930 | 28,640 | 22,450 | - | - | - |
| R*OS05E4S** | ZS33KAE | - | 37,090 | 34,530 | 30,960 | 24,280 | - | - | - |
| R*OS06E4S** | ZS38K4E | - | 40,260 | 36,390 | 32,850 | 26,640 | - | - | - |
| R*OS07E4S** | ZS45K4E | - | 49,420 | 45,750 | 42,120 | 35,050 | - | - | - |
| R*OS08E4S** | ZB58K5E | - | 70,270 | 62,980 | 56,040 | 43,390 | - | - | - |
| R*OS09E4S** | ZB66K5E | - | 78,200 | 70,300 | 63,000 | 49,960 | - | - | - |
| R*OS10E4S** | ZB76K5E | - | 91,730 | 82,980 | 74,670 | 59,630 | - | - | - |
| R*OS13E4S** | ZB95K5E | - | 111,180 | 99,330 | 88,390 | 69,040 | - | - | - |
| R*OS15E4S** | ZB114K5E | - | - | - | - | - | - | - | - |

110°F Ambient

| | | | | | | | | | |
|-------------|----------|---|---------|--------|--------|--------|---|---|---|
| R*OS04E4S** | ZS29KAE | - | 33,430 | 30,150 | 27,010 | 20,950 | - | - | - |
| R*OS05E4S** | ZS33KAE | - | 34,450 | 32,400 | 29,010 | 22,610 | - | - | - |
| R*OS06E4S** | ZS38K4E | - | 37,320 | 33,710 | 30,400 | 24,610 | - | - | - |
| R*OS07E4S** | ZS45K4E | - | 47,050 | 43,510 | 40,010 | 33,220 | - | - | - |
| R*OS08E4S** | ZB58K5E | - | 65,080 | 57,880 | 51,070 | 38,730 | - | - | - |
| R*OS09E4S** | ZB66K5E | - | 73,300 | 65,780 | 58,810 | 46,260 | - | - | - |
| R*OS10E4S** | ZB76K5E | - | 86,070 | 77,680 | 69,750 | 55,570 | - | - | - |
| R*OS13E4S** | ZB95K5E | - | 103,010 | 91,810 | 81,470 | 62,910 | - | - | - |
| R*OS15E4S** | ZB114K5E | - | - | - | - | - | - | - | - |

* Each asterisk represents a variable character based upon model, voltage, and vintage ordered. See page 4 for nomenclature.

‡ Multiply capacity by .83 when used with 50 Hz power.

Maximum 35°F Compressor Superheat

AIR COOLED CONDENSING UNITS

Capacity Data (BTUH) - Extended Range Medium Temperature R407F Scroll - 60 Hz[‡]

SUCTION TEMPERATURE

| MODEL | COMP. MODEL | 40°F | 30°F | 25°F | 20°F | 10°F | 0°F | -5°F | -10°F |
|-------|-------------|------|------|------|------|------|-----|------|-------|
|-------|-------------|------|------|------|------|------|-----|------|-------|

90°F Ambient

| | | | | | | | | | |
|-------------|----------|---------|---------|---------|---------|--------|--------|--------|---|
| R*OS04E4S** | ZS29KAE | - | - | - | - | - | - | - | - |
| R*OS05E4S** | ZS33KAE | - | - | - | - | - | - | - | - |
| R*OS06E4S** | ZS38K4E | - | - | - | - | - | - | - | - |
| R*OS07E4S** | ZS45K4E | - | - | - | - | - | - | - | - |
| R*OS08E4S** | ZB58K5E | 93,650 | 76,600 | 69,170 | 62,340 | 50,030 | 38,710 | 33,100 | - |
| R*OS09E4S** | ZB66K5E | 104,760 | 86,620 | 78,120 | 70,030 | 55,230 | 42,560 | 37,050 | - |
| R*OS10E4S** | ZB76K5E | 120,130 | 99,460 | 90,240 | 81,670 | 66,110 | 51,870 | 44,980 | - |
| R*OS13E4S** | ZB95K5E | 152,630 | 126,010 | 113,560 | 101,710 | 79,990 | 61,130 | 52,860 | - |
| R*OS15E4S** | ZB114K5E | 179,120 | 148,010 | 133,380 | 119,450 | 93,900 | 71,950 | 62,430 | - |

95°F Ambient

| | | | | | | | | | |
|-------------|----------|---------|---------|---------|---------|--------|--------|---|---|
| R*OS04E4S** | ZS29KAE | - | - | - | - | - | - | - | - |
| R*OS05E4S** | ZS33KAE | - | - | - | - | - | - | - | - |
| R*OS06E4S** | ZS38K4E | - | - | - | - | - | - | - | - |
| R*OS07E4S** | ZS45K4E | - | - | - | - | - | - | - | - |
| R*OS08E4S** | ZB58K5E | 90,430 | 74,100 | 66,930 | 60,300 | 48,160 | 36,770 | - | - |
| R*OS09E4S** | ZB66K5E | 101,190 | 83,410 | 75,140 | 67,290 | 52,980 | 40,800 | - | - |
| R*OS10E4S** | ZB76K5E | 116,030 | 96,140 | 87,310 | 79,060 | 63,930 | 49,860 | - | - |
| R*OS13E4S** | ZB95K5E | 147,410 | 121,340 | 109,220 | 97,670 | 76,570 | 58,350 | - | - |
| R*OS15E4S** | ZB114K5E | 172,980 | 142,480 | 128,200 | 114,640 | 89,880 | 68,670 | - | - |

100°F Ambient

| | | | | | | | | | |
|-------------|----------|---|---------|---------|---------|--------|---|---|---|
| R*OS04E4S** | ZS29KAE | - | - | - | - | - | - | - | - |
| R*OS05E4S** | ZS33KAE | - | - | - | - | - | - | - | - |
| R*OS06E4S** | ZS38K4E | - | - | - | - | - | - | - | - |
| R*OS07E4S** | ZS45K4E | - | - | - | - | - | - | - | - |
| R*OS08E4S** | ZB58K5E | - | 71,500 | 64,580 | 58,120 | 46,130 | - | - | - |
| R*OS09E4S** | ZB66K5E | - | 80,130 | 72,120 | 64,530 | 50,740 | - | - | - |
| R*OS10E4S** | ZB76K5E | - | 92,790 | 84,340 | 76,400 | 61,700 | - | - | - |
| R*OS13E4S** | ZB95K5E | - | 116,550 | 104,760 | 93,550 | 73,140 | - | - | - |
| R*OS15E4S** | ZB114K5E | - | 136,850 | 122,940 | 109,770 | 85,800 | - | - | - |

110°F Ambient

| | | | | | | | | | |
|-------------|----------|---|---------|---------|--------|---|---|---|---|
| R*OS04E4S** | ZS29KAE | - | - | - | - | - | - | - | - |
| R*OS05E4S** | ZS33KAE | - | - | - | - | - | - | - | - |
| R*OS06E4S** | ZS38K4E | - | - | - | - | - | - | - | - |
| R*OS07E4S** | ZS45K4E | - | - | - | - | - | - | - | - |
| R*OS08E4S** | ZB58K5E | - | 66,030 | 59,550 | 53,400 | - | - | - | - |
| R*OS09E4S** | ZB66K5E | - | 73,480 | 66,020 | 59,010 | - | - | - | - |
| R*OS10E4S** | ZB76K5E | - | 86,010 | 78,310 | 70,980 | - | - | - | - |
| R*OS13E4S** | ZB95K5E | - | 106,680 | 95,620 | 85,190 | - | - | - | - |
| R*OS15E4S** | ZB114K5E | - | 125,280 | 112,240 | 99,930 | - | - | - | - |

* Each asterisk represents a variable character based upon model, voltage, and vintage ordered. See page 4 for nomenclature.

‡ Multiply capacity by .83 when used with 50 Hz power.

Maximum 35°F Compressor Superheat

3TO 22 HP

Capacity Data (BTUH) - Extended Range Medium Temperature R448/449A Scroll - 60 Hz[‡]

SUCTION TEMPERATURE

| MODEL | COMP. MODEL | 40°F | 30°F | 25°F | 20°F | 0°F | -5°F | -10°F | -20°F |
|-------|-------------|------|------|------|------|-----|------|-------|-------|
|-------|-------------|------|------|------|------|-----|------|-------|-------|

90°F Ambient

| | | | | | | | | | |
|-------------|----------|---------|---------|---------|---------|--------|--------|--------|--------|
| R*OS04E4S** | ZS29KAE | 47,250 | 40,840 | 36,950 | 33,300 | 20,930 | 18,350 | 15,940 | 11,480 |
| R*OS05E4S** | ZS33KAE | 48,860 | 44,030 | 40,510 | 36,460 | 22,930 | 20,110 | 17,470 | 13,450 |
| R*OS06E4S** | ZS38K4E | 54,130 | 44,290 | 40,100 | 36,340 | 24,520 | 22,130 | 19,850 | 15,410 |
| R*OS07E4S** | ZS45K4E | 61,210 | 53,200 | 49,320 | 45,550 | 31,860 | 28,800 | 25,940 | 20,580 |
| R*OS08E4S** | ZB58K5E | 93,930 | 77,810 | 70,370 | 63,330 | 38,760 | 33,370 | 28,250 | - |
| R*OS09E4S** | ZB66K5E | 106,260 | 87,220 | 78,830 | 71,070 | 44,740 | 38,860 | 33,130 | - |
| R*OS10E4S** | ZB76K5E | 119,290 | 100,100 | 91,000 | 82,290 | 51,500 | 44,850 | 38,570 | - |
| R*OS13E4S** | ZB95K5E | 160,200 | 127,670 | 114,120 | 101,990 | 62,060 | 52,750 | 43,090 | - |
| R*OS15E4S** | ZB114K5E | 188,270 | 150,190 | 134,260 | 119,990 | 73,150 | 62,340 | 51,220 | - |

95°F Ambient

| | | | | | | | | | |
|-------------|----------|---------|---------|---------|---------|--------|--------|--------|--------|
| R*OS04E4S** | ZS29KAE | 45,050 | 39,460 | 35,700 | 32,160 | 20,170 | 17,670 | 15,350 | 10,670 |
| R*OS05E4S** | ZS33KAE | 47,630 | 41,840 | 39,100 | 35,180 | 22,120 | 19,400 | 16,850 | 13,520 |
| R*OS06E4S** | ZS38K4E | 52,410 | 42,800 | 38,740 | 35,080 | 23,640 | 21,310 | 19,110 | 14,820 |
| R*OS07E4S** | ZS45K4E | 59,810 | 51,920 | 48,120 | 44,420 | 30,990 | 28,020 | 25,240 | 19,990 |
| R*OS08E4S** | ZB58K5E | 90,700 | 75,270 | 68,090 | 61,260 | 36,820 | 31,300 | - | - |
| R*OS09E4S** | ZB66K5E | 102,640 | 83,990 | 75,820 | 68,290 | 42,890 | 37,330 | - | - |
| R*OS10E4S** | ZB76K5E | 115,220 | 96,750 | 88,050 | 79,660 | 49,500 | 42,810 | - | - |
| R*OS13E4S** | ZB95K5E | 154,720 | 122,940 | 109,760 | 97,940 | 59,240 | 50,300 | - | - |
| R*OS15E4S** | ZB114K5E | 181,810 | 144,580 | 129,050 | 115,160 | 69,820 | 59,490 | - | - |

100°F Ambient

| | | | | | | | | | |
|-------------|----------|---|---------|---------|---------|--------|--------|--------|---|
| R*OS04E4S** | ZS29KAE | - | 38,210 | 34,520 | 31,030 | 19,060 | 16,530 | 14,170 | - |
| R*OS05E4S** | ZS33KAE | - | 39,900 | 37,160 | 33,380 | 20,590 | 17,880 | 15,320 | - |
| R*OS06E4S** | ZS38K4E | - | 40,820 | 36,960 | 33,490 | 22,640 | 20,440 | 18,330 | - |
| R*OS07E4S** | ZS45K4E | - | 50,040 | 46,390 | 42,860 | 30,010 | 27,160 | 24,480 | - |
| R*OS08E4S** | ZB58K5E | - | 73,940 | 66,710 | 59,790 | 34,840 | - | - | - |
| R*OS09E4S** | ZB66K5E | - | 82,380 | 74,590 | 67,260 | 40,840 | - | - | - |
| R*OS10E4S** | ZB76K5E | - | 95,080 | 86,360 | 77,930 | 47,570 | - | - | - |
| R*OS13E4S** | ZB95K5E | - | 118,250 | 105,660 | 94,200 | 54,210 | - | - | - |
| R*OS15E4S** | ZB114K5E | - | 139,070 | 124,210 | 110,730 | 63,920 | - | - | - |

110°F Ambient

| | | | | | | | | | |
|-------------|----------|---|---------|---------|---------|--------|--------|---|---|
| R*OS04E4S** | ZS29KAE | - | 35,490 | 31,930 | 28,580 | 16,930 | 14,430 | - | - |
| R*OS05E4S** | ZS33KAE | - | 36,400 | 34,140 | 30,560 | 18,280 | 15,620 | - | - |
| R*OS06E4S** | ZS38K4E | - | 37,230 | 33,710 | 30,540 | 20,660 | 18,640 | - | - |
| R*OS07E4S** | ZS45K4E | - | 46,900 | 43,460 | 40,140 | 28,100 | 25,430 | - | - |
| R*OS08E4S** | ZB58K5E | - | 69,000 | 61,970 | 55,160 | 30,010 | - | - | - |
| R*OS09E4S** | ZB66K5E | - | 76,900 | 69,640 | 62,690 | 35,980 | - | - | - |
| R*OS10E4S** | ZB76K5E | - | 89,060 | 80,760 | 72,670 | 43,030 | - | - | - |
| R*OS13E4S** | ZB95K5E | - | 108,330 | 96,510 | 85,590 | 44,860 | - | - | - |
| R*OS15E4S** | ZB114K5E | - | 127,450 | 113,480 | 100,580 | 52,960 | - | - | - |

* Each asterisk represents a variable character based upon model, voltage, and vintage ordered. See page 4 for nomenclature.

‡ Multiply capacity by .83 when used with 50 Hz power.

Maximum 35°F Compressor Superheat

AIR COOLED CONDENSING UNITS

Capacity Data (BTUH) - Extended Range Medium Temperature R404A Bitzer - 60 Hz[‡]

SUCTION TEMPERATURE

| MODEL | COMP. MODEL | 40°F | 30°F | 25°F | 20°F | 0°F | -5°F | -10°F | -20°F |
|-------|-------------|------|------|------|------|-----|------|-------|-------|
|-------|-------------|------|------|------|------|-----|------|-------|-------|

90°F Ambient

| | | | | | | | | | |
|-------------|---------|---------|---------|---------|---------|--------|--------|--------|--------|
| R*BS03E4S** | 2DES-3 | 52,900 | 43,780 | 39,610 | 35,700 | 22,580 | 19,890 | 17,420 | 13,060 |
| R*BS04E4S** | 2CES-4 | 62,790 | 52,340 | 47,520 | 42,990 | 27,590 | 24,410 | 21,470 | 16,260 |
| R*BS05E4S** | 4FES-5 | 67,580 | 56,240 | 51,010 | 46,080 | 29,390 | 25,970 | 22,830 | 17,330 |
| R*BS06E4S** | 4EES-6 | 89,670 | 73,790 | 66,570 | 59,830 | 37,500 | 33,000 | 28,890 | 21,740 |
| R*BS07E4S** | 4DES-7 | 104,950 | 86,760 | 78,470 | 70,700 | 44,800 | 39,540 | 34,740 | 26,350 |
| R*BS08E4S** | 4CES-9 | 123,380 | 102,230 | 92,560 | 83,480 | 53,040 | 46,840 | 41,160 | 31,220 |
| R*BS10E4S** | 4TES-12 | 150,290 | 124,990 | 113,310 | 102,270 | 64,900 | 57,210 | 50,150 | 37,770 |
| R*BS12E4S** | 4PES-15 | 179,260 | 147,790 | 133,340 | 119,770 | 74,320 | 65,110 | 56,700 | 42,070 |
| R*BS15E4S** | 4NES-20 | 204,870 | 170,390 | 154,430 | 139,350 | 88,260 | 77,790 | 68,190 | 51,410 |

95°F Ambient

| | | | | | | | | | |
|-------------|---------|---------|---------|---------|---------|--------|--------|--------|--------|
| R*BS03E4S** | 2DES-3 | 50,370 | 41,620 | 37,630 | 33,870 | 21,310 | 18,740 | 16,380 | 12,220 |
| R*BS04E4S** | 2CES-4 | 59,810 | 49,780 | 45,170 | 40,820 | 26,080 | 23,030 | 20,220 | 15,260 |
| R*BS05E4S** | 4FES-5 | 64,240 | 53,410 | 48,410 | 43,710 | 27,800 | 24,540 | 21,550 | 16,320 |
| R*BS06E4S** | 4EES-6 | 85,400 | 70,180 | 63,270 | 56,810 | 35,460 | 31,160 | 27,230 | 20,420 |
| R*BS07E4S** | 4DES-7 | 100,120 | 82,660 | 74,690 | 67,240 | 42,400 | 37,370 | 32,780 | 24,770 |
| R*BS08E4S** | 4CES-9 | 117,830 | 97,480 | 88,160 | 79,430 | 50,170 | 44,220 | 38,770 | 29,280 |
| R*BS10E4S** | 4TES-12 | 143,140 | 118,860 | 107,640 | 97,050 | 61,190 | 53,830 | 47,080 | 35,280 |
| R*BS12E4S** | 4PES-15 | 170,760 | 140,490 | 126,590 | 113,540 | 69,900 | 61,080 | 53,040 | 39,100 |
| R*BS15E4S** | 4NES-20 | 195,440 | 162,190 | 146,840 | 132,340 | 83,290 | 73,250 | 64,070 | 48,060 |

100°F Ambient

| | | | | | | | | | |
|-------------|---------|---|---------|---------|---------|--------|--------|--------|--------|
| R*BS03E4S** | 2DES-3 | - | 39,450 | 35,630 | 32,040 | 20,040 | 17,580 | 15,330 | 11,380 |
| R*BS04E4S** | 2CES-4 | - | 47,200 | 42,790 | 38,630 | 24,550 | 21,650 | 18,970 | 14,250 |
| R*BS05E4S** | 4FES-5 | - | 50,560 | 45,800 | 41,320 | 26,190 | 23,090 | 20,250 | 15,300 |
| R*BS06E4S** | 4EES-6 | - | 66,550 | 59,940 | 53,780 | 33,400 | 29,300 | 25,570 | 19,100 |
| R*BS07E4S** | 4DES-7 | - | 78,530 | 70,900 | 63,770 | 40,010 | 35,200 | 30,820 | 23,200 |
| R*BS08E4S** | 4CES-9 | - | 92,710 | 83,760 | 75,370 | 47,310 | 41,610 | 36,400 | 27,350 |
| R*BS10E4S** | 4TES-12 | - | 112,740 | 101,990 | 91,840 | 57,520 | 50,490 | 44,050 | 32,820 |
| R*BS12E4S** | 4PES-15 | - | 133,210 | 119,860 | 107,340 | 65,530 | 57,110 | 49,450 | 36,190 |
| R*BS15E4S** | 4NES-20 | - | 154,060 | 139,270 | 125,370 | 78,360 | 68,770 | 59,990 | 44,760 |

110°F Ambient

| | | | | | | | | | |
|-------------|---------|---|---------|---------|---------|--------|--------|--------|--------|
| R*BS03E4S** | 2DES-3 | - | 35,070 | 31,580 | 28,330 | 17,460 | 15,250 | 13,230 | 9,690 |
| R*BS04E4S** | 2CES-4 | - | 42,010 | 38,000 | 34,240 | 21,480 | 18,860 | 16,450 | 12,220 |
| R*BS05E4S** | 4FES-5 | - | 44,830 | 40,550 | 36,520 | 22,940 | 20,170 | 17,640 | 13,220 |
| R*BS06E4S** | 4EES-6 | - | 59,230 | 53,250 | 47,660 | 29,270 | 25,580 | 22,230 | 16,440 |
| R*BS07E4S** | 4DES-7 | - | 70,220 | 63,280 | 56,770 | 35,200 | 30,860 | 26,910 | 20,060 |
| R*BS08E4S** | 4CES-9 | - | 83,100 | 74,930 | 67,260 | 41,630 | 36,450 | 31,730 | 23,560 |
| R*BS10E4S** | 4TES-12 | - | 100,420 | 90,670 | 81,450 | 50,270 | 43,920 | 38,120 | 28,040 |
| R*BS12E4S** | 4PES-15 | - | 118,650 | 106,450 | 95,020 | 56,940 | 49,330 | 42,410 | 30,540 |
| R*BS15E4S** | 4NES-20 | - | 137,540 | 124,120 | 111,440 | 68,630 | 59,930 | 52,000 | 38,320 |

* Each asterisk represents a variable character based upon model, voltage, and vintage ordered. See page 4 for nomenclature.

‡ Multiply capacity by .83 when used with 50 Hz power.

3 TO 22 HP

Capacity Data (BTUH) - Extended Range Medium Temperature R407A Bitzer - 60 Hz[‡]

SUCTION TEMPERATURE

| MODEL | COMP. MODEL | 40°F | 30°F | 25°F | 20°F | 0°F | -5°F | -10°F | -20°F |
|-------|-------------|------|------|------|------|-----|------|-------|-------|
|-------|-------------|------|------|------|------|-----|------|-------|-------|

90°F Ambient

| | | | | | | | | | |
|-------------|---------|---------|---------|---------|---------|--------|--------|--------|--------|
| R*BS03E4S** | 2DES-3 | 49,970 | 40,190 | 35,830 | 31,810 | 18,810 | 16,260 | 13,960 | 10,030 |
| R*BS04E4S** | 2CES-4 | 60,040 | 48,590 | 43,450 | 38,700 | 23,230 | 20,180 | 17,420 | 12,670 |
| R*BS05E4S** | 4FES-5 | 65,300 | 52,900 | 47,310 | 42,130 | 25,260 | 21,920 | 18,900 | 13,710 |
| R*BS06E4S** | 4EES-6 | 84,840 | 68,320 | 60,950 | 54,140 | 32,150 | 27,840 | 23,940 | 17,330 |
| R*BS07E4S** | 4DES-7 | 98,200 | 79,240 | 70,760 | 62,910 | 37,460 | 32,420 | 27,880 | 20,110 |
| R*BS08E4S** | 4CES-9 | 117,460 | 95,430 | 85,500 | 76,280 | 46,160 | 40,140 | 34,700 | 25,360 |
| R*BS10E4S** | 4TES-12 | 143,940 | 117,450 | 105,410 | 94,160 | 56,990 | 49,500 | 42,670 | 30,860 |
| R*BS12E4S** | 4PES-15 | 169,640 | 137,270 | 122,680 | 109,130 | 64,650 | 55,810 | 47,760 | 33,880 |
| R*BS15E4S** | 4NES-20 | 194,560 | 158,550 | 142,110 | 126,820 | 76,340 | 66,230 | 56,990 | 41,040 |

95°F Ambient

| | | | | | | | | | |
|-------------|---------|---------|---------|---------|---------|--------|--------|--------|--------|
| R*BS03E4S** | 2DES-3 | 48,040 | 38,550 | 34,320 | 30,410 | 17,830 | 15,380 | 13,160 | 9,380 |
| R*BS04E4S** | 2CES-4 | 57,860 | 46,650 | 41,660 | 37,050 | 22,080 | 19,140 | 16,470 | 11,910 |
| R*BS05E4S** | 4FES-5 | 62,900 | 50,740 | 45,330 | 40,300 | 23,970 | 20,760 | 17,840 | 12,860 |
| R*BS06E4S** | 4EES-6 | 81,560 | 65,530 | 58,380 | 51,770 | 30,510 | 26,350 | 22,600 | 16,210 |
| R*BS07E4S** | 4DES-7 | 94,510 | 75,980 | 67,750 | 60,140 | 35,510 | 30,660 | 26,300 | 18,830 |
| R*BS08E4S** | 4CES-9 | 113,190 | 91,610 | 81,960 | 73,030 | 43,850 | 38,070 | 32,840 | 23,850 |
| R*BS10E4S** | 4TES-12 | 138,450 | 112,500 | 100,850 | 89,970 | 54,050 | 46,820 | 40,240 | 28,880 |
| R*BS12E4S** | 4PES-15 | 163,020 | 131,350 | 117,210 | 104,080 | 61,110 | 52,570 | 44,830 | 31,520 |
| R*BS15E4S** | 4NES-20 | 187,110 | 151,890 | 135,960 | 121,130 | 72,290 | 62,550 | 53,690 | 38,380 |

100°F Ambient

| | | | | | | | | | |
|-------------|---------|---|---------|---------|---------|--------|--------|--------|--------|
| R*BS03E4S** | 2DES-3 | - | 36,910 | 32,810 | 29,020 | 16,870 | 14,500 | 12,370 | 8,740 |
| R*BS04E4S** | 2CES-4 | - | 44,710 | 39,880 | 35,410 | 20,940 | 18,090 | 15,530 | 11,160 |
| R*BS05E4S** | 4FES-5 | - | 48,600 | 43,340 | 38,480 | 22,690 | 19,600 | 16,790 | 12,020 |
| R*BS06E4S** | 4EES-6 | - | 62,740 | 55,810 | 49,410 | 28,870 | 24,870 | 21,260 | 15,140 |
| R*BS07E4S** | 4DES-7 | - | 72,730 | 64,750 | 57,380 | 33,580 | 28,920 | 24,720 | 17,570 |
| R*BS08E4S** | 4CES-9 | - | 87,790 | 78,440 | 69,780 | 41,560 | 36,010 | 30,970 | 22,360 |
| R*BS10E4S** | 4TES-12 | - | 107,550 | 96,280 | 85,750 | 51,100 | 44,150 | 37,830 | 26,970 |
| R*BS12E4S** | 4PES-15 | - | 125,430 | 111,740 | 99,050 | 57,550 | 49,370 | 41,930 | 29,190 |
| R*BS15E4S** | 4NES-20 | - | 145,220 | 129,810 | 115,450 | 68,290 | 58,920 | 50,400 | 35,740 |

110°F Ambient

| | | | | | | | | | |
|-------------|---------|---|---------|---------|---------|--------|--------|--------|---|
| R*BS03E4S** | 2DES-3 | - | 33,630 | 29,790 | 26,240 | 14,930 | 12,740 | 10,770 | - |
| R*BS04E4S** | 2CES-4 | - | 40,830 | 36,320 | 32,150 | 18,660 | 16,040 | 13,680 | - |
| R*BS05E4S** | 4FES-5 | - | 44,330 | 39,410 | 34,860 | 20,170 | 17,310 | 14,740 | - |
| R*BS06E4S** | 4EES-6 | - | 57,230 | 50,730 | 44,750 | 25,660 | 21,950 | 18,630 | - |
| R*BS07E4S** | 4DES-7 | - | 66,250 | 58,800 | 51,910 | 29,760 | 25,470 | 21,620 | - |
| R*BS08E4S** | 4CES-9 | - | 80,190 | 71,440 | 63,340 | 37,080 | 31,930 | 27,320 | - |
| R*BS10E4S** | 4TES-12 | - | 97,620 | 87,120 | 77,350 | 45,250 | 38,850 | 33,060 | - |
| R*BS12E4S** | 4PES-15 | - | 113,680 | 100,870 | 89,010 | 50,570 | 43,010 | 36,250 | - |
| R*BS15E4S** | 4NES-20 | - | 131,840 | 117,510 | 104,120 | 60,380 | 51,740 | 43,950 | - |

* Each asterisk represents a variable character based upon model, voltage, and vintage ordered. See page 4 for nomenclature.

‡ Multiply capacity by .83 when used with 50 Hz power.

Maximum 35°F Compressor Superheat

AIR COOLED CONDENSING UNITS

Capacity Data (BTUH) - Extended Range Medium Temperature R407C Bitzer - 60 Hz[‡]

SUCTION TEMPERATURE

| MODEL | COMP. MODEL | 40°F | 30°F | 25°F | 20°F | 0°F | -5°F | -10°F | -20°F |
|-------|-------------|------|------|------|------|-----|------|-------|-------|
|-------|-------------|------|------|------|------|-----|------|-------|-------|

90°F Ambient

| | | | | | | | | | |
|-------------|---------|---------|---------|---------|---------|--------|--------|--------|---|
| R*BS03E4S** | 2DES-3 | 48,600 | 39,040 | 34,810 | 30,930 | 18,370 | 15,880 | 13,610 | - |
| R*BS04E4S** | 2CES-4 | 58,120 | 46,940 | 41,960 | 37,370 | 22,450 | 19,480 | 16,760 | - |
| R*BS05E4S** | 4FES-5 | 61,670 | 49,590 | 44,180 | 39,200 | 23,020 | 19,790 | 16,840 | - |
| R*BS06E4S** | 4EES-6 | 80,320 | 64,250 | 57,130 | 50,580 | 29,500 | 25,330 | 21,520 | - |
| R*BS07E4S** | 4DES-7 | 94,000 | 75,550 | 67,360 | 59,800 | 35,340 | 30,440 | 25,980 | - |
| R*BS08E4S** | 4CES-9 | 112,420 | 90,990 | 81,390 | 72,520 | 43,560 | 37,720 | 32,370 | - |
| R*BS10E4S** | 4TES-12 | 137,300 | 111,910 | 100,400 | 89,650 | 53,970 | 46,670 | 39,930 | - |
| R*BS12E4S** | 4PES-15 | 161,800 | 130,820 | 116,880 | 103,950 | 61,250 | 52,620 | 44,660 | - |
| R*BS15E4S** | 4NES-20 | 185,530 | 151,060 | 135,360 | 120,770 | 72,320 | 62,450 | 53,320 | - |

95°F Ambient

| | | | | | | | | | |
|-------------|---------|---------|---------|---------|---------|--------|--------|--------|---|
| R*BS03E4S** | 2DES-3 | 46,730 | 37,520 | 33,440 | 29,680 | 17,530 | 15,120 | 12,910 | - |
| R*BS04E4S** | 2CES-4 | 56,010 | 45,140 | 40,330 | 35,900 | 21,460 | 18,570 | 15,910 | - |
| R*BS05E4S** | 4FES-5 | 59,280 | 47,510 | 42,320 | 37,500 | 21,850 | 18,730 | 15,850 | - |
| R*BS06E4S** | 4EES-6 | 77,060 | 61,580 | 54,710 | 48,390 | 28,020 | 23,970 | 20,270 | - |
| R*BS07E4S** | 4DES-7 | 90,380 | 72,480 | 64,570 | 57,280 | 33,610 | 28,870 | 24,540 | - |
| R*BS08E4S** | 4CES-9 | 108,240 | 87,390 | 78,120 | 69,570 | 41,520 | 35,870 | 30,670 | - |
| R*BS10E4S** | 4TES-12 | 132,190 | 107,330 | 96,200 | 85,800 | 51,280 | 44,210 | 37,690 | - |
| R*BS12E4S** | 4PES-15 | 155,640 | 125,350 | 111,850 | 99,310 | 58,000 | 49,630 | 41,940 | - |
| R*BS15E4S** | 4NES-20 | 178,600 | 144,920 | 129,710 | 115,560 | 68,620 | 59,070 | 50,270 | - |

100°F Ambient

| | | | | | | | | | |
|-------------|---------|---|---------|---------|---------|--------|--------|--------|---|
| R*BS03E4S** | 2DES-3 | - | 36,000 | 32,070 | 28,440 | 16,700 | 14,350 | 12,200 | - |
| R*BS04E4S** | 2CES-4 | - | 43,340 | 38,710 | 34,430 | 20,470 | 17,640 | 15,060 | - |
| R*BS05E4S** | 4FES-5 | - | 45,460 | 40,430 | 35,800 | 20,680 | 17,660 | 15,660 | - |
| R*BS06E4S** | 4EES-6 | - | 58,900 | 52,290 | 46,200 | 26,530 | 22,610 | 19,000 | - |
| R*BS07E4S** | 4DES-7 | - | 69,400 | 61,780 | 54,750 | 31,890 | 27,300 | 23,070 | - |
| R*BS08E4S** | 4CES-9 | - | 83,790 | 74,860 | 66,600 | 39,480 | 34,000 | 28,940 | - |
| R*BS10E4S** | 4TES-12 | - | 102,720 | 91,960 | 81,900 | 48,560 | 41,740 | 35,450 | - |
| R*BS12E4S** | 4PES-15 | - | 119,830 | 106,770 | 94,650 | 54,710 | 46,670 | 39,230 | - |
| R*BS15E4S** | 4NES-20 | - | 138,710 | 124,010 | 110,310 | 64,930 | 55,720 | 47,210 | - |

110°F Ambient

| | | | | | | | | | |
|-------------|---------|---|---------|---------|--------|--------|--------|--------|---|
| R*BS03E4S** | 2DES-3 | - | 32,940 | 29,300 | 25,930 | 14,990 | 12,780 | 10,730 | - |
| R*BS04E4S** | 2CES-4 | - | 39,710 | 35,440 | 31,480 | 18,440 | 15,790 | 13,340 | - |
| R*BS05E4S** | 4FES-5 | - | 41,330 | 36,690 | 32,400 | 18,350 | 15,500 | 12,870 | - |
| R*BS06E4S** | 4EES-6 | - | 53,590 | 47,470 | 41,830 | 23,560 | 19,870 | 16,470 | - |
| R*BS07E4S** | 4DES-7 | - | 63,240 | 56,210 | 49,710 | 28,420 | 24,110 | 20,130 | - |
| R*BS08E4S** | 4CES-9 | - | 76,570 | 68,320 | 60,670 | 35,410 | 30,230 | 25,470 | - |
| R*BS10E4S** | 4TES-12 | - | 93,370 | 83,370 | 74,050 | 43,130 | 36,810 | 30,990 | - |
| R*BS12E4S** | 4PES-15 | - | 108,740 | 96,550 | 85,250 | 48,200 | 40,710 | 33,890 | - |
| R*BS15E4S** | 4NES-20 | - | 126,110 | 112,480 | 99,730 | 57,580 | 49,020 | 41,160 | - |

* Each asterisk represents a variable character based upon model, voltage, and vintage ordered. See page 4 for nomenclature.

‡ Multiply capacity by .83 when used with 50 Hz power.

Maximum 35°F Compressor Superheat

3 TO 22 HP

Capacity Data (BTUH) - Extended Range Medium Temperature R407F Bitzer - 60 Hz[‡]

SUCTION TEMPERATURE

| MODEL | COMP. MODEL | 40°F | 30°F | 25°F | 20°F | 0°F | -5°F | -10°F | -20°F |
|-------|-------------|------|------|------|------|-----|------|-------|-------|
|-------|-------------|------|------|------|------|-----|------|-------|-------|

90°F Ambient

| | | | | | | | | | |
|-------------|---------|---------|---------|---------|---------|--------|--------|--------|--------|
| R*BS03E4S** | 2DES-3 | 53,020 | 42,730 | 38,140 | 33,890 | 20,130 | 17,430 | 14,980 | 10,800 |
| R*BS04E4S** | 2CES-4 | 63,730 | 51,660 | 46,240 | 41,220 | 24,820 | 21,580 | 18,650 | 13,590 |
| R*BS05E4S** | 4FES-5 | 69,410 | 56,290 | 50,370 | 44,880 | 26,980 | 23,430 | 20,220 | 14,700 |
| R*BS06E4S** | 4EES-6 | 90,190 | 72,710 | 64,900 | 57,690 | 34,350 | 29,760 | 25,620 | 18,590 |
| R*BS07E4S** | 4DES-7 | 104,400 | 84,340 | 75,360 | 67,040 | 40,030 | 34,670 | 29,840 | 21,580 |
| R*BS08E4S** | 4CES-9 | 124,830 | 101,530 | 91,010 | 81,240 | 49,280 | 42,880 | 37,090 | 27,160 |
| R*BS10E4S** | 4TES-12 | 150,310 | 122,960 | 110,490 | 98,810 | 59,980 | 52,090 | 44,860 | 32,260 |
| R*BS12E4S** | 4PES-15 | 177,900 | 144,360 | 129,190 | 115,080 | 68,440 | 59,090 | 50,540 | 35,680 |
| R*BS15E4S** | 4NES-20 | 204,830 | 167,400 | 150,270 | 134,290 | 81,180 | 70,450 | 60,590 | 43,450 |

95°F Ambient

| | | | | | | | | | |
|-------------|---------|---------|---------|---------|---------|--------|--------|--------|--------|
| R*BS03E4S** | 2DES-3 | 51,110 | 41,100 | 36,640 | 32,500 | 19,150 | 16,530 | 14,170 | 10,130 |
| R*BS04E4S** | 2CES-4 | 61,590 | 49,740 | 44,460 | 39,570 | 23,660 | 20,530 | 17,680 | 12,810 |
| R*BS05E4S** | 4FES-5 | 67,040 | 54,140 | 48,390 | 43,050 | 25,660 | 22,240 | 19,130 | 13,820 |
| R*BS06E4S** | 4EES-6 | 86,930 | 69,930 | 62,330 | 55,310 | 32,680 | 28,240 | 24,240 | 17,430 |
| R*BS07E4S** | 4DES-7 | 100,740 | 81,090 | 72,350 | 64,260 | 38,050 | 32,870 | 28,220 | 20,260 |
| R*BS08E4S** | 4CES-9 | 120,600 | 97,720 | 87,470 | 77,990 | 46,930 | 40,770 | 35,190 | 25,600 |
| R*BS10E4S** | 4TES-12 | 144,420 | 117,730 | 105,710 | 94,450 | 56,960 | 49,310 | 42,320 | 30,110 |
| R*BS12E4S** | 4PES-15 | 170,800 | 138,100 | 123,450 | 109,810 | 64,780 | 55,730 | 47,470 | 33,110 |
| R*BS15E4S** | 4NES-20 | 196,810 | 160,360 | 143,800 | 128,350 | 77,000 | 66,630 | 57,140 | 40,560 |

100°F Ambient

| | | | | | | | | | |
|-------------|---------|---|---------|---------|---------|--------|--------|--------|--------|
| R*BS03E4S** | 2DES-3 | - | 39,480 | 35,130 | 31,110 | 18,170 | 15,640 | 13,360 | 9,460 |
| R*BS04E4S** | 2CES-4 | - | 47,810 | 42,690 | 37,940 | 22,500 | 19,450 | 16,710 | 12,030 |
| R*BS05E4S** | 4FES-5 | - | 52,000 | 46,400 | 41,220 | 24,360 | 21,060 | 18,050 | 12,950 |
| R*BS06E4S** | 4EES-6 | - | 67,140 | 59,760 | 52,940 | 31,000 | 26,730 | 22,860 | 16,320 |
| R*BS07E4S** | 4DES-7 | - | 77,840 | 69,340 | 61,490 | 36,080 | 31,090 | 26,600 | 18,950 |
| R*BS08E4S** | 4CES-9 | - | 93,900 | 83,950 | 74,720 | 44,590 | 38,660 | 33,270 | 24,060 |
| R*BS10E4S** | 4TES-12 | - | 112,530 | 100,940 | 90,070 | 53,910 | 46,550 | 39,790 | 28,020 |
| R*BS12E4S** | 4PES-15 | - | 131,860 | 117,730 | 104,580 | 61,100 | 52,390 | 44,410 | 30,560 |
| R*BS15E4S** | 4NES-20 | - | 153,320 | 137,360 | 122,440 | 72,860 | 62,850 | 53,670 | 37,660 |

110°F Ambient

| | | | | | | | | | |
|-------------|---------|---|---------|---------|---------|--------|--------|--------|---|
| R*BS03E4S** | 2DES-3 | - | 36,210 | 32,120 | 28,330 | 16,190 | 13,820 | 11,690 | - |
| R*BS04E4S** | 2CES-4 | - | 43,950 | 39,130 | 34,670 | 20,170 | 17,340 | 14,790 | - |
| R*BS05E4S** | 4FES-5 | - | 47,720 | 42,450 | 37,570 | 21,780 | 18,700 | 15,930 | - |
| R*BS06E4S** | 4EES-6 | - | 61,620 | 54,660 | 48,240 | 27,720 | 23,720 | 20,150 | - |
| R*BS07E4S** | 4DES-7 | - | 71,350 | 63,370 | 55,980 | 32,160 | 27,540 | 23,390 | - |
| R*BS08E4S** | 4CES-9 | - | 86,300 | 76,930 | 68,240 | 40,010 | 34,460 | 29,500 | - |
| R*BS10E4S** | 4TES-12 | - | 102,140 | 91,420 | 81,390 | 47,860 | 41,020 | 34,750 | - |
| R*BS12E4S** | 4PES-15 | - | 119,530 | 106,390 | 94,150 | 53,850 | 45,730 | 38,390 | - |
| R*BS15E4S** | 4NES-20 | - | 139,270 | 124,520 | 110,660 | 64,640 | 55,320 | 46,820 | - |

* Each asterisk represents a variable character based upon model, voltage, and vintage ordered. See page 4 for nomenclature.

‡ Multiply capacity by .83 when used with 50 Hz power.

Maximum 35°F Compressor Superheat

AIR COOLED CONDENSING UNITS

Capacity Data (BTUH) - Extended Range Medium Temperature R448A/449A Bitzer - 60 Hz[‡]

SUCTION TEMPERATURE

| MODEL | COMP. MODEL | 40°F | 30°F | 25°F | 20°F | 0°F | -5°F | -10°F | -20°F |
|-------|-------------|------|------|------|------|-----|------|-------|-------|
|-------|-------------|------|------|------|------|-----|------|-------|-------|

90°F Ambient

| | | | | | | | | | |
|-------------|---------|---------|---------|---------|---------|--------|--------|--------|--------|
| R*BS03E4S** | 2DES-3 | 50,900 | 41,140 | 36,780 | 32,750 | 19,670 | 17,090 | 14,750 | 10,030 |
| R*BS04E4S** | 2CES-4 | 61,160 | 49,710 | 44,570 | 39,800 | 24,210 | 21,130 | 18,320 | 12,670 |
| R*BS05E4S** | 4FES-5 | 66,620 | 54,180 | 48,570 | 43,360 | 26,330 | 22,950 | 19,880 | 13,710 |
| R*BS06E4S** | 4EES-6 | 86,570 | 70,000 | 62,590 | 55,740 | 33,540 | 29,170 | 25,200 | 17,330 |
| R*BS07E4S** | 4DES-7 | 100,220 | 81,200 | 72,690 | 64,790 | 39,100 | 33,990 | 29,380 | 20,110 |
| R*BS08E4S** | 4CES-9 | 119,800 | 97,710 | 87,730 | 78,460 | 48,070 | 41,970 | 36,440 | 25,360 |
| R*BS10E4S** | 4TES-12 | 147,680 | 120,370 | 107,990 | 96,450 | 58,520 | 50,940 | 44,050 | 30,860 |
| R*BS12E4S** | 4PES-15 | 174,050 | 140,600 | 125,560 | 111,630 | 66,220 | 57,290 | 49,180 | 33,880 |
| R*BS15E4S** | 4NES-20 | 201,180 | 164,020 | 147,100 | 131,390 | 79,820 | 69,570 | 60,240 | 41,040 |

95°F Ambient

| | | | | | | | | | |
|-------------|---------|---------|---------|---------|---------|--------|--------|--------|--------|
| R*BS03E4S** | 2DES-3 | 48,960 | 39,490 | 35,260 | 31,340 | 18,680 | 16,190 | 13,940 | 10,070 |
| R*BS04E4S** | 2CES-4 | 58,970 | 47,760 | 42,760 | 38,130 | 23,040 | 20,060 | 17,350 | 12,690 |
| R*BS05E4S** | 4FES-5 | 64,200 | 52,000 | 46,560 | 41,500 | 25,010 | 21,760 | 18,790 | 13,710 |
| R*BS06E4S** | 4EES-6 | 83,260 | 67,170 | 59,990 | 53,330 | 31,860 | 27,640 | 23,820 | 17,300 |
| R*BS07E4S** | 4DES-7 | 96,500 | 77,910 | 69,640 | 61,980 | 37,110 | 32,190 | 27,750 | 20,130 |
| R*BS08E4S** | 4CES-9 | 115,490 | 93,840 | 84,140 | 75,160 | 45,700 | 39,840 | 34,520 | 25,350 |
| R*BS10E4S** | 4TES-12 | 141,880 | 115,180 | 103,220 | 92,080 | 55,490 | 48,180 | 41,560 | 30,200 |
| R*BS12E4S** | 4PES-15 | 167,040 | 134,360 | 119,820 | 106,350 | 62,560 | 53,950 | 46,180 | 32,920 |
| R*BS15E4S** | 4NES-20 | 193,380 | 157,100 | 140,730 | 125,520 | 75,710 | 65,850 | 56,920 | 41,590 |

100°F Ambient

| | | | | | | | | | |
|-------------|---------|---|---------|---------|---------|--------|--------|--------|--------|
| R*BS03E4S** | 2DES-3 | - | 37,840 | 33,740 | 29,940 | 17,700 | 15,300 | 13,130 | 9,410 |
| R*BS04E4S** | 2CES-4 | - | 45,800 | 40,960 | 36,470 | 21,880 | 18,990 | 16,380 | 11,910 |
| R*BS05E4S** | 4FES-5 | - | 49,830 | 44,540 | 39,650 | 23,700 | 20,570 | 17,710 | 12,840 |
| R*BS06E4S** | 4EES-6 | - | 64,350 | 57,380 | 50,940 | 30,180 | 26,120 | 22,440 | 16,200 |
| R*BS07E4S** | 4DES-7 | - | 74,620 | 66,600 | 59,180 | 35,130 | 30,400 | 26,130 | 18,820 |
| R*BS08E4S** | 4CES-9 | - | 89,960 | 80,570 | 71,850 | 43,350 | 37,720 | 32,590 | 23,800 |
| R*BS10E4S** | 4TES-12 | - | 110,010 | 98,470 | 87,700 | 52,460 | 45,450 | 39,090 | 28,250 |
| R*BS12E4S** | 4PES-15 | - | 128,160 | 114,100 | 101,100 | 58,900 | 50,670 | 43,210 | 30,560 |
| R*BS15E4S** | 4NES-20 | - | 150,190 | 134,390 | 119,680 | 71,660 | 62,190 | 53,610 | 38,950 |

110°F Ambient

| | | | | | | | | | |
|-------------|---------|---|---------|---------|---------|--------|--------|--------|--------|
| R*BS03E4S** | 2DES-3 | - | 34,530 | 30,690 | 27,130 | 15,720 | 13,490 | 11,470 | 8,060 |
| R*BS04E4S** | 2CES-4 | - | 41,880 | 37,360 | 33,170 | 19,530 | 16,870 | 14,460 | 10,350 |
| R*BS05E4S** | 4FES-5 | - | 45,490 | 40,550 | 35,960 | 21,110 | 18,210 | 15,590 | 11,120 |
| R*BS06E4S** | 4EES-6 | - | 58,750 | 52,210 | 46,190 | 26,880 | 23,110 | 19,730 | 14,020 |
| R*BS07E4S** | 4DES-7 | - | 68,040 | 60,550 | 53,610 | 31,210 | 26,850 | 22,920 | 16,240 |
| R*BS08E4S** | 4CES-9 | - | 82,230 | 73,440 | 65,280 | 38,740 | 33,510 | 28,810 | 20,860 |
| R*BS10E4S** | 4TES-12 | - | 99,710 | 88,980 | 79,020 | 46,480 | 40,040 | 34,240 | 24,340 |
| R*BS12E4S** | 4PES-15 | - | 115,910 | 102,800 | 90,700 | 51,770 | 44,190 | 37,450 | 25,950 |
| R*BS15E4S** | 4NES-20 | - | 136,420 | 121,770 | 108,100 | 63,690 | 54,980 | 47,150 | 33,770 |

* Each asterisk represents a variable character based upon model, voltage, and vintage ordered. See page 4 for nomenclature.

‡ Multiply capacity by .83 when used with 50 Hz power.

Maximum 35°F Compressor Superheat

3TO 22 HP

Capacity Data (BTUH) - Low Temperature R404A Discus - 60 Hz[‡]

SUCTION TEMPERATURE

| MODEL | COMP. MODEL | 0°F | -5°F | -15°F | -20°F | -25°F | -30°F | -35°F | -40°F |
|-------|-------------|-----|------|-------|-------|-------|-------|-------|-------|
|-------|-------------|-----|------|-------|-------|-------|-------|-------|-------|

90°F Ambient

| | | | | | | | | | |
|-------------|-----------|---------|---------|--------|--------|--------|--------|--------|--------|
| R*DS03L4S** | 2DF3F16KE | 31,700 | 28,270 | 21,920 | 19,000 | 16,300 | 13,810 | 11,500 | 9,370 |
| R*DS04L4S** | 2DL3F20KE | 37,990 | 33,810 | 26,240 | 22,850 | 19,700 | 16,790 | 14,130 | 11,700 |
| R*DS05L4S** | 2DA3F23KE | 42,260 | 37,800 | 29,710 | 26,070 | 22,670 | 19,490 | 16,530 | 13,760 |
| R*DS06L4S** | 3DA3F28KE | 53,930 | 47,920 | 37,200 | 32,460 | 28,110 | 24,140 | 20,530 | 17,270 |
| R*DS08L4S** | 3DB3F33KE | 62,620 | 55,750 | 43,500 | 38,090 | 33,090 | 28,470 | 24,220 | 20,280 |
| R*DS09L4S** | 3DF3F40KE | 75,180 | 67,070 | 52,460 | 45,940 | 39,930 | 34,410 | 29,360 | 24,750 |
| R*DS10L4S** | 3DS3F46KE | 82,210 | 73,870 | 58,610 | 51,710 | 45,270 | 39,300 | 33,750 | 28,620 |
| R*DS12L4S** | 4DBNF54KE | 91,500 | 81,890 | 64,860 | 57,250 | 50,050 | 43,160 | 36,380 | 29,630 |
| R*DS15L4S** | 4DHNF63KE | 106,030 | 95,470 | 76,500 | 67,910 | 59,790 | 52,050 | 44,570 | 37,240 |
| R*DS22L4S** | 4DJNF76KE | 129,720 | 117,150 | 94,130 | 83,500 | 73,310 | 63,490 | 53,910 | 44,470 |

95°F Ambient

| | | | | | | | | | |
|-------------|-----------|---------|---------|--------|--------|--------|--------|--------|--------|
| R*DS03L4S** | 2DF3F16KE | 29,980 | 26,700 | 20,600 | 17,790 | 15,190 | 12,770 | 10,520 | 8,410 |
| R*DS04L4S** | 2DL3F20KE | 36,010 | 32,000 | 24,750 | 21,500 | 18,480 | 15,680 | 13,110 | 10,760 |
| R*DS05L4S** | 2DA3F23KE | 40,090 | 35,830 | 28,080 | 24,590 | 21,320 | 18,260 | 15,400 | 12,720 |
| R*DS06L4S** | 3DA3F28KE | 51,410 | 45,640 | 35,350 | 30,780 | 26,580 | 22,730 | 19,210 | 16,030 |
| R*DS08L4S** | 3DB3F33KE | 59,740 | 53,170 | 41,430 | 36,230 | 31,400 | 26,940 | 22,810 | 18,960 |
| R*DS09L4S** | 3DF3F40KE | 71,780 | 63,990 | 49,960 | 43,690 | 37,890 | 32,550 | 27,660 | 23,190 |
| R*DS10L4S** | 3DS3F46KE | 78,500 | 70,520 | 55,900 | 49,270 | 43,060 | 37,310 | 31,950 | 26,980 |
| R*DS12L4S** | 4DBNF54KE | 87,090 | 77,860 | 61,500 | 54,110 | 47,130 | 40,340 | 33,650 | 26,970 |
| R*DS15L4S** | 4DHNF63KE | 100,900 | 90,730 | 72,400 | 64,100 | 56,240 | 48,730 | 41,470 | 34,360 |
| R*DS22L4S** | 4DJNF76KE | 123,410 | 111,290 | 89,110 | 78,840 | 68,990 | 59,460 | 50,160 | 40,990 |

100°F Ambient

| | | | | | | | | | |
|-------------|-----------|---------|---------|--------|--------|--------|--------|--------|--------|
| R*DS03L4S** | 2DF3F16KE | 28,260 | 25,150 | 19,330 | 16,640 | 14,120 | 11,760 | 9,550 | 7,450 |
| R*DS04L4S** | 2DL3F20KE | 34,020 | 30,200 | 23,260 | 20,150 | 17,260 | 14,570 | 12,090 | 9,830 |
| R*DS05L4S** | 2DA3F23KE | 37,920 | 33,840 | 26,450 | 23,110 | 19,980 | 17,040 | 14,270 | 11,670 |
| R*DS06L4S** | 3DA3F28KE | 48,890 | 43,360 | 33,480 | 29,080 | 25,020 | 21,290 | 17,870 | 14,760 |
| R*DS08L4S** | 3DB3F33KE | 56,870 | 50,590 | 39,350 | 34,350 | 29,700 | 25,380 | 21,360 | 17,610 |
| R*DS09L4S** | 3DF3F40KE | 68,360 | 60,920 | 47,470 | 41,450 | 35,850 | 30,700 | 25,960 | 21,630 |
| R*DS10L4S** | 3DS3F46KE | 74,720 | 67,090 | 53,100 | 46,730 | 40,790 | 35,230 | 30,060 | 25,240 |
| R*DS12L4S** | 4DBNF54KE | 82,650 | 73,830 | 58,080 | 50,930 | 44,120 | 37,470 | 30,890 | 24,280 |
| R*DS15L4S** | 4DHNF63KE | 95,870 | 86,100 | 68,450 | 60,420 | 52,820 | 45,550 | 38,520 | 31,610 |
| R*DS22L4S** | 4DJNF76KE | 117,160 | 105,540 | 84,160 | 74,230 | 64,680 | 55,430 | 46,390 | 37,450 |

110°F Ambient

| | | | | | | | | | |
|-------------|-----------|---------|--------|--------|--------|--------|--------|--------|--------|
| R*DS03L4S** | 2DF3F16KE | 25,170 | 22,170 | 16,740 | 14,260 | 11,900 | 9,670 | 7,520 | 5,440 |
| R*DS04L4S** | 2DL3F20KE | 30,040 | 26,570 | 20,290 | 17,460 | 14,810 | 12,350 | 10,080 | 7,980 |
| R*DS05L4S** | 2DA3F23KE | 33,600 | 29,910 | 23,200 | 20,150 | 17,290 | 14,580 | 12,020 | 9,610 |
| R*DS06L4S** | 3DA3F28KE | 43,790 | 38,750 | 29,650 | 25,580 | 21,810 | 18,310 | 15,080 | 12,120 |
| R*DS08L4S** | 3DB3F33KE | 51,150 | 45,440 | 35,190 | 30,570 | 26,240 | 22,210 | 18,430 | 14,860 |
| R*DS09L4S** | 3DF3F40KE | 61,500 | 54,730 | 42,440 | 36,920 | 31,770 | 26,990 | 22,590 | 18,530 |
| R*DS10L4S** | 3DS3F46KE | 66,960 | 60,020 | 47,250 | 41,390 | 35,940 | 30,790 | 25,970 | 21,480 |
| R*DS12L4S** | 4DBNF54KE | 73,650 | 65,620 | 51,100 | 44,410 | 37,910 | 31,560 | 25,200 | 18,770 |
| R*DS15L4S** | 4DHNF63KE | 86,090 | 77,150 | 60,920 | 53,470 | 46,400 | 39,620 | 33,050 | 26,580 |
| R*DS22L4S** | 4DJNF76KE | 104,870 | 94,150 | 74,340 | 65,050 | 56,130 | 47,390 | 38,820 | 30,330 |

* Each asterisk represents a variable character based upon model, voltage, and vintage ordered. See page 4 for nomenclature.

These condensing units include Demand Cooling™.

‡ Multiply capacity by .83 when used with 50 Hz power.

AIR COOLED CONDENSING UNITS

Capacity Data (BTUH) - Low Temperature R407A Discus - 60 Hz[‡]

SUCTION TEMPERATURE

| MODEL | COMP. MODEL | 0°F | -5°F | -15°F | -20°F | -25°F | -30°F | -35°F | -40°F |
|-------|-------------|-----|------|-------|-------|-------|-------|-------|-------|
|-------|-------------|-----|------|-------|-------|-------|-------|-------|-------|

90°F Ambient

| | | | | | | | | | |
|-------------|-----------|---------|---------|--------|--------|--------|--------|--------|--------|
| R*DS03L4S** | 2DF3F16KE | 24,920 | 21,270 | 15,190 | 12,640 | 10,390 | 8,330 | 6,440 | 4,600 |
| R*DS04L4S** | 2DL3F20KE | 31,830 | 27,620 | 20,160 | 16,860 | 13,810 | 11,120 | 8,680 | 6,510 |
| R*DS05L4S** | 2DA3F23KE | 36,660 | 31,800 | 23,290 | 19,590 | 16,200 | 13,110 | 10,300 | 7,700 |
| R*DS06L4S** | 3DA3F28KE | 46,990 | 40,590 | 29,780 | 25,100 | 20,940 | 17,100 | 13,490 | 10,090 |
| R*DS08L4S** | 3DB3F33KE | 55,700 | 48,510 | 36,320 | 31,060 | 26,370 | 21,920 | 17,620 | 13,340 |
| R*DS09L4S** | 3DF3F40KE | 67,020 | 58,500 | 43,520 | 36,880 | 30,860 | 25,230 | 20,020 | 15,070 |
| R*DS10L4S** | 3DS3F46KE | 71,570 | 62,390 | 46,530 | 39,610 | 33,160 | 27,220 | 21,600 | 16,060 |
| R*DS12L4S** | 4DBNF54KE | 82,330 | 72,940 | 55,700 | 47,790 | 40,450 | 33,650 | 27,480 | 21,320 |
| R*DS15L4S** | 4DHNF63KE | 94,550 | 84,630 | 66,340 | 57,930 | 50,040 | 42,680 | 35,890 | 29,620 |
| R*DS22L4S** | 4DJNF76KE | 123,010 | 108,260 | 82,400 | 71,380 | 61,650 | 53,270 | 46,260 | 40,690 |

95°F Ambient

| | | | | | | | | | |
|-------------|-----------|---------|---------|--------|--------|--------|--------|--------|--------|
| R*DS03L4S** | 2DF3F16KE | 23,710 | 20,160 | 14,270 | 11,810 | 9,650 | 7,660 | 5,830 | 4,030 |
| R*DS04L4S** | 2DL3F20KE | 30,290 | 26,250 | 19,010 | 15,780 | 12,910 | 10,300 | 7,970 | 5,910 |
| R*DS05L4S** | 2DA3F23KE | 34,820 | 30,170 | 21,920 | 18,370 | 15,110 | 12,170 | 9,500 | 7,140 |
| R*DS06L4S** | 3DA3F28KE | 44,790 | 38,600 | 28,060 | 23,550 | 19,470 | 15,720 | 12,170 | 8,810 |
| R*DS08L4S** | 3DB3F33KE | 53,210 | 46,150 | 34,190 | 29,050 | 24,420 | 19,990 | 15,840 | 11,630 |
| R*DS09L4S** | 3DF3F40KE | 64,130 | 55,740 | 41,010 | 34,510 | 28,630 | 23,150 | 18,150 | 13,400 |
| R*DS10L4S** | 3DS3F46KE | 68,360 | 59,390 | 43,890 | 37,150 | 30,870 | 25,100 | 19,660 | 14,300 |
| R*DS12L4S** | 4DBNF54KE | 78,650 | 69,500 | 52,780 | 45,090 | 37,940 | 31,280 | 25,220 | 19,140 |
| R*DS15L4S** | 4DHNF63KE | 90,080 | 80,990 | 63,290 | 55,170 | 47,480 | 40,340 | 33,710 | 27,590 |
| R*DS22L4S** | 4DJNF76KE | 116,760 | 103,560 | 78,430 | 67,830 | 58,500 | 50,500 | 43,880 | 38,690 |

100°F Ambient

| | | | | | | | | | |
|-------------|-----------|---------|--------|--------|--------|--------|--------|--------|--------|
| R*DS03L4S** | 2DF3F16KE | 22,520 | 19,080 | 13,370 | 11,010 | 8,930 | 7,020 | 5,250 | 3,500 |
| R*DS04L4S** | 2DL3F20KE | 28,740 | 24,800 | 17,810 | 14,780 | 12,000 | 9,510 | 7,290 | 5,300 |
| R*DS05L4S** | 2DA3F23KE | 32,650 | 28,490 | 20,540 | 17,100 | 14,030 | 11,250 | 8,760 | 6,600 |
| R*DS06L4S** | 3DA3F28KE | 42,570 | 36,570 | 26,320 | 21,930 | 17,950 | 14,270 | 10,780 | 7,460 |
| R*DS08L4S** | 3DB3F33KE | 50,770 | 43,840 | 32,090 | 27,120 | 22,510 | 18,260 | 14,100 | 9,940 |
| R*DS09L4S** | 3DF3F40KE | 61,250 | 52,980 | 38,510 | 32,150 | 26,430 | 21,170 | 16,280 | 11,720 |
| R*DS10L4S** | 3DS3F46KE | 65,050 | 56,330 | 41,240 | 34,620 | 28,560 | 23,050 | 17,710 | 12,530 |
| R*DS12L4S** | 4DBNF54KE | 74,840 | 66,000 | 49,770 | 42,290 | 35,280 | 28,940 | 22,960 | 16,970 |
| R*DS15L4S** | 4DHNF63KE | 86,120 | 77,310 | 60,200 | 52,320 | 44,880 | 37,920 | 31,460 | 25,460 |
| R*DS22L4S** | 4DJNF76KE | 111,460 | 98,690 | 74,390 | 64,170 | 55,240 | 47,630 | 41,390 | 36,570 |

110°F Ambient

| | | | | | | | | | |
|-------------|-----------|---------|--------|--------|--------|--------|--------|--------|--------|
| R*DS03L4S** | 2DF3F16KE | 20,330 | 16,990 | 11,650 | 9,480 | 7,560 | 5,800 | 4,150 | 2,500 |
| R*DS04L4S** | 2DL3F20KE | 25,590 | 21,940 | 15,510 | 12,740 | 10,220 | 7,980 | 6,020 | 4,100 |
| R*DS05L4S** | 2DA3F23KE | 29,170 | 24,980 | 17,750 | 14,690 | 11,920 | 9,460 | 7,310 | 5,450 |
| R*DS06L4S** | 3DA3F28KE | 38,110 | 32,510 | 22,850 | 18,670 | 14,890 | 11,360 | 7,970 | 4,710 |
| R*DS08L4S** | 3DB3F33KE | 46,110 | 39,430 | 28,090 | 23,220 | 18,810 | 14,650 | 10,580 | 6,490 |
| R*DS09L4S** | 3DF3F40KE | 55,580 | 47,570 | 33,630 | 27,560 | 22,110 | 17,200 | 12,660 | 8,480 |
| R*DS10L4S** | 3DS3F46KE | 58,390 | 50,130 | 35,840 | 29,650 | 24,070 | 18,920 | 13,990 | 9,220 |
| R*DS12L4S** | 4DBNF54KE | 67,060 | 58,770 | 43,470 | 36,410 | 29,950 | 23,740 | 18,060 | 12,290 |
| R*DS15L4S** | 4DHNF63KE | 78,050 | 69,870 | 53,900 | 46,520 | 39,530 | 32,920 | 26,760 | 21,010 |
| R*DS22L4S** | 4DJNF76KE | 100,770 | 88,800 | 66,100 | 56,600 | 48,420 | 41,580 | 36,040 | 31,900 |

* Each asterisk represents a variable character based upon model, voltage, and vintage ordered. See page 4 for nomenclature.

These condensing units include Demand Cooling™.

‡ Multiply capacity by .83 when used with 50 Hz power.

3 TO 22 HP

Capacity Data (BTUH) - Low Temperature R407C Discus - 60 Hz[‡]

SUCTION TEMPERATURE

| MODEL | COMP. MODEL | 0°F | -5°F | -15°F | -20°F | -25°F | -30°F | -35°F | -40°F |
|-------|-------------|-----|------|-------|-------|-------|-------|-------|-------|
|-------|-------------|-----|------|-------|-------|-------|-------|-------|-------|

90°F Ambient

| | | | | | | | | | |
|-------------|-----------|---------|--------|--------|--------|--------|--------|--------|--------|
| R*DS03L4S** | 2DF3F16KE | 22,790 | 19,520 | 14,040 | 11,710 | 9,650 | 7,750 | 5,990 | 4,280 |
| R*DS04L4S** | 2DL3F20KE | 29,110 | 25,360 | 18,640 | 15,630 | 12,820 | 10,330 | 8,070 | 6,050 |
| R*DS05L4S** | 2DA3F23KE | 33,520 | 29,200 | 21,540 | 18,160 | 15,040 | 12,180 | 9,570 | 7,150 |
| R*DS06L4S** | 3DA3F28KE | 43,600 | 37,730 | 27,450 | 22,900 | 18,860 | 15,190 | 11,860 | 8,900 |
| R*DS08L4S** | 3DB3F33KE | 51,750 | 45,130 | 33,470 | 28,330 | 23,750 | 19,500 | 15,560 | 11,880 |
| R*DS09L4S** | 3DF3F40KE | 60,780 | 53,780 | 40,200 | 33,770 | 27,850 | 22,380 | 17,560 | 13,350 |
| R*DS10L4S** | 3DS3F46KE | 64,030 | 56,400 | 42,280 | 35,790 | 29,650 | 24,030 | 18,860 | 14,030 |
| R*DS12L4S** | 4DBNF54KE | 77,010 | 67,410 | 50,450 | 42,930 | 36,080 | 29,810 | 24,130 | 18,450 |
| R*DS15L4S** | 4DHNF63KE | 88,400 | 78,210 | 60,110 | 52,050 | 44,630 | 37,790 | 31,520 | 25,710 |
| R*DS22L4S** | 4DJNF76KE | 105,060 | 91,560 | 69,810 | 61,010 | 53,140 | 45,900 | 38,910 | 31,830 |

95°F Ambient

| | | | | | | | | | |
|-------------|-----------|--------|--------|--------|--------|--------|--------|--------|--------|
| R*DS03L4S** | 2DF3F16KE | 21,680 | 18,510 | 13,190 | 10,940 | 8,960 | 7,120 | 5,420 | 3,750 |
| R*DS04L4S** | 2DL3F20KE | 27,700 | 24,100 | 17,580 | 14,630 | 11,990 | 9,570 | 7,410 | 5,490 |
| R*DS05L4S** | 2DA3F23KE | 31,840 | 27,710 | 20,270 | 17,030 | 14,030 | 11,310 | 8,830 | 6,630 |
| R*DS06L4S** | 3DA3F28KE | 41,560 | 35,880 | 25,860 | 21,490 | 17,530 | 13,960 | 10,700 | 7,770 |
| R*DS08L4S** | 3DB3F33KE | 49,430 | 42,940 | 31,510 | 26,490 | 21,990 | 17,780 | 13,990 | 10,360 |
| R*DS09L4S** | 3DF3F40KE | 58,160 | 51,250 | 37,890 | 31,600 | 25,840 | 20,540 | 15,920 | 11,870 |
| R*DS10L4S** | 3DS3F46KE | 61,160 | 53,690 | 39,880 | 33,560 | 27,600 | 22,160 | 17,160 | 12,490 |
| R*DS12L4S** | 4DBNF54KE | 73,570 | 64,230 | 47,800 | 40,510 | 33,840 | 27,710 | 22,150 | 16,560 |
| R*DS15L4S** | 4DHNF63KE | 84,220 | 74,850 | 57,340 | 49,570 | 42,350 | 35,720 | 29,600 | 23,940 |
| R*DS22L4S** | 4DJNF76KE | 99,720 | 87,580 | 66,450 | 57,970 | 50,430 | 43,510 | 36,910 | 30,270 |

100°F Ambient

| | | | | | | | | | |
|-------------|-----------|--------|--------|--------|--------|--------|--------|--------|--------|
| R*DS03L4S** | 2DF3F16KE | 20,700 | 17,640 | 12,480 | 10,300 | 8,360 | 6,550 | 4,850 | 3,170 |
| R*DS04L4S** | 2DL3F20KE | 26,410 | 22,930 | 16,620 | 13,830 | 11,220 | 8,860 | 6,720 | 4,800 |
| R*DS05L4S** | 2DA3F23KE | 30,000 | 26,340 | 19,170 | 16,000 | 13,120 | 10,470 | 8,070 | 5,970 |
| R*DS06L4S** | 3DA3F28KE | 39,680 | 34,150 | 24,360 | 20,080 | 16,210 | 12,700 | 9,500 | 6,600 |
| R*DS08L4S** | 3DB3F33KE | 47,300 | 40,900 | 29,630 | 24,760 | 20,270 | 16,210 | 12,410 | 8,820 |
| R*DS09L4S** | 3DF3F40KE | 56,000 | 49,020 | 35,680 | 29,480 | 23,860 | 18,800 | 14,350 | 10,570 |
| R*DS10L4S** | 3DS3F46KE | 58,690 | 51,300 | 37,670 | 31,430 | 25,670 | 20,490 | 15,650 | 11,220 |
| R*DS12L4S** | 4DBNF54KE | 70,310 | 61,190 | 45,110 | 37,970 | 31,400 | 25,530 | 20,030 | 14,530 |
| R*DS15L4S** | 4DHNF63KE | 80,900 | 71,700 | 54,580 | 46,960 | 39,920 | 33,410 | 27,430 | 21,860 |
| R*DS22L4S** | 4DJNF76KE | 95,670 | 84,060 | 63,740 | 55,530 | 48,180 | 41,380 | 34,810 | 28,110 |

110°F Ambient

| | | | | | | | | | |
|-------------|-----------|--------|--------|--------|--------|--------|--------|--------|--------|
| R*DS03L4S** | 2DF3F16KE | 19,070 | 16,060 | 11,030 | 8,870 | 6,880 | 5,000 | 3,220 | 1,510 |
| R*DS04L4S** | 2DL3F20KE | 24,000 | 20,740 | 14,680 | 11,910 | 9,290 | 6,870 | 4,680 | 2,610 |
| R*DS05L4S** | 2DA3F23KE | 27,360 | 23,610 | 16,800 | 13,730 | 10,830 | 8,140 | 5,700 | 3,540 |
| R*DS06L4S** | 3DA3F28KE | 35,860 | 30,600 | 21,160 | 16,990 | 13,240 | 9,820 | 6,680 | 3,850 |
| R*DS08L4S** | 3DB3F33KE | 43,260 | 36,980 | 25,870 | 21,000 | 16,610 | 12,580 | 8,830 | 5,310 |
| R*DS09L4S** | 3DF3F40KE | 52,010 | 44,750 | 31,190 | 25,100 | 19,690 | 15,050 | 11,140 | 8,070 |
| R*DS10L4S** | 3DS3F46KE | 53,730 | 46,340 | 32,910 | 26,950 | 21,630 | 16,890 | 12,640 | 8,930 |
| R*DS12L4S** | 4DBNF54KE | 63,770 | 54,880 | 39,210 | 32,290 | 26,080 | 20,230 | 14,910 | 9,570 |
| R*DS15L4S** | 4DHNF63KE | 74,260 | 65,270 | 48,570 | 41,170 | 34,310 | 27,950 | 22,090 | 16,630 |
| R*DS22L4S** | 4DJNF76KE | 88,250 | 77,630 | 58,650 | 50,700 | 43,370 | 36,290 | 29,060 | 21,460 |

* Each asterisk represents a variable character based upon model, voltage, and vintage ordered. See page 4 for nomenclature.

These condensing units include Demand Cooling™.

‡ Multiply capacity by .83 when used with 50 Hz power.

AIR COOLED CONDENSING UNITS

Capacity Data (BTUH) - Low Temperature R407F Discus - 60 Hz[‡]

SUCTION TEMPERATURE

| MODEL | COMP. MODEL | 0°F | -5°F | -15°F | -20°F | -25°F | -30°F | -35°F | -40°F |
|-------|-------------|-----|------|-------|-------|-------|-------|-------|-------|
|-------|-------------|-----|------|-------|-------|-------|-------|-------|-------|

90°F Ambient

| | | | | | | | | | |
|-------------|-----------|---------|---------|--------|--------|--------|--------|--------|--------|
| R*DS03L4S** | 2DF3F16KE | 24,920 | 21,270 | 15,190 | 12,640 | 10,390 | 8,330 | 6,440 | 4,600 |
| R*DS04L4S** | 2DL3F20KE | 31,830 | 27,620 | 20,160 | 16,860 | 13,810 | 11,120 | 8,680 | 6,510 |
| R*DS05L4S** | 2DA3F23KE | 36,660 | 31,800 | 23,290 | 19,590 | 16,200 | 13,110 | 10,300 | 7,700 |
| R*DS06L4S** | 3DA3F28KE | 46,990 | 40,590 | 29,780 | 25,100 | 20,940 | 17,100 | 13,490 | 10,090 |
| R*DS08L4S** | 3DB3F33KE | 55,700 | 48,510 | 36,320 | 31,060 | 26,370 | 21,920 | 17,620 | 13,340 |
| R*DS09L4S** | 3DF3F40KE | 67,020 | 58,500 | 43,520 | 36,880 | 30,860 | 25,230 | 20,020 | 15,070 |
| R*DS10L4S** | 3DS3F46KE | 71,570 | 62,390 | 46,530 | 39,610 | 33,160 | 27,220 | 21,600 | 16,060 |
| R*DS12L4S** | 4DBNF54KE | 82,330 | 72,940 | 55,700 | 47,790 | 40,450 | 33,650 | 27,480 | 21,320 |
| R*DS15L4S** | 4DHNF63KE | 94,550 | 84,630 | 66,340 | 57,930 | 50,040 | 42,680 | 35,890 | 29,620 |
| R*DS22L4S** | 4DJNF76KE | 123,010 | 108,260 | 82,400 | 71,380 | 61,650 | 53,270 | 46,260 | 40,690 |

95°F Ambient

| | | | | | | | | | |
|-------------|-----------|---------|---------|--------|--------|--------|--------|--------|--------|
| R*DS03L4S** | 2DF3F16KE | 23,710 | 20,160 | 14,270 | 11,810 | 9,650 | 7,660 | 5,830 | 4,030 |
| R*DS04L4S** | 2DL3F20KE | 30,290 | 26,250 | 19,010 | 15,780 | 12,910 | 10,300 | 7,970 | 5,910 |
| R*DS05L4S** | 2DA3F23KE | 34,820 | 30,170 | 21,920 | 18,370 | 15,110 | 12,170 | 9,500 | 7,140 |
| R*DS06L4S** | 3DA3F28KE | 44,790 | 38,600 | 28,060 | 23,550 | 19,470 | 15,720 | 12,170 | 8,810 |
| R*DS08L4S** | 3DB3F33KE | 53,210 | 46,150 | 34,190 | 29,050 | 24,420 | 19,990 | 15,840 | 11,630 |
| R*DS09L4S** | 3DF3F40KE | 64,130 | 55,740 | 41,010 | 34,510 | 28,630 | 23,150 | 18,150 | 13,400 |
| R*DS10L4S** | 3DS3F46KE | 68,360 | 59,390 | 43,890 | 37,150 | 30,870 | 25,100 | 19,660 | 14,300 |
| R*DS12L4S** | 4DBNF54KE | 78,650 | 69,500 | 52,780 | 45,090 | 37,940 | 31,280 | 25,220 | 19,140 |
| R*DS15L4S** | 4DHNF63KE | 90,080 | 80,990 | 63,290 | 55,170 | 47,480 | 40,340 | 33,710 | 27,590 |
| R*DS22L4S** | 4DJNF76KE | 116,760 | 103,560 | 78,430 | 67,830 | 58,500 | 50,500 | 43,880 | 38,690 |

100°F Ambient

| | | | | | | | | | |
|-------------|-----------|---------|--------|--------|--------|--------|--------|--------|--------|
| R*DS03L4S** | 2DF3F16KE | 22,520 | 19,080 | 13,370 | 11,010 | 8,930 | 7,020 | 5,250 | 3,500 |
| R*DS04L4S** | 2DL3F20KE | 28,740 | 24,800 | 17,810 | 14,780 | 12,000 | 9,510 | 7,290 | 5,300 |
| R*DS05L4S** | 2DA3F23KE | 32,650 | 28,490 | 20,540 | 17,100 | 14,030 | 11,250 | 8,760 | 6,600 |
| R*DS06L4S** | 3DA3F28KE | 42,570 | 36,570 | 26,320 | 21,930 | 17,950 | 14,270 | 10,780 | 7,460 |
| R*DS08L4S** | 3DB3F33KE | 50,770 | 43,840 | 32,090 | 27,120 | 22,510 | 18,260 | 14,100 | 9,940 |
| R*DS09L4S** | 3DF3F40KE | 61,250 | 52,980 | 38,510 | 32,150 | 26,430 | 21,170 | 16,280 | 11,720 |
| R*DS10L4S** | 3DS3F46KE | 65,050 | 56,330 | 41,240 | 34,620 | 28,560 | 23,050 | 17,710 | 12,530 |
| R*DS12L4S** | 4DBNF54KE | 74,840 | 66,000 | 49,770 | 42,290 | 35,280 | 28,940 | 22,960 | 16,970 |
| R*DS15L4S** | 4DHNF63KE | 86,120 | 77,310 | 60,200 | 52,320 | 44,880 | 37,920 | 31,460 | 25,460 |
| R*DS22L4S** | 4DJNF76KE | 111,460 | 98,690 | 74,390 | 64,170 | 55,240 | 47,630 | 41,390 | 36,570 |

110°F Ambient

| | | | | | | | | | |
|-------------|-----------|---------|--------|--------|--------|--------|--------|--------|--------|
| R*DS03L4S** | 2DF3F16KE | 20,330 | 16,990 | 11,650 | 9,480 | 7,560 | 5,800 | 4,150 | 2,500 |
| R*DS04L4S** | 2DL3F20KE | 25,590 | 21,940 | 15,510 | 12,740 | 10,220 | 7,980 | 6,020 | 4,100 |
| R*DS05L4S** | 2DA3F23KE | 29,170 | 24,980 | 17,750 | 14,690 | 11,920 | 9,460 | 7,310 | 5,450 |
| R*DS06L4S** | 3DA3F28KE | 38,110 | 32,510 | 22,850 | 18,670 | 14,890 | 11,360 | 7,970 | 4,710 |
| R*DS08L4S** | 3DB3F33KE | 46,110 | 39,430 | 28,090 | 23,220 | 18,810 | 14,650 | 10,580 | 6,490 |
| R*DS09L4S** | 3DF3F40KE | 55,580 | 47,570 | 33,630 | 27,560 | 22,110 | 17,200 | 12,660 | 8,480 |
| R*DS10L4S** | 3DS3F46KE | 58,390 | 50,130 | 35,840 | 29,650 | 24,070 | 18,920 | 13,990 | 9,220 |
| R*DS12L4S** | 4DBNF54KE | 67,060 | 58,770 | 43,470 | 36,410 | 29,950 | 23,740 | 18,060 | 12,290 |
| R*DS15L4S** | 4DHNF63KE | 78,050 | 69,870 | 53,900 | 46,520 | 39,530 | 32,920 | 26,760 | 21,010 |
| R*DS22L4S** | 4DJNF76KE | 100,770 | 88,800 | 66,100 | 56,600 | 48,420 | 41,580 | 36,040 | 31,900 |

* Each asterisk represents a variable character based upon model, voltage, and vintage ordered. See page 4 for nomenclature.

These condensing units include Demand Cooling™.

‡ Multiply capacity by .83 when used with 50 Hz power.

3 TO 22 HP

Capacity Data (BTUH) - Low Temperature R448A/449A Discus - 60 Hz[‡]

SUCTION TEMPERATURE

| MODEL | COMP. MODEL | 0°F | -5°F | -15°F | -20°F | -25°F | -30°F | -35°F | -40°F |
|-------|-------------|-----|------|-------|-------|-------|-------|-------|-------|
|-------|-------------|-----|------|-------|-------|-------|-------|-------|-------|

90°F Ambient

| | | | | | | | | | |
|-------------|-----------|---------|---------|--------|--------|--------|--------|--------|--------|
| R*DS03L4S** | 2DF3F16KE | 25,790 | 22,040 | 15,770 | 13,140 | 10,840 | 8,760 | 6,880 | 5,070 |
| R*DS04L4S** | 2DL3F20KE | 32,980 | 28,630 | 20,920 | 17,530 | 14,410 | 11,700 | 9,300 | 7,210 |
| R*DS05L4S** | 2DA3F23KE | 37,890 | 32,880 | 24,180 | 20,410 | 16,940 | 13,760 | 10,840 | 8,090 |
| R*DS06L4S** | 3DA3F28KE | 48,750 | 42,170 | 30,890 | 26,030 | 21,810 | 18,050 | 14,720 | 11,810 |
| R*DS08L4S** | 3DB3F33KE | 57,610 | 50,230 | 37,690 | 32,300 | 27,530 | 23,070 | 18,840 | 14,700 |
| R*DS09L4S** | 3DF3F40KE | 69,330 | 60,590 | 45,170 | 38,350 | 32,220 | 26,550 | 21,390 | 16,600 |
| R*DS10L4S** | 3DS3F46KE | 74,040 | 64,620 | 48,300 | 41,190 | 34,620 | 28,640 | 23,080 | 17,690 |
| R*DS12L4S** | 4DBNF54KE | 85,190 | 75,550 | 57,810 | 49,700 | 42,230 | 35,420 | 29,370 | 23,470 |
| R*DS15L4S** | 4DHNF63KE | 97,340 | 87,210 | 68,900 | 60,480 | 52,440 | 44,680 | 37,110 | 29,560 |
| R*DS22L4S** | 4DJNF76KE | 126,050 | 110,970 | 85,690 | 74,910 | 64,920 | 55,410 | 46,000 | 36,340 |

95°F Ambient

| | | | | | | | | | |
|-------------|-----------|---------|---------|--------|--------|--------|--------|--------|--------|
| R*DS03L4S** | 2DF3F16KE | 24,540 | 20,890 | 14,810 | 12,280 | 10,070 | 8,060 | 6,230 | 4,440 |
| R*DS04L4S** | 2DL3F20KE | 31,380 | 27,210 | 19,730 | 16,400 | 13,470 | 10,840 | 8,540 | 6,540 |
| R*DS05L4S** | 2DA3F23KE | 35,990 | 31,200 | 22,760 | 19,140 | 15,800 | 12,780 | 10,000 | 7,500 |
| R*DS06L4S** | 3DA3F28KE | 46,470 | 40,100 | 29,110 | 24,420 | 20,270 | 16,590 | 13,280 | 10,310 |
| R*DS08L4S** | 3DB3F33KE | 55,040 | 47,790 | 35,480 | 30,210 | 25,500 | 21,040 | 16,940 | 12,820 |
| R*DS09L4S** | 3DF3F40KE | 66,340 | 57,730 | 42,570 | 35,890 | 29,890 | 24,360 | 19,400 | 14,760 |
| R*DS10L4S** | 3DS3F46KE | 70,720 | 61,510 | 45,560 | 38,630 | 32,230 | 26,410 | 21,010 | 15,750 |
| R*DS12L4S** | 4DBNF54KE | 81,380 | 71,990 | 54,780 | 46,890 | 39,610 | 32,920 | 26,960 | 21,070 |
| R*DS15L4S** | 4DHNF63KE | 92,740 | 83,460 | 65,740 | 57,600 | 49,760 | 42,230 | 34,860 | 27,540 |
| R*DS22L4S** | 4DJNF76KE | 119,640 | 106,160 | 81,560 | 71,180 | 61,600 | 52,530 | 43,630 | 34,550 |

100°F Ambient

| | | | | | | | | | |
|-------------|-----------|---------|---------|--------|--------|--------|--------|--------|--------|
| R*DS03L4S** | 2DF3F16KE | 23,350 | 19,810 | 13,890 | 11,450 | 9,320 | 7,380 | 5,610 | 3,870 |
| R*DS04L4S** | 2DL3F20KE | 29,830 | 25,750 | 18,510 | 15,380 | 12,530 | 10,010 | 7,810 | 5,870 |
| R*DS05L4S** | 2DA3F23KE | 33,800 | 29,510 | 21,350 | 17,820 | 14,660 | 11,770 | 9,150 | 6,830 |
| R*DS06L4S** | 3DA3F28KE | 44,260 | 38,060 | 27,330 | 22,770 | 18,720 | 15,120 | 11,870 | 8,920 |
| R*DS08L4S** | 3DB3F33KE | 52,610 | 45,470 | 33,330 | 28,220 | 23,510 | 19,220 | 15,080 | 10,990 |
| R*DS09L4S** | 3DF3F40KE | 63,480 | 54,970 | 40,010 | 33,450 | 27,590 | 22,270 | 17,400 | 12,940 |
| R*DS10L4S** | 3DS3F46KE | 67,420 | 58,440 | 42,850 | 36,020 | 29,820 | 24,250 | 18,930 | 13,840 |
| R*DS12L4S** | 4DBNF54KE | 77,590 | 68,480 | 51,700 | 44,000 | 36,840 | 30,460 | 24,550 | 18,720 |
| R*DS15L4S** | 4DHNF63KE | 88,810 | 79,800 | 62,580 | 54,610 | 46,920 | 39,450 | 32,100 | 24,750 |
| R*DS22L4S** | 4DJNF76KE | 114,350 | 101,320 | 77,410 | 67,250 | 57,840 | 48,850 | 39,970 | 30,850 |

110°F Ambient

| | | | | | | | | | |
|-------------|-----------|---------|--------|--------|--------|--------|--------|--------|--------|
| R*DS03L4S** | 2DF3F16KE | 21,160 | 17,690 | 12,120 | 9,860 | 7,880 | 6,100 | 4,450 | 2,810 |
| R*DS04L4S** | 2DL3F20KE | 26,640 | 22,850 | 16,140 | 13,270 | 10,670 | 8,400 | 6,450 | 4,560 |
| R*DS05L4S** | 2DA3F23KE | 30,300 | 25,970 | 18,490 | 15,300 | 12,390 | 9,750 | 7,400 | 5,320 |
| R*DS06L4S** | 3DA3F28KE | 39,750 | 33,910 | 23,740 | 19,420 | 15,620 | 12,250 | 9,190 | 6,370 |
| R*DS08L4S** | 3DB3F33KE | 47,980 | 41,040 | 29,220 | 24,170 | 19,630 | 15,420 | 11,350 | 7,310 |
| R*DS09L4S** | 3DF3F40KE | 57,840 | 49,520 | 34,980 | 28,670 | 23,060 | 18,080 | 13,570 | 9,570 |
| R*DS10L4S** | 3DS3F46KE | 60,760 | 52,180 | 37,280 | 30,850 | 25,100 | 19,890 | 15,000 | 10,410 |
| R*DS12L4S** | 4DBNF54KE | 69,800 | 61,170 | 45,210 | 37,890 | 31,250 | 24,980 | 19,390 | 13,870 |
| R*DS15L4S** | 4DHNF63KE | 80,890 | 72,480 | 56,140 | 48,440 | 40,890 | 33,360 | 25,790 | 18,000 |
| R*DS22L4S** | 4DJNF76KE | 103,990 | 91,780 | 68,990 | 58,980 | 49,500 | 40,180 | 30,630 | 20,700 |

* Each asterisk represents a variable character based upon model, voltage, and vintage ordered. See page 4 for nomenclature.

These condensing units include Demand Cooling™.

‡ Multiply capacity by .83 when used with 50 Hz power.

AIR COOLED CONDENSING UNITS

Capacity Data (BTUH) - Low Temperature R404A Scroll - 60 Hz[‡]

SUCTION TEMPERATURE

| MODEL | COMP. MODEL | 0°F | -5°F | -15°F | -20°F | -25°F | -30°F | -35°F | -40°F |
|-------|-------------|-----|------|-------|-------|-------|-------|-------|-------|
|-------|-------------|-----|------|-------|-------|-------|-------|-------|-------|

90°F Ambient

| | | | | | | | | | |
|-------------|---------|--------|--------|--------|--------|--------|--------|--------|--------|
| R*OS08L4S** | ZF25K4E | 41,280 | 37,170 | 29,800 | 26,530 | 23,530 | 20,780 | 18,280 | 16,030 |
| R*OS10L4S** | ZF34K5E | 56,240 | 50,670 | 40,640 | 36,130 | 31,910 | 28,000 | 24,360 | 20,960 |
| R*OS13L4S** | ZF41K5E | 68,360 | 61,810 | 50,000 | 44,670 | 39,700 | 35,070 | 30,730 | 26,660 |
| R*OS15L4S** | ZF49K5E | 81,350 | 73,550 | 59,360 | 52,980 | 47,050 | 41,590 | 36,550 | 31,920 |

95°F Ambient

| | | | | | | | | | |
|-------------|---------|--------|--------|--------|--------|--------|--------|--------|--------|
| R*OS08L4S** | ZF25K4E | 39,480 | 35,540 | 28,510 | 25,380 | 22,530 | 19,920 | 17,550 | 15,420 |
| R*OS10L4S** | ZF34K5E | 53,750 | 48,450 | 38,870 | 34,560 | 30,530 | 26,780 | 23,270 | 20,000 |
| R*OS13L4S** | ZF41K5E | 65,340 | 59,110 | 47,850 | 42,760 | 38,000 | 33,560 | 29,390 | 25,470 |
| R*OS15L4S** | ZF49K5E | 77,680 | 70,240 | 56,700 | 50,610 | 44,940 | 39,710 | 34,880 | 30,430 |

100°F Ambient

| | | | | | | | | | |
|-------------|---------|--------|--------|--------|--------|--------|--------|--------|--------|
| R*OS08L4S** | ZF25K4E | 37,640 | 33,900 | 27,190 | 24,230 | 21,520 | 19,060 | 16,830 | 14,830 |
| R*OS10L4S** | ZF34K5E | 51,210 | 46,170 | 37,060 | 32,960 | 29,100 | 25,510 | 22,150 | 19,010 |
| R*OS13L4S** | ZF41K5E | 62,270 | 56,360 | 45,640 | 40,790 | 36,250 | 32,000 | 28,000 | 24,230 |
| R*OS15L4S** | ZF49K5E | 73,920 | 66,850 | 53,970 | 48,160 | 42,760 | 37,770 | 33,150 | 28,900 |

110°F Ambient

| | | | | | | | | | |
|-------------|---------|--------|--------|--------|--------|--------|--------|--------|--------|
| R*OS08L4S** | ZF25K4E | 33,910 | 30,550 | 24,540 | 21,910 | 19,510 | 17,350 | 15,390 | 13,650 |
| R*OS10L4S** | ZF34K5E | 45,970 | 41,470 | 33,300 | 29,590 | 26,130 | 22,880 | 19,820 | 16,950 |
| R*OS13L4S** | ZF41K5E | 55,960 | 50,670 | 41,040 | 36,670 | 32,570 | 28,720 | 25,070 | 21,610 |
| R*OS15L4S** | ZF49K5E | 66,190 | 59,860 | 48,290 | 43,050 | 38,210 | 33,690 | 29,510 | 25,650 |

* Each asterisk represents a variable character based upon model, voltage, and vintage ordered. See page 4 for complete nomenclature.

These condensing units include liquid injection.

‡ Multiply capacity by .83 when used with 50 Hz power.



Next-Gen II Air Cooled Condensing Units can be used in combination with Russell unit coolers to provide a complete refrigeration solution for walk-in coolers and freezers.

3 TO 22 HP

Capacity Data (BTUH) - Low Temperature **R407A Scroll** - 60 Hz[‡]

SUCTION TEMPERATURE

| MODEL | COMP. MODEL | 0°F | -5°F | -15°F | -20°F | -25°F | -30°F | -35°F | -40°F |
|---------------------|-------------|--------|--------|--------|--------|--------|--------|--------|--------|
| 90°F Ambient | | | | | | | | | |
| R*OS08L4S** | ZF25K4E | 37,630 | 33,530 | 26,130 | 22,900 | 20,040 | 17,600 | 15,540 | 13,950 |
| R*OS10L4S** | ZF34K5E | 54,090 | 48,100 | 37,260 | 32,500 | 28,310 | 24,650 | 21,540 | 19,110 |
| R*OS13L4S** | ZF41K5E | 64,420 | 57,420 | 44,820 | 39,300 | 34,400 | 30,090 | 26,490 | 23,640 |
| R*OS15L4S** | ZF49K5E | 77,420 | 68,860 | 53,440 | 46,710 | 40,750 | 35,700 | 31,510 | 27,310 |

95°F Ambient

| | | | | | | | | | |
|-------------|---------|--------|--------|--------|--------|--------|--------|--------|--------|
| R*OS08L4S** | ZF25K4E | 36,420 | 32,430 | 25,230 | 22,110 | 19,330 | 16,940 | 14,970 | 13,470 |
| R*OS10L4S** | ZF34K5E | 52,370 | 46,510 | 35,940 | 31,310 | 27,220 | 23,670 | 20,670 | 18,340 |
| R*OS13L4S** | ZF41K5E | 62,370 | 55,540 | 43,240 | 37,860 | 33,080 | 28,940 | 25,440 | 22,670 |
| R*OS15L4S** | ZF49K5E | 74,900 | 66,530 | 51,480 | 44,930 | 39,130 | 34,230 | 30,180 | 26,120 |

100°F Ambient

| | | | | | | | | | |
|-------------|---------|--------|--------|--------|--------|--------|--------|--------|--------|
| R*OS08L4S** | ZF25K4E | 35,190 | 31,300 | 24,310 | 21,270 | 18,580 | 16,280 | 14,380 | 12,930 |
| R*OS10L4S** | ZF34K5E | 50,590 | 44,870 | 34,570 | 30,070 | 26,100 | 22,600 | 19,730 | 17,490 |
| R*OS13L4S** | ZF41K5E | 60,270 | 53,630 | 41,650 | 36,420 | 31,750 | 27,690 | 24,300 | 21,640 |
| R*OS15L4S** | ZF49K5E | 72,310 | 64,150 | 49,520 | 43,140 | 37,500 | 32,650 | 28,850 | 24,940 |

110°F Ambient

| | | | | | | | | | |
|-------------|---------|--------|--------|--------|--------|--------|--------|--------|--------|
| R*OS08L4S** | ZF25K4E | 32,640 | 28,970 | 22,400 | 19,550 | 17,030 | 14,880 | 13,130 | 11,800 |
| R*OS10L4S** | ZF34K5E | 46,890 | 41,460 | 31,700 | 27,450 | 23,720 | 20,460 | 17,760 | 15,700 |
| R*OS13L4S** | ZF41K5E | 55,870 | 49,570 | 38,210 | 33,250 | 28,840 | 25,100 | 21,830 | 19,330 |
| R*OS15L4S** | ZF49K5E | 66,870 | 59,130 | 45,250 | 39,200 | 33,910 | 29,490 | 25,630 | 21,760 |

See notes at bottom of page.

Capacity Data (BTUH) - Low Temperature **R407C Scroll** - 60 Hz[‡]

SUCTION TEMPERATURE

| MODEL | COMP. MODEL | 0°F | -5°F | -15°F | -20°F | -25°F | -30°F | -35°F | -40°F |
|---------------------|-------------|--------|--------|--------|--------|--------|--------|--------|--------|
| 90°F Ambient | | | | | | | | | |
| R*OS08L4S** | ZF25K4E | 35,070 | 31,280 | 24,330 | 21,270 | 18,560 | 16,260 | 14,360 | 12,940 |
| R*OS10L4S** | ZF34K5E | 50,870 | 45,280 | 35,020 | 30,470 | 26,460 | 22,990 | 20,090 | 17,900 |
| R*OS13L4S** | ZF41K5E | 59,480 | 53,070 | 41,350 | 36,170 | 31,570 | 27,550 | 24,250 | 21,740 |
| R*OS15L4S** | ZF49K5E | 72,480 | 64,530 | 49,990 | 43,580 | 37,910 | 33,140 | 29,250 | 25,460 |

95°F Ambient

| | | | | | | | | | |
|-------------|---------|--------|--------|--------|--------|--------|--------|--------|--------|
| R*OS08L4S** | ZF25K4E | 34,020 | 30,320 | 23,540 | 20,570 | 17,930 | 15,680 | 13,870 | 12,540 |
| R*OS10L4S** | ZF34K5E | 49,380 | 43,890 | 33,840 | 29,410 | 25,490 | 22,120 | 19,320 | 17,240 |
| R*OS13L4S** | ZF41K5E | 57,730 | 51,450 | 39,970 | 34,910 | 30,410 | 26,550 | 23,350 | 20,920 |
| R*OS15L4S** | ZF49K5E | 70,290 | 62,480 | 48,240 | 42,000 | 36,470 | 31,840 | 28,080 | 24,440 |

100°F Ambient

| | | | | | | | | | |
|-------------|---------|--------|--------|--------|--------|--------|--------|--------|--------|
| R*OS08L4S** | ZF25K4E | 32,960 | 29,330 | 22,720 | 19,830 | 17,270 | 15,110 | 13,360 | 12,090 |
| R*OS10L4S** | ZF34K5E | 47,820 | 42,440 | 32,620 | 28,290 | 24,490 | 21,160 | 18,500 | 16,500 |
| R*OS13L4S** | ZF41K5E | 55,930 | 49,800 | 38,580 | 33,640 | 29,240 | 25,460 | 22,360 | 20,040 |
| R*OS15L4S** | ZF49K5E | 68,030 | 60,390 | 46,500 | 40,400 | 35,020 | 30,430 | 26,920 | 23,420 |

110°F Ambient

| | | | | | | | | | |
|-------------|---------|--------|--------|--------|--------|--------|--------|--------|--------|
| R*OS08L4S** | ZF25K4E | 30,740 | 27,280 | 21,030 | 18,300 | 15,890 | 13,870 | 12,260 | 11,110 |
| R*OS10L4S** | ZF34K5E | 44,570 | 39,410 | 30,030 | 25,930 | 22,340 | 19,240 | 16,740 | 14,930 |
| R*OS13L4S** | ZF41K5E | 52,130 | 46,260 | 35,540 | 30,830 | 26,670 | 23,170 | 20,200 | 18,050 |
| R*OS15L4S** | ZF49K5E | 63,260 | 55,950 | 42,670 | 36,850 | 31,790 | 27,600 | 24,040 | 20,590 |

* Each asterisk represents a variable character based upon model, voltage, and vintage ordered. See page 4 for nomenclature.

These condensing units include liquid injection.

‡ Multiply capacity by .83 when used with 50 Hz power.

AIR COOLED CONDENSING UNITS

Capacity Data (BTUH) - Low Temperature R407F Scroll - 60 Hz[‡]

SUCTION TEMPERATURE

| MODEL | COMP. MODEL | 0°F | -5°F | -15°F | -20°F | -25°F | -30°F | -35°F | -40°F |
|-------|-------------|-----|------|-------|-------|-------|-------|-------|-------|
|-------|-------------|-----|------|-------|-------|-------|-------|-------|-------|

90°F Ambient

| | | | | | | | | | |
|-------------|---------|--------|--------|--------|--------|--------|--------|--------|--------|
| R*OS08L4S** | ZF25K4E | 37,630 | 33,530 | 26,130 | 22,900 | 20,040 | 17,600 | 15,540 | 13,950 |
| R*OS10L4S** | ZF34K5E | 54,090 | 48,100 | 37,260 | 32,500 | 28,310 | 24,650 | 21,540 | 19,110 |
| R*OS13L4S** | ZF41K5E | 64,420 | 57,420 | 44,820 | 39,300 | 34,400 | 30,090 | 26,490 | 23,640 |
| R*OS15L4S** | ZF49K5E | 77,420 | 68,860 | 53,440 | 46,710 | 40,750 | 35,700 | 31,510 | 27,310 |

95°F Ambient

| | | | | | | | | | |
|-------------|---------|--------|--------|--------|--------|--------|--------|--------|--------|
| R*OS08L4S** | ZF25K4E | 36,420 | 32,430 | 25,230 | 22,110 | 19,330 | 16,940 | 14,970 | 13,470 |
| R*OS10L4S** | ZF34K5E | 52,370 | 46,510 | 35,940 | 31,310 | 27,220 | 23,670 | 20,670 | 18,340 |
| R*OS13L4S** | ZF41K5E | 62,370 | 55,540 | 43,240 | 37,860 | 33,080 | 28,940 | 25,440 | 22,670 |
| R*OS15L4S** | ZF49K5E | 74,900 | 66,530 | 51,480 | 44,930 | 39,130 | 34,230 | 30,180 | 26,120 |

100°F Ambient

| | | | | | | | | | |
|-------------|---------|--------|--------|--------|--------|--------|--------|--------|--------|
| R*OS08L4S** | ZF25K4E | 35,190 | 31,300 | 24,310 | 21,270 | 18,580 | 16,280 | 14,380 | 12,930 |
| R*OS10L4S** | ZF34K5E | 50,590 | 44,870 | 34,570 | 30,070 | 26,100 | 22,600 | 19,730 | 17,490 |
| R*OS13L4S** | ZF41K5E | 60,270 | 53,630 | 41,650 | 36,420 | 31,750 | 27,690 | 24,300 | 21,640 |
| R*OS15L4S** | ZF49K5E | 72,310 | 64,150 | 49,520 | 43,140 | 37,500 | 32,650 | 28,850 | 24,940 |

110°F Ambient

| | | | | | | | | | |
|-------------|---------|--------|--------|--------|--------|--------|--------|--------|--------|
| R*OS08L4S** | ZF25K4E | 32,640 | 28,970 | 22,400 | 19,550 | 17,030 | 14,880 | 13,130 | 11,800 |
| R*OS10L4S** | ZF34K5E | 46,890 | 41,460 | 31,700 | 27,450 | 23,720 | 20,460 | 17,760 | 15,700 |
| R*OS13L4S** | ZF41K5E | 55,870 | 49,570 | 38,210 | 33,250 | 28,840 | 25,100 | 21,830 | 19,330 |
| R*OS15L4S** | ZF49K5E | 66,870 | 59,130 | 45,250 | 39,200 | 33,910 | 29,490 | 25,630 | 21,760 |

See notes at bottom of page.

Capacity Data (BTUH) - Low Temperature R448/449A Scroll - 60 Hz[‡]

SUCTION TEMPERATURE

| MODEL | COMP. MODEL | 0°F | -5°F | -15°F | -20°F | -25°F | -30°F | -35°F | -40°F |
|-------|-------------|-----|------|-------|-------|-------|-------|-------|-------|
|-------|-------------|-----|------|-------|-------|-------|-------|-------|-------|

90°F Ambient

| | | | | | | | | | |
|-------------|---------|--------|--------|--------|--------|--------|--------|--------|--------|
| R*OS08L4S** | ZF25K4E | 40,250 | 35,750 | 27,840 | 24,430 | 21,390 | 18,740 | 16,410 | 14,450 |
| R*OS10L4S** | ZF34K5E | 52,970 | 47,210 | 37,010 | 32,500 | 28,420 | 24,660 | 21,150 | 17,970 |
| R*OS13L4S** | ZF41K5E | 64,880 | 57,960 | 45,780 | 40,410 | 35,510 | 30,940 | 26,740 | 22,860 |
| R*OS15L4S** | ZF49K5E | 77,910 | 69,460 | 54,530 | 47,980 | 42,010 | 36,660 | 31,770 | 26,390 |

95°F Ambient

| | | | | | | | | | |
|-------------|---------|--------|--------|--------|--------|--------|--------|--------|--------|
| R*OS08L4S** | ZF25K4E | 38,790 | 34,440 | 26,820 | 23,580 | 20,690 | 18,160 | 16,000 | 14,210 |
| R*OS10L4S** | ZF34K5E | 51,230 | 45,620 | 35,730 | 31,380 | 27,430 | 23,800 | 20,440 | 17,390 |
| R*OS13L4S** | ZF41K5E | 62,750 | 56,020 | 44,210 | 39,020 | 34,270 | 29,920 | 25,870 | 22,110 |
| R*OS15L4S** | ZF49K5E | 75,300 | 67,060 | 52,580 | 46,250 | 40,490 | 35,340 | 30,640 | 25,460 |

100°F Ambient

| | | | | | | | | | |
|-------------|---------|--------|--------|--------|--------|--------|--------|--------|--------|
| R*OS08L4S** | ZF25K4E | 37,290 | 33,090 | 25,810 | 22,720 | 20,000 | 17,650 | 15,650 | 14,020 |
| R*OS10L4S** | ZF34K5E | 49,390 | 43,950 | 34,410 | 30,220 | 26,440 | 22,910 | 19,730 | 16,820 |
| R*OS13L4S** | ZF41K5E | 60,510 | 54,020 | 42,630 | 37,650 | 33,070 | 28,860 | 24,980 | 21,410 |
| R*OS15L4S** | ZF49K5E | 72,540 | 64,570 | 50,630 | 44,540 | 39,010 | 33,980 | 29,610 | 24,650 |

110°F Ambient

| | | | | | | | | | |
|-------------|---------|--------|--------|--------|--------|--------|--------|--------|--------|
| R*OS08L4S** | ZF25K4E | 34,190 | 30,370 | 23,850 | 21,150 | 18,800 | 16,810 | 15,190 | 13,910 |
| R*OS10L4S** | ZF34K5E | 45,490 | 40,460 | 31,690 | 27,890 | 24,480 | 21,330 | 18,460 | 15,880 |
| R*OS13L4S** | ZF41K5E | 55,740 | 49,750 | 39,300 | 34,750 | 30,610 | 26,910 | 23,330 | 20,120 |
| R*OS15L4S** | ZF49K5E | 66,670 | 59,300 | 46,490 | 40,920 | 35,950 | 31,580 | 27,370 | 22,630 |

* Each asterisk represents a variable character based upon model, voltage, and vintage ordered. See page 4 for nomenclature.

These condensing units include liquid injection.

‡ Multiply capacity by .83 when used with 50 Hz power.

3TO 22 HP

Capacity Data (BTUH) - Low Temperature R404A Bitzer - 60 Hz[‡]

SUCTION TEMPERATURE

| MODEL | COMP. MODEL | 0°F | -5°F | -15°F | -20°F | -25°F | -30°F | -35°F | -40°F |
|-------|-------------|-----|------|-------|-------|-------|-------|-------|-------|
|-------|-------------|-----|------|-------|-------|-------|-------|-------|-------|

90°F Ambient

| | | | | | | | | | |
|-------------|---------|---------|---------|--------|--------|--------|--------|--------|--------|
| R*BS03L4S** | 4FES-3 | 27,270 | 24,260 | 18,860 | 16,480 | 14,310 | 12,330 | 10,530 | 8,880 |
| R*BS04L4S** | 4EES-4 | 35,440 | 31,410 | 24,270 | 21,130 | 18,260 | 15,660 | 13,310 | 11,200 |
| R*BS05L4S** | 4DES-5 | 41,160 | 36,570 | 28,380 | 24,780 | 21,470 | 18,460 | 15,710 | 13,230 |
| R*BS06L4S** | 4CES-6 | 47,860 | 42,570 | 33,090 | 28,910 | 25,060 | 21,530 | 18,310 | 15,370 |
| R*BS08L4S** | 4TES-9 | 64,310 | 56,650 | 43,200 | 37,340 | 32,010 | 27,180 | 22,830 | 18,910 |
| R*BS09L4S** | 4PES-12 | 71,120 | 62,540 | 47,430 | 40,820 | 34,820 | 29,370 | 24,460 | 20,020 |
| R*BS10L4S** | 4NES-14 | 83,070 | 73,530 | 56,590 | 49,120 | 42,260 | 36,030 | 30,370 | 25,260 |
| R*BS12L4S** | 4JE-15 | 94,760 | 84,390 | 65,720 | 57,400 | 49,700 | 42,570 | 36,040 | 30,060 |
| R*BS15L4S** | 4HE-18 | 109,910 | 98,330 | 77,350 | 67,930 | 59,170 | 51,070 | 43,580 | 36,660 |
| R*BS22L4S** | 4GE-23 | 132,420 | 118,370 | 93,020 | 81,690 | 71,200 | 61,560 | 52,690 | 44,510 |

95°F Ambient

| | | | | | | | | | |
|-------------|---------|---------|---------|--------|--------|--------|--------|--------|--------|
| R*BS03L4S** | 4FES-3 | 25,710 | 22,880 | 17,750 | 15,520 | 13,450 | 11,570 | 9,850 | 8,280 |
| R*BS04L4S** | 4EES-4 | 33,480 | 29,630 | 22,830 | 19,840 | 17,120 | 14,650 | 12,420 | 10,420 |
| R*BS05L4S** | 4DES-5 | 38,880 | 34,500 | 26,690 | 23,260 | 20,110 | 17,250 | 14,650 | 12,300 |
| R*BS06L4S** | 4CES-6 | 45,190 | 40,120 | 31,070 | 27,070 | 23,410 | 20,060 | 17,010 | 14,240 |
| R*BS08L4S** | 4TES-9 | 60,640 | 53,320 | 40,460 | 34,880 | 29,810 | 25,230 | 21,090 | 17,400 |
| R*BS09L4S** | 4PES-12 | 66,870 | 58,650 | 44,230 | 37,940 | 32,240 | 27,070 | 22,430 | 18,250 |
| R*BS10L4S** | 4NES-14 | 78,230 | 69,110 | 52,950 | 45,830 | 39,310 | 33,400 | 28,040 | 23,210 |
| R*BS12L4S** | 4JE-15 | 89,480 | 79,550 | 61,720 | 53,730 | 46,370 | 39,590 | 33,380 | 27,710 |
| R*BS15L4S** | 4HE-18 | 103,830 | 92,810 | 72,750 | 63,750 | 55,400 | 47,690 | 40,570 | 34,010 |
| R*BS22L4S** | 4GE-23 | 125,330 | 111,950 | 87,710 | 76,890 | 66,890 | 57,710 | 49,270 | 41,550 |

100°F Ambient

| | | | | | | | | | |
|-------------|---------|---------|---------|--------|--------|--------|--------|--------|--------|
| R*BS03L4S** | 4FES-3 | 24,190 | 21,570 | 16,680 | 14,540 | 12,580 | 10,800 | 9,170 | 7,680 |
| R*BS04L4S** | 4EES-4 | 31,510 | 27,850 | 21,390 | 18,550 | 15,970 | 13,640 | 11,530 | 9,640 |
| R*BS05L4S** | 4DES-5 | 36,610 | 32,420 | 25,000 | 21,750 | 18,770 | 16,060 | 13,600 | 11,390 |
| R*BS06L4S** | 4CES-6 | 42,540 | 37,700 | 29,060 | 25,270 | 21,790 | 18,610 | 15,730 | 13,120 |
| R*BS08L4S** | 4TES-9 | 57,010 | 50,000 | 37,750 | 32,430 | 27,630 | 23,300 | 19,410 | 15,920 |
| R*BS09L4S** | 4PES-12 | 62,630 | 54,800 | 41,080 | 35,090 | 29,690 | 24,820 | 20,440 | 16,530 |
| R*BS10L4S** | 4NES-14 | 73,410 | 64,750 | 49,320 | 42,570 | 36,380 | 30,780 | 25,740 | 21,190 |
| R*BS12L4S** | 4JE-15 | 84,280 | 74,720 | 57,700 | 50,120 | 43,090 | 36,640 | 30,770 | 25,400 |
| R*BS15L4S** | 4HE-18 | 97,820 | 87,310 | 68,180 | 59,600 | 51,660 | 44,340 | 37,600 | 31,400 |
| R*BS22L4S** | 4GE-23 | 118,330 | 105,540 | 82,430 | 72,110 | 62,620 | 53,900 | 45,910 | 38,610 |

110°F Ambient

| | | | | | | | | | |
|-------------|---------|---------|--------|--------|--------|--------|--------|--------|--------|
| R*BS03L4S** | 4FES-3 | 21,370 | 18,850 | 14,480 | 12,580 | 10,840 | 9,260 | 7,810 | 6,470 |
| R*BS04L4S** | 4EES-4 | 27,570 | 24,280 | 18,510 | 15,980 | 13,690 | 11,620 | 9,750 | 8,090 |
| R*BS05L4S** | 4DES-5 | 32,080 | 28,300 | 21,650 | 18,740 | 16,100 | 13,690 | 11,520 | 9,580 |
| R*BS06L4S** | 4CES-6 | 37,290 | 32,890 | 25,130 | 21,720 | 18,610 | 15,800 | 13,250 | 10,960 |
| R*BS08L4S** | 4TES-9 | 49,870 | 43,490 | 32,440 | 27,680 | 23,390 | 19,550 | 16,110 | 13,060 |
| R*BS09L4S** | 4PES-12 | 54,330 | 47,220 | 34,890 | 29,560 | 24,750 | 20,460 | 16,620 | 13,210 |
| R*BS10L4S** | 4NES-14 | 63,850 | 56,050 | 42,180 | 36,140 | 30,640 | 25,690 | 21,240 | 17,270 |
| R*BS12L4S** | 4JE-15 | 73,850 | 65,260 | 49,840 | 42,960 | 36,670 | 30,910 | 25,670 | 20,930 |
| R*BS15L4S** | 4HE-18 | 85,880 | 76,400 | 59,170 | 51,430 | 44,320 | 37,790 | 31,810 | 26,340 |
| R*BS22L4S** | 4GE-23 | 104,370 | 92,810 | 71,940 | 62,670 | 54,170 | 46,400 | 39,320 | 32,880 |

* Each asterisk represents a variable character based upon model, voltage, and vintage ordered. See page 4 for nomenclature.

These condensing units include liquid injection.

‡ Multiply capacity by .83 when used with 50 Hz power.

AIR COOLED CONDENSING UNITS

Capacity Data (BTUH) - Low Temperature R407A Bitzer - 60 Hz[‡]

SUCTION TEMPERATURE

| MODEL | COMP. MODEL | 0°F | -5°F | -15°F | -20°F | -25°F | -30°F | -35°F | -40°F |
|-------|-------------|-----|------|-------|-------|-------|-------|-------|-------|
|-------|-------------|-----|------|-------|-------|-------|-------|-------|-------|

90°F Ambient

| | | | | | | | | | |
|-------------|---------|---------|---------|--------|--------|--------|--------|--------|--------|
| R*BS03L4S** | 4FES-3 | 23,790 | 20,700 | 15,390 | 13,060 | 10,980 | 9,160 | 7,520 | 5,980 |
| R*BS04L4S** | 4EES-4 | 30,260 | 26,240 | 19,350 | 16,420 | 13,740 | 11,390 | 9,260 | 7,140 |
| R*BS05L4S** | 4DES-5 | 34,860 | 30,250 | 22,350 | 18,910 | 15,860 | 13,120 | 10,660 | 8,450 |
| R*BS06L4S** | 4CES-6 | 42,420 | 37,040 | 27,680 | 23,650 | 19,990 | 16,720 | 13,770 | 11,120 |
| R*BS08L4S** | 4TES-9 | 55,870 | 48,460 | 35,570 | 30,020 | 25,100 | 20,570 | 16,480 | 12,760 |
| R*BS09L4S** | 4PES-12 | 61,450 | 53,100 | 38,520 | 32,300 | 26,630 | 21,510 | 16,900 | 12,690 |
| R*BS10L4S** | 4NES-14 | 72,420 | 62,960 | 46,390 | 39,150 | 32,710 | 26,840 | 21,470 | 16,110 |
| R*BS12L4S** | 4JE-15 | 82,330 | 72,940 | 55,700 | 47,790 | 40,450 | 33,650 | 27,480 | 21,320 |
| R*BS15L4S** | 4HE-18 | 94,550 | 84,630 | 66,340 | 57,930 | 50,040 | 42,680 | 35,890 | 29,620 |
| R*BS22L4S** | 4GE-23 | 123,010 | 108,260 | 82,400 | 71,380 | 61,650 | 53,270 | 46,260 | 40,690 |

95°F Ambient

| | | | | | | | | | |
|-------------|---------|---------|---------|--------|--------|--------|--------|--------|--------|
| R*BS03L4S** | 4FES-3 | 22,680 | 19,620 | 14,560 | 12,250 | 10,260 | 8,520 | 6,960 | 5,480 |
| R*BS04L4S** | 4EES-4 | 28,690 | 24,830 | 18,210 | 15,360 | 12,840 | 10,560 | 8,520 | 6,590 |
| R*BS05L4S** | 4DES-5 | 33,030 | 28,600 | 20,950 | 17,710 | 14,760 | 12,160 | 9,820 | 7,730 |
| R*BS06L4S** | 4CES-6 | 40,300 | 35,110 | 26,100 | 22,210 | 18,750 | 15,590 | 12,740 | 10,260 |
| R*BS08L4S** | 4TES-9 | 52,970 | 45,820 | 33,420 | 28,100 | 23,400 | 19,050 | 15,140 | 11,590 |
| R*BS09L4S** | 4PES-12 | 58,060 | 50,000 | 35,980 | 30,020 | 24,610 | 19,730 | 15,310 | 11,300 |
| R*BS10L4S** | 4NES-14 | 68,640 | 59,470 | 43,530 | 36,590 | 30,430 | 24,820 | 19,750 | 14,670 |
| R*BS12L4S** | 4JE-15 | 78,650 | 69,500 | 52,780 | 45,090 | 37,940 | 31,280 | 25,220 | 19,140 |
| R*BS15L4S** | 4HE-18 | 90,080 | 80,990 | 63,290 | 55,170 | 47,480 | 40,340 | 33,710 | 27,590 |
| R*BS22L4S** | 4GE-23 | 116,760 | 103,560 | 78,430 | 67,830 | 58,500 | 50,500 | 43,880 | 38,690 |

100°F Ambient

| | | | | | | | | | |
|-------------|---------|---------|--------|--------|--------|--------|--------|--------|--------|
| R*BS03L4S** | 4FES-3 | 21,510 | 18,610 | 13,600 | 11,460 | 9,550 | 7,890 | 6,390 | - |
| R*BS04L4S** | 4EES-4 | 27,150 | 23,410 | 17,070 | 14,340 | 11,890 | 9,760 | 7,840 | - |
| R*BS05L4S** | 4DES-5 | 31,190 | 26,990 | 19,610 | 16,520 | 13,680 | 11,210 | 8,980 | - |
| R*BS06L4S** | 4CES-6 | 38,200 | 33,190 | 24,530 | 20,810 | 17,500 | 14,480 | 11,800 | - |
| R*BS08L4S** | 4TES-9 | 50,050 | 43,190 | 31,300 | 26,190 | 21,700 | 17,590 | 13,820 | 10,430 |
| R*BS09L4S** | 4PES-12 | 54,670 | 46,920 | 33,470 | 27,780 | 22,620 | 17,990 | 13,760 | 9,940 |
| R*BS10L4S** | 4NES-14 | 64,820 | 56,010 | 40,700 | 34,050 | 28,170 | 22,840 | 18,020 | 13,210 |
| R*BS12L4S** | 4JE-15 | 74,840 | 66,000 | 49,770 | 42,290 | 35,280 | 28,940 | 22,960 | 16,970 |
| R*BS15L4S** | 4HE-18 | 86,120 | 77,310 | 60,200 | 52,320 | 44,880 | 37,920 | 31,460 | 25,460 |
| R*BS22L4S** | 4GE-23 | 111,460 | 98,690 | 74,390 | 64,170 | 55,240 | 47,630 | 41,390 | 36,570 |

110°F Ambient

| | | | | | | | | | |
|-------------|---------|---------|--------|--------|--------|--------|--------|--------|--------|
| R*BS03L4S** | 4FES-3 | 19,240 | 16,480 | 11,860 | 9,900 | 8,170 | - | - | - |
| R*BS04L4S** | 4EES-4 | 24,080 | 20,660 | 14,780 | 12,330 | 10,130 | - | - | - |
| R*BS05L4S** | 4DES-5 | 27,700 | 23,760 | 16,990 | 14,130 | 11,620 | - | - | - |
| R*BS06L4S** | 4CES-6 | 34,020 | 29,470 | 21,460 | 18,050 | 14,990 | - | - | - |
| R*BS08L4S** | 4TES-9 | 44,340 | 38,030 | 27,120 | 22,540 | 18,410 | 14,670 | 11,300 | 8,250 |
| R*BS09L4S** | 4PES-12 | 47,980 | 40,850 | 28,550 | 23,390 | 18,730 | 14,500 | 10,750 | 7,340 |
| R*BS10L4S** | 4NES-14 | 57,300 | 49,170 | 35,130 | 29,090 | 23,750 | 18,960 | 14,620 | 10,280 |
| R*BS12L4S** | 4JE-15 | 67,060 | 58,770 | 43,470 | 36,410 | 29,950 | 23,740 | 18,060 | 12,290 |
| R*BS15L4S** | 4HE-18 | 78,050 | 69,870 | 53,900 | 46,520 | 39,530 | 32,920 | 26,760 | 21,010 |
| R*BS22L4S** | 4GE-23 | 100,770 | 88,800 | 66,100 | 56,600 | 48,420 | 41,580 | 36,040 | 31,900 |

* Each asterisk represents a variable character based upon model, voltage, and vintage ordered. See page 4 for nomenclature.

These condensing units include liquid injection.

‡ Multiply capacity by .83 when used with 50 Hz power.

3TO 22 HP

Capacity Data (BTUH) - Low Temperature R407F Bitzer - 60 Hz[‡]

SUCTION TEMPERATURE

| MODEL | COMP. MODEL | 0°F | -5°F | -15°F | -20°F | -25°F | -30°F | -35°F | -40°F |
|-------|-------------|-----|------|-------|-------|-------|-------|-------|-------|
|-------|-------------|-----|------|-------|-------|-------|-------|-------|-------|

90°F Ambient

| | | | | | | | | | |
|-------------|---------|---------|---------|--------|--------|--------|--------|--------|--------|
| R*BS03L4S** | 4FES-3 | 24,890 | 21,620 | 16,000 | 13,540 | 11,340 | 9,420 | 7,690 | 6,070 |
| R*BS04L4S** | 4EES-4 | 32,280 | 28,020 | 20,700 | 17,590 | 14,740 | 12,250 | 9,990 | 7,740 |
| R*BS05L4S** | 4DES-5 | 37,200 | 32,310 | 23,920 | 20,270 | 17,030 | 14,120 | 11,510 | 9,160 |
| R*BS06L4S** | 4CES-6 | 45,220 | 39,520 | 29,580 | 25,300 | 21,410 | 17,940 | 14,810 | 12,000 |
| R*BS08L4S** | 4TES-9 | 58,740 | 50,950 | 37,340 | 31,440 | 26,190 | 21,330 | 16,920 | 12,870 |
| R*BS09L4S** | 4PES-12 | 64,980 | 56,170 | 40,710 | 34,080 | 28,000 | 22,480 | 17,480 | 12,880 |
| R*BS10L4S** | 4NES-14 | 76,880 | 66,860 | 49,230 | 41,480 | 34,550 | 28,200 | 22,350 | 16,510 |
| R*BS12L4S** | 4JE-15 | 89,420 | 79,400 | 61,100 | 52,770 | 45,090 | 38,060 | 31,810 | 25,670 |
| R*BS15L4S** | 4HE-18 | 102,860 | 92,270 | 72,840 | 63,990 | 55,760 | 48,200 | 41,380 | 35,350 |
| R*BS22L4S** | 4GE-23 | 132,580 | 116,660 | 88,860 | 77,100 | 66,790 | 58,030 | 50,890 | 45,530 |

95°F Ambient

| | | | | | | | | | |
|-------------|---------|---------|---------|--------|--------|--------|--------|--------|--------|
| R*BS03L4S** | 4FES-3 | 23,740 | 20,500 | 15,130 | 12,690 | 10,580 | 8,740 | 7,090 | 5,540 |
| R*BS04L4S** | 4EES-4 | 30,680 | 26,580 | 19,530 | 16,490 | 13,810 | 11,380 | 9,220 | 7,160 |
| R*BS05L4S** | 4DES-5 | 35,340 | 30,620 | 22,480 | 19,030 | 15,890 | 13,120 | 10,630 | 8,410 |
| R*BS06L4S** | 4CES-6 | 43,070 | 37,550 | 27,960 | 23,810 | 20,130 | 16,770 | 13,740 | 11,100 |
| R*BS08L4S** | 4TES-9 | 55,750 | 48,220 | 35,060 | 29,370 | 24,310 | 19,580 | 15,300 | 11,360 |
| R*BS09L4S** | 4PES-12 | 61,470 | 52,940 | 38,020 | 31,610 | 25,760 | 20,440 | 15,560 | 12,090 |
| R*BS10L4S** | 4NES-14 | 72,960 | 63,230 | 46,190 | 38,710 | 32,020 | 25,870 | 20,250 | 14,610 |
| R*BS12L4S** | 4JE-15 | 85,780 | 76,000 | 58,180 | 50,020 | 42,480 | 35,510 | 29,270 | 23,080 |
| R*BS15L4S** | 4HE-18 | 98,380 | 88,670 | 69,800 | 61,210 | 53,120 | 45,700 | 38,940 | 32,920 |
| R*BS22L4S** | 4GE-23 | 126,160 | 111,880 | 84,760 | 73,380 | 63,420 | 54,950 | 48,080 | 42,950 |

100°F Ambient

| | | | | | | | | | |
|-------------|---------|---------|---------|--------|--------|--------|--------|--------|--------|
| R*BS03L4S** | 4FES-3 | 22,540 | 19,450 | 14,130 | 11,860 | 9,830 | 8,070 | 6,490 | 5,020 |
| R*BS04L4S** | 4EES-4 | 29,110 | 25,120 | 18,350 | 15,440 | 12,820 | 10,550 | 8,510 | 6,580 |
| R*BS05L4S** | 4DES-5 | 33,460 | 28,980 | 21,100 | 17,800 | 14,760 | 12,130 | 9,750 | 7,670 |
| R*BS06L4S** | 4CES-6 | 40,930 | 35,590 | 26,340 | 22,370 | 18,830 | 15,610 | 12,750 | 10,230 |
| R*BS08L4S** | 4TES-9 | 52,730 | 45,480 | 32,810 | 27,300 | 22,410 | 17,880 | 13,680 | 9,840 |
| R*BS09L4S** | 4PES-12 | 57,950 | 49,730 | 35,340 | 29,180 | 23,540 | 18,410 | 14,260 | 10,230 |
| R*BS10L4S** | 4NES-14 | 68,990 | 59,620 | 43,170 | 35,940 | 29,480 | 23,550 | 18,110 | 12,670 |
| R*BS12L4S** | 4JE-15 | 81,960 | 72,490 | 55,140 | 47,150 | 39,690 | 32,990 | 26,720 | 20,480 |
| R*BS15L4S** | 4HE-18 | 94,420 | 84,990 | 66,700 | 58,300 | 50,420 | 43,100 | 36,400 | 30,370 |
| R*BS22L4S** | 4GE-23 | 120,700 | 106,860 | 80,550 | 69,510 | 59,900 | 51,750 | 45,160 | 40,220 |

110°F Ambient

| | | | | | | | | | |
|-------------|---------|---------|--------|--------|--------|--------|--------|--------|--------|
| R*BS03L4S** | 4FES-3 | 20,180 | 17,240 | 12,300 | 10,220 | 8,380 | 6,770 | - | - |
| R*BS04L4S** | 4EES-4 | 25,970 | 22,300 | 15,980 | 13,350 | 10,990 | 8,900 | - | - |
| R*BS05L4S** | 4DES-5 | 29,890 | 25,660 | 18,380 | 15,310 | 12,610 | 10,190 | - | - |
| R*BS06L4S** | 4CES-6 | 36,660 | 31,770 | 23,170 | 19,500 | 16,210 | 13,330 | - | - |
| R*BS08L4S** | 4TES-9 | 46,810 | 40,100 | 28,320 | 23,280 | 18,670 | 14,420 | 10,500 | 6,880 |
| R*BS09L4S** | 4PES-12 | 50,980 | 43,370 | 30,050 | 24,350 | 19,120 | 14,290 | 11,200 | 7,060 |
| R*BS10L4S** | 4NES-14 | 61,150 | 52,440 | 37,160 | 30,460 | 24,440 | 18,920 | 13,810 | 8,690 |
| R*BS12L4S** | 4JE-15 | 74,010 | 65,120 | 48,640 | 41,000 | 34,010 | 27,280 | 21,120 | 14,840 |
| R*BS15L4S** | 4HE-18 | 86,180 | 77,420 | 60,250 | 52,290 | 44,760 | 37,650 | 31,050 | 24,990 |
| R*BS22L4S** | 4GE-23 | 109,480 | 96,490 | 71,770 | 61,390 | 52,440 | 44,940 | 38,840 | 34,240 |

* Each asterisk represents a variable character based upon model, voltage, and vintage ordered. See page 4 for nomenclature.

These condensing units include liquid injection.

Low Temperature Bitzer compressors are not available for use with R407C.

‡ Multiply capacity by .83 when used with 50 Hz power.

AIR COOLED CONDENSING UNITS

Capacity Data (BTUH) - Low Temperature R448/449A Bitzer - 60 Hz[‡]

SUCTION TEMPERATURE

| MODEL | COMP. MODEL | 0°F | -5°F | -15°F | -20°F | -25°F | -30°F | -35°F | -40°F |
|-------|-------------|-----|------|-------|-------|-------|-------|-------|-------|
|-------|-------------|-----|------|-------|-------|-------|-------|-------|-------|

90°F Ambient

| | | | | | | | | | |
|-------------|---------|---------|---------|--------|--------|--------|--------|--------|---|
| R*BS03L4S** | 4FES-3 | 24,310 | 21,190 | 15,810 | 13,440 | 11,330 | 9,470 | 7,800 | – |
| R*BS04L4S** | 4EES-4 | 31,540 | 27,460 | 20,460 | 17,480 | 14,740 | 12,330 | 10,150 | – |
| R*BS05L4S** | 4DES-5 | 36,360 | 31,680 | 23,660 | 20,150 | 17,030 | 14,230 | 11,700 | – |
| R*BS06L4S** | 4CES-6 | 44,140 | 38,700 | 29,190 | 25,090 | 21,350 | 18,000 | 14,970 | – |
| R*BS08L4S** | 4TES-9 | 57,600 | 50,080 | 37,050 | 31,460 | 26,530 | 22,000 | 17,940 | – |
| R*BS09L4S** | 4PES-12 | 63,470 | 55,000 | 40,280 | 34,040 | 28,380 | 23,290 | 18,750 | – |
| R*BS10L4S** | 4NES-14 | 75,410 | 65,810 | 49,040 | 41,750 | 35,300 | 29,440 | 24,100 | – |
| R*BS12L4S** | 4JE-15 | 89,450 | 80,110 | 63,000 | 55,200 | 48,020 | 41,490 | 35,780 | – |
| R*BS15L4S** | 4HE-18 | 101,710 | 91,940 | 74,020 | 65,870 | 58,320 | 51,440 | 45,370 | – |
| R*BS22L4S** | 4GE-23 | 130,440 | 115,700 | 89,950 | 79,100 | 69,670 | 61,820 | 55,720 | – |

95°F Ambient

| | | | | | | | | | |
|-------------|---------|---------|---------|--------|--------|--------|--------|--------|---|
| R*BS03L4S** | 4FES-3 | 23,160 | 20,060 | 14,940 | 12,590 | 10,570 | 8,790 | 7,200 | – |
| R*BS04L4S** | 4EES-4 | 29,930 | 26,020 | 19,290 | 16,380 | 13,800 | 11,460 | 9,370 | – |
| R*BS05L4S** | 4DES-5 | 34,490 | 29,990 | 22,210 | 18,910 | 15,890 | 13,220 | 10,820 | – |
| R*BS06L4S** | 4CES-6 | 41,970 | 36,710 | 27,560 | 23,590 | 20,050 | 16,810 | 13,890 | – |
| R*BS08L4S** | 4TES-9 | 54,620 | 47,370 | 34,830 | 29,480 | 24,760 | 20,410 | 16,510 | – |
| R*BS09L4S** | 4PES-12 | 59,970 | 51,800 | 37,650 | 31,670 | 26,270 | 21,420 | 17,050 | – |
| R*BS10L4S** | 4NES-14 | 71,530 | 62,220 | 46,080 | 39,080 | 32,890 | 27,270 | 22,220 | – |
| R*BS12L4S** | 4JE-15 | 85,880 | 76,740 | 60,090 | 52,450 | 45,400 | 38,920 | 33,210 | – |
| R*BS15L4S** | 4HE-18 | 97,290 | 88,380 | 71,020 | 63,130 | 55,730 | 49,010 | 43,030 | – |
| R*BS22L4S** | 4GE-23 | 124,110 | 110,990 | 85,950 | 75,500 | 66,440 | 58,930 | 53,190 | – |

100°F Ambient

| | | | | | | | | | |
|-------------|---------|---------|--------|--------|--------|--------|--------|--------|---|
| R*BS03L4S** | 4FES-3 | 21,510 | 18,610 | 13,600 | 11,460 | 9,550 | 7,890 | 6,390 | – |
| R*BS04L4S** | 4EES-4 | 27,150 | 23,410 | 17,070 | 14,340 | 11,890 | 9,760 | 7,840 | – |
| R*BS05L4S** | 4DES-5 | 31,190 | 26,990 | 19,610 | 16,520 | 13,680 | 11,210 | 8,980 | – |
| R*BS06L4S** | 4CES-6 | 38,200 | 33,190 | 24,530 | 20,810 | 17,500 | 14,480 | 11,800 | – |
| R*BS08L4S** | 4TES-9 | 50,050 | 43,190 | 31,300 | 26,190 | 21,700 | 17,590 | 13,820 | – |
| R*BS09L4S** | 4PES-12 | 54,670 | 46,920 | 33,470 | 27,780 | 22,620 | 17,990 | 13,950 | – |
| R*BS10L4S** | 4NES-14 | 64,820 | 56,010 | 40,700 | 34,050 | 28,170 | 22,840 | 18,020 | – |
| R*BS12L4S** | 4JE-15 | 74,840 | 66,000 | 49,770 | 42,290 | 35,280 | 28,940 | 22,960 | – |
| R*BS15L4S** | 4HE-18 | 86,120 | 77,310 | 60,200 | 52,320 | 44,880 | 37,920 | 31,460 | – |
| R*BS22L4S** | 4GE-23 | 111,460 | 98,690 | 74,390 | 64,170 | 55,240 | 47,630 | 41,390 | – |

110°F Ambient

| | | | | | | | | | |
|-------------|---------|---------|--------|--------|--------|--------|--------|---|---|
| R*BS03L4S** | 4FES-3 | 19,580 | 16,790 | 12,110 | 10,120 | 8,360 | 6,820 | – | – |
| R*BS04L4S** | 4EES-4 | 25,210 | 21,740 | 15,740 | 13,230 | 10,980 | 8,970 | – | – |
| R*BS05L4S** | 4DES-5 | 29,030 | 25,020 | 18,120 | 15,190 | 12,610 | 10,290 | – | – |
| R*BS06L4S** | 4CES-6 | 35,520 | 30,910 | 22,740 | 19,250 | 16,120 | 13,350 | – | – |
| R*BS08L4S** | 4TES-9 | 45,740 | 39,350 | 28,310 | 23,680 | 19,500 | 15,720 | – | – |
| R*BS09L4S** | 4PES-12 | 49,470 | 42,270 | 29,890 | 24,720 | 20,060 | 15,850 | – | – |
| R*BS10L4S** | 4NES-14 | 59,600 | 51,350 | 37,140 | 31,030 | 25,640 | 20,820 | – | – |
| R*BS12L4S** | 4JE-15 | 74,240 | 65,900 | 50,410 | 43,220 | 36,650 | 30,310 | – | – |
| R*BS15L4S** | 4HE-18 | 85,140 | 77,140 | 61,410 | 54,160 | 47,320 | 40,930 | – | – |
| R*BS22L4S** | 4GE-23 | 107,520 | 95,690 | 73,080 | 63,670 | 55,690 | 49,240 | – | – |

* Each asterisk represents a variable character based upon model, voltage, and vintage ordered. See page 4 for nomenclature.

These condensing units include liquid injection.

‡ Multiply capacity by .83 when used with 50 Hz power.

3 TO 22 HP

Electrical Data - Discus

| BASE MODEL NUMBER | COMPRESSOR MODEL | RLA | LRA | COND. FAN FLA | AIR DEFROST† | | ELECTRIC DEFROST† | | | EVAP. FAN AMPS† |
|---|------------------|------|-------|---------------|--------------|------|-------------------|------|---------------|-----------------|
| | | | | | MCA | MOPD | MCA | MOPD | DEFROST AMPS† | |
| 208-230V/3/60 Hz, 200-220V/3/50 Hz | | | | | | | | | | |
| R*DS04M4S** | 2DC3R53KE | 20.0 | 120.0 | 3.8 | 29.7 | 45 | 51.0 | 60 | 40.0 | 15.0 |
| R*DS05M4S** | 2DD3R63KE | 20.0 | 120.0 | 3.8 | 29.7 | 45 | 51.0 | 60 | 40.0 | 15.0 |
| R*DS06M4S** | 2DL3R78KE | 28.3 | 169.0 | 7.5 | 43.8 | 70 | 63.8 | 90 | 48.0 | 20.0 |
| R*DS07M4S** | 2DA3R89KE | 28.7 | 169.0 | 7.5 | 44.3 | 70 | 64.3 | 90 | 48.0 | 20.0 |
| R*DS08M4S** | 3DA3R10ME | 36.8 | 215.0 | 7.5 | 54.5 | 90 | 76.0 | 110 | 60.0 | 20.0 |
| R*DS10M4S** | 3DB3R12ME | 39.1 | 215.0 | 7.5 | 57.3 | 90 | 77.3 | 110 | 60.0 | 20.0 |
| R*DS12M4S** | 3DF3R15ME | 43.2 | 275.0 | 7.5 | 62.5 | 100 | 82.5 | 125 | 60.0 | 20.0 |
| R*DS15M4S** | 3DS3R17ME | 53.5 | 275.0 | 7.5 | 75.3 | 125 | 95.3 | 125 | 60.0 | 20.0 |
| R*DS03L4S** | 2DF3F16KE | 14.4 | 102.0 | 3.8 | – | – | 44.7 | 45 | 35.0 | 12.0 |
| R*DS04L4S** | 2DL3F20KE | 23.6 | 161.0 | 3.8 | – | – | 61.0 | 70 | 48.0 | 20.0 |
| R*DS05L4S** | 2DA3F23KE | 25.8 | 161.0 | 3.8 | – | – | 61.0 | 80 | 48.0 | 20.0 |
| R*DS06L4S** | 3DA3F28KE | 24.0 | 150.0 | 7.5 | – | – | 61.0 | 80 | 48.0 | 20.0 |
| R*DS08L4S** | 3DB3F33KE | 27.6 | 161.0 | 7.5 | – | – | 76.0 | 90 | 60.0 | 20.0 |
| R*DS09L4S** | 3DF3F40KE | 33.2 | 215.0 | 7.5 | – | – | 76.0 | 100 | 60.0 | 20.0 |
| R*DS10L4S** | 3DS3F46KE | 37.2 | 215.0 | 7.5 | – | – | 76.0 | 110 | 60.0 | 20.0 |
| R*DS12L4S** | 4DBNF54KE | 46.0 | 220.0 | 7.5 | – | – | 86.0 | 125 | 60.0 | 20.0 |
| R*DS15L4S** | 4DHNF63KE | 47.2 | 278.0 | 7.5 | – | – | 87.5 | 125 | 60.0 | 20.0 |
| R*DS22L4S** | 4DJNF76KE | 57.7 | 374.0 | 7.5 | – | – | 121.0 | 150 | 96.0 | 25.0 |

460V/3/60 Hz, 380V/3/50 Hz

| | | | | | | | | | | |
|-------------|-----------|------|-------|-----|------|----|------|----|------|------|
| R*DS04M4S** | 2DC3R53KE | 9.4 | 60.0 | 1.9 | 14.6 | 20 | 20.6 | 25 | 15.0 | 6.0 |
| R*DS05M4S** | 2DD3R63KE | 9.4 | 60.0 | 1.9 | 14.6 | 20 | 20.6 | 25 | 15.0 | 6.0 |
| R*DS06M4S** | 2DL3R78KE | 12.4 | 85.0 | 3.7 | 20.2 | 30 | 31.0 | 35 | 24.0 | 6.0 |
| R*DS07M4S** | 2DA3R89KE | 12.6 | 85.0 | 3.7 | 20.4 | 30 | 31.0 | 35 | 24.0 | 6.0 |
| R*DS08M4S** | 3DA3R10ME | 17.9 | 106.0 | 3.7 | 27.0 | 40 | 44.7 | 50 | 35.0 | 9.0 |
| R*DS10M4S** | 3DB3R12ME | 17.9 | 106.0 | 3.7 | 27.0 | 40 | 44.7 | 50 | 35.0 | 9.0 |
| R*DS12M4S** | 3DF3R15ME | 21.2 | 138.0 | 3.7 | 31.2 | 50 | 44.7 | 60 | 35.0 | 9.0 |
| R*DS15M4S** | 3DS3R17ME | 26.0 | 138.0 | 3.7 | 37.2 | 60 | 61.0 | 70 | 48.0 | 10.0 |
| R*DS03L4S** | 2DF3F16KE | 7.1 | 52.0 | 1.9 | – | – | 19.7 | 20 | 15.0 | 6.0 |
| R*DS04L4S** | 2DL3F20KE | 9.2 | 60.0 | 1.9 | – | – | 20.3 | 25 | 15.0 | 6.0 |
| R*DS05L4S** | 2DA3F23KE | 9.2 | 60.0 | 1.9 | – | – | 20.3 | 25 | 15.0 | 6.0 |
| R*DS06L4S** | 3DA3F28KE | 10.8 | 77.0 | 3.7 | – | – | 26.0 | 30 | 20.0 | 6.0 |
| R*DS08L4S** | 3DB3F33KE | 14.1 | 83.0 | 3.7 | – | – | 38.5 | 40 | 30.0 | 6.0 |
| R*DS09L4S** | 3DF3F40KE | 15.0 | 106.0 | 3.7 | – | – | 44.7 | 45 | 35.0 | 9.0 |
| R*DS10L4S** | 3DS3F46KE | 16.7 | 106.0 | 3.7 | – | – | 44.7 | 50 | 35.0 | 9.0 |
| R*DS12L4S** | 4DBNF54KE | 23.0 | 110.0 | 3.7 | – | – | 51.0 | 60 | 40.0 | 10.0 |
| R*DS15L4S** | 4DHNF63KE | 23.6 | 139.0 | 3.7 | – | – | 51.0 | 60 | 40.0 | 10.0 |
| R*DS22L4S** | 4DJNF76KE | 28.8 | 187.0 | 3.7 | – | – | 61.0 | 70 | 48.0 | 10.0 |

* Each asterisk represents a variable character based upon model, voltage, and vintage ordered. See page 4 for nomenclature.

RLA = Rated Load Amps LRA = Locked Rotor Amps

MCA = Minimum Circuit Ampacity MOPD = Maximum Overcurrent Protection

MCA includes 1 amp allowance for control circuit requirement.

‡ R*DS12M4S is not available for 575V/3/60 power.

† Notes:

- Air Defrost values do not include evaporator fan electrical load.
- Electric Defrost MCA and MOPD columns provide a representative rating point for a typical electric defrost application. Contact Application Engineering to verify MCA and MOPD values when the applied electric defrost amp load exceeds the listed Defrost Amps shown in the above table.

AIR COOLED CONDENSING UNITS

Electrical Data - Discus

| BASE MODEL NUMBER | COMPRESSOR MODEL | RLA | LRA | COND. FAN FLA | AIR DEFROST† | | ELECTRIC DEFROST† | | | EVAP. FAN AMPS† |
|----------------------|------------------|------|-------|---------------|--------------|------|-------------------|------|---------------|-----------------|
| | | | | | MCA | MOPD | MCA | MOPD | DEFROST AMPS† | |
| 575V/3/60 Hz‡ | | | | | | | | | | |
| R*DS04M4S** | 2DC3R53KE | 6.9 | 49.0 | 1.9 | 11.4 | 15 | 19.7 | 20 | 15.0 | 6.0 |
| R*DS05M4S** | 2DD3R63KE | 7.1 | 49.0 | 1.9 | 11.7 | 15 | 19.7 | 20 | 15.0 | 6.0 |
| R*DS06M4S** | 2DL3R78KE | 11.9 | 67.0 | 3.7 | 19.5 | 30 | 26.0 | 35 | 20.0 | 6.0 |
| R*DS07M4S** | 2DA3R89KE | 11.9 | 67.0 | 3.7 | 19.5 | 30 | 26.0 | 35 | 20.0 | 6.0 |
| R*DS08M4S** | 3DA3R10ME | 14.7 | 84.0 | 3.7 | 23.0 | 35 | 38.5 | 40 | 30.0 | 6.0 |
| R*DS10M4S** | 3DB3R12ME | 14.8 | 84.0 | 3.7 | 23.2 | 35 | 38.5 | 40 | 30.0 | 6.0 |
| R*DS15M4S** | 3DS3R17ME | 21.2 | 110.0 | 3.7 | 31.2 | 50 | 44.7 | 60 | 35.0 | 8.0 |
| R*DS03L4S** | 2DF3F16KE | 6.0 | 41.0 | 1.9 | – | – | 19.7 | 20 | 15.0 | 6.0 |
| R*DS04L4S** | 2DL3F20KE | 6.9 | 49.0 | 1.9 | – | – | 19.7 | 20 | 15.0 | 6.0 |
| R*DS05L4S** | 2DA3F23KE | 8.1 | 49.0 | 1.9 | – | – | 19.7 | 25 | 15.0 | 6.0 |
| R*DS06L4S** | 3DA3F28KE | 9.4 | 62.0 | 3.7 | – | – | 26.0 | 30 | 20.0 | 6.0 |
| R*DS08L4S** | 3DB3F33KE | 9.9 | 67.0 | 3.7 | – | – | 31.0 | 35 | 24.0 | 6.0 |
| R*DS09L4S** | 3DF3F40KE | 14.1 | 84.0 | 3.7 | – | – | 38.5 | 40 | 30.0 | 6.0 |
| R*DS10L4S** | 3DS3F46KE | 14.6 | 84.0 | 3.7 | – | – | 38.5 | 40 | 30.0 | 6.0 |
| R*DS12L4S** | 4DBNF54KE | 15.8 | 106.0 | 3.7 | – | – | 38.5 | 45 | 30.0 | 6.0 |
| R*DS15L4S** | 4DHNF63KE | 18.8 | 113.0 | 3.7 | – | – | 44.7 | 50 | 35.0 | 8.0 |
| R*DS22L4S** | 4DJNF76KE | 26.1 | 135.0 | 3.7 | – | – | 45.3 | 70 | 35.0 | 8.0 |

* Each asterisk represents a variable character based upon model, voltage, and vintage ordered. See page 4 for nomenclature.

RLA = Rated Load Amps LRA = Locked Rotor Amps

MCA = Minimum Circuit Ampacity MOPD = Maximum Overcurrent Protection

MCA includes 1 amp allowance for control circuit requirement.

‡ R*DS12M4S is not available for 575V/3/60 power.

† Notes:

1. Air Defrost values do not include evaporator fan electrical load.
2. The electric defrost MCA, MOPD and EVAP FAN AMP columns provide representative rating points for a typical electric defrost application. Contact Application Engineering to recalculate MCA and MOPD values if the actual electric defrost load exceeds the defrost or fan amp values shown in the table above.

TYPICAL APPLICATIONS:



Small to Medium Warehouses



Industrial and Pharmaceuticals



Walk-in Coolers and Freezers

3TO 22 HP

Electrical Data - Scroll

| BASE MODEL NUMBER | COMPRESSOR MODEL | RLA | LRA | COND. FAN FLA | AIR DEFROST† | | ELECTRIC DEFROST† | | | EVAP. FAN AMPS† |
|---|------------------|------|-------|---------------|--------------|------|-------------------|------|---------------|-----------------|
| | | | | | MCA | MOPD | MCA | MOPD | DEFROST AMPS† | |
| 208-230V/3/60 Hz, 200-220V/3/50 Hz | | | | | | | | | | |
| R*OS04E4S** | ZS29KAE | 18.4 | 114.0 | 3.8 | 27.7 | 45 | 44.7 | 50 | 35.0 | 12.0 |
| R*OS05E4S** | ZS33KAE | 20.0 | 114.0 | 3.8 | 29.7 | 45 | 44.7 | 60 | 35.0 | 12.0 |
| R*OS06E4S** | ZS38K4E | 19.2 | 123.0 | 3.8 | 28.7 | 45 | 51.0 | 60 | 40.0 | 15.0 |
| R*OS07E4S** | ZS45K4E | 21.5 | 156.0 | 7.5 | 35.3 | 50 | 61.0 | 70 | 48.0 | 20.0 |
| R*OS08E4S** | ZB58K5E | 30.8 | 195.0 | 7.5 | 47.0 | 70 | 67.0 | 90 | 48.0 | 20.0 |
| R*OS09E4S** | ZB66K5E | 35.3 | 225.0 | 7.5 | 52.6 | 80 | 76.0 | 100 | 60.0 | 20.0 |
| R*OS10E4S** | ZB76K5E | 38.6 | 239.0 | 7.5 | 56.7 | 90 | 76.7 | 110 | 60.0 | 20.0 |
| R*OS13E4S** | ZB95K5E | 47.4 | 298.0 | 7.5 | 67.7 | 110 | 87.7 | 125 | 60.0 | 20.0 |
| R*OS15E4S** | ZB114K5E | 56.5 | 321.0 | 7.5 | 79.1 | 125 | 99.1 | 150 | 60.0 | 20.0 |
| R*OS08L4S** | ZF25K4E | 24.0 | 224.0 | 3.8 | – | – | 61.0 | 70 | 48.0 | 20.0 |
| R*OS10L4S** | ZF34K5E | 33.3 | 239.0 | 7.5 | – | – | 76.0 | 100 | 50.0 | 20.0 |
| R*OS13L4S** | ZF41K5E | 37.8 | 248.0 | 7.5 | – | – | 76.0 | 110 | 60.0 | 20.0 |
| R*OS15L4S** | ZF49K5E | 45.5 | 338.7 | 7.5 | – | – | 85.3 | 125 | 60.0 | 20.0 |
| 460V/3/60 Hz, 380V/3/50 Hz | | | | | | | | | | |
| R*OS04E4S** | ZS29KAE | 8.4 | 58.0 | 1.9 | 13.3 | 20 | 19.7 | 25 | 15.0 | 6.0 |
| R*OS05E4S** | ZS33KAE | 9.0 | 52.0 | 1.9 | 14.1 | 20 | 20.1 | 25 | 15.0 | 6.0 |
| R*OS06E4S** | ZS38K4E | 8.7 | 62.0 | 1.9 | 13.7 | 20 | 19.7 | 25 | 15.0 | 6.0 |
| R*OS07E4S** | ZS45K4E | 8.3 | 75.0 | 3.7 | 15.0 | 20 | 21.0 | 25 | 15.0 | 6.0 |
| R*OS08E4S** | ZB58K5E | 16.0 | 95.0 | 3.7 | 24.7 | 40 | 31.0 | 45 | 24.0 | 6.0 |
| R*OS09E4S** | ZB66K5E | 15.4 | 114.0 | 3.7 | 23.9 | 35 | 31.0 | 45 | 24.0 | 6.0 |
| R*OS10E4S** | ZB76K5E | 18.6 | 125.0 | 3.7 | 27.9 | 45 | 38.5 | 50 | 30.0 | 6.0 |
| R*OS13E4S** | ZB95K5E | 21.8 | 150.0 | 3.7 | 31.9 | 50 | 51.0 | 60 | 40.0 | 10.0 |
| R*OS15E4S** | ZB114K5E | 24.4 | 179.0 | 3.7 | 35.2 | 50 | 51.0 | 60 | 40.0 | 10.0 |
| R*OS08L4S** | ZF25K4E | 10.6 | 99.0 | 1.9 | – | – | 26.0 | 30 | 20.0 | 6.0 |
| R*OS10L4S** | ZF34K5E | 16.0 | 100.0 | 3.7 | – | – | 38.5 | 45 | 30.0 | 6.0 |
| R*OS13L4S** | ZF41K5E | 17.3 | 125.0 | 3.7 | – | – | 44.7 | 50 | 35.0 | 9.0 |
| R*OS15L4S** | ZF49K5E | 18.1 | 139.0 | 3.7 | – | – | 44.7 | 50 | 35.0 | 9.0 |
| 575V/3/60 Hz | | | | | | | | | | |
| R*OS04E4S** | ZS29KAE | 5.2 | 43.0 | 1.9 | 9.3 | 10 | 19.7 | 20 | 15.0 | 6.0 |
| R*OS05E4S** | ZS33KAE | 6.2 | 39.5 | 1.9 | 10.6 | 15 | 19.7 | 20 | 15.0 | 6.0 |
| R*OS06E4S** | ZS38K4E | 7.1 | 50.0 | 1.9 | 11.7 | 15 | 19.7 | 20 | 15.0 | 6.0 |
| R*OS07E4S** | ZS45K4E | 7.1 | 54.0 | 3.7 | 13.5 | 20 | 19.7 | 25 | 15.0 | 6.0 |
| R*OS08E4S** | ZB58K5E | 12.2 | 80.0 | 3.7 | 19.9 | 30 | 31.0 | 35 | 24.0 | 6.0 |
| R*OS09E4S** | ZB66K5E | 12.8 | 80.0 | 3.7 | 20.7 | 30 | 31.0 | 35 | 24.0 | 6.0 |
| R*OS10E4S** | ZB76K5E | 13.1 | 80.0 | 3.7 | 21.0 | 30 | 31.0 | 40 | 24.0 | 6.0 |
| R*OS13E4S** | ZB95K5E | 18.7 | 123.0 | 3.7 | 28.0 | 45 | 44.7 | 50 | 35.0 | 8.0 |
| R*OS15E4S** | ZB114K5E | 20.1 | 132.0 | 3.7 | 29.8 | 45 | 44.7 | 50 | 35.0 | 8.0 |
| R*OS08L4S** | ZF25K4E | 8.1 | 82.4 | 1.9 | – | – | 19.7 | 25 | 15.0 | 6.0 |
| R*OS10L4S** | ZF34K5E | 12.8 | 100.0 | 3.7 | – | – | 26.7 | 35 | 20.0 | 6.0 |
| R*OS13L4S** | ZF41K5E | 14.0 | 100.0 | 3.7 | – | – | 31.0 | 40 | 24.0 | 6.0 |
| R*OS15L4S** | ZF49K5E | 16.4 | 123.0 | 3.7 | – | – | 38.5 | 45 | 30.0 | 6.0 |

* Each asterisk represents a variable character based upon model, voltage, and vintage ordered. See page 4 for nomenclature.

RLA = Rated Load Amps LRA = Locked Rotor Amps

MCA = Minimum Circuit Ampacity MOPD = Maximum Overcurrent Protection

MCA includes 1 amp allowance for control circuit requirement.

† Notes:

1. Air Defrost values do not include evaporator fan electrical load.

2. The electric defrost MCA, MOPD and EVAP FAN AMP columns provide representative rating points for a typical electric defrost application. Contact Application Engineering to recalculate MCA and MOPD values if the actual electric defrost load exceeds the defrost or fan amp values shown in the table above.

AIR COOLED CONDENSING UNITS

Electrical Data - Bitzer

| BASE MODEL NUMBER | COMPRESSOR MODEL | RLA | LRA | COND. FAN FLA | AIR DEFROST† | | ELECTRIC DEFROST† | | | EVAP. FAN AMPS† |
|---|------------------|------|-------|---------------|--------------|------|-------------------|------|---------------|-----------------|
| | | | | | MCA | MOPD | MCA | MOPD | DEFROST AMPS† | |
| 208-230V/3/60 Hz, 200-220V/3/50 Hz | | | | | | | | | | |
| R*BS03E4S** | 2DES-3 | 15.3 | 97.0 | 3.8 | 23.8 | 35 | 44.7 | 50 | 35.0 | 12.0 |
| R*BS04E4S** | 2CES-4 | 18.2 | 115.5 | 3.8 | 27.5 | 45 | 44.7 | 50 | 35.0 | 12.0 |
| R*BS05E4S** | 4FES-5 | 24.2 | 163.0 | 3.8 | 35.0 | 50 | 61.0 | 70 | 48.0 | 20.0 |
| R*BS06E4S** | 4EES-6 | 28.1 | 163.0 | 7.5 | 43.6 | 70 | 63.6 | 90 | 48.0 | 20.0 |
| R*BS07E4S** | 4DES-7 | 31.0 | 215.0 | 7.5 | 47.2 | 70 | 67.2 | 90 | 48.0 | 20.0 |
| R*BS08E4S** | 4CES-9 | 34.2 | 215.0 | 7.5 | 51.2 | 80 | 71.2 | 100 | 48.0 | 20.0 |
| R*BS10E4S** | 4TES-12 | 42.3 | 252.0 | 7.5 | 61.3 | 100 | 81.3 | 110 | 48.0 | 20.0 |
| R*BS12E4S** | 4PES-15 | 48.7 | 294.0 | 7.5 | 69.3 | 110 | 89.3 | 125 | 60.0 | 20.0 |
| R*BS15E4S** | 4NES-20 | 57.7 | 352.0 | 7.5 | 80.6 | 125 | 100.6 | 150 | 60.0 | 20.0 |
| R*BS03L4S** | 4FES-3 | 18.0 | 115.5 | 3.8 | - | - | 44.7 | 50 | 35.0 | 12.0 |
| R*BS04L4S** | 4EES-4 | 20.1 | 142.0 | 3.8 | - | - | 51.0 | 60 | 40.0 | 15.0 |
| R*BS05L4S** | 4DES-5 | 20.6 | 163.0 | 3.8 | - | - | 51.0 | 60 | 40.0 | 15.0 |
| R*BS06L4S** | 4CES-6 | 25.0 | 215.0 | 3.8 | - | - | 61.0 | 80 | 48.0 | 20.0 |
| R*BS08L4S** | 4TES-9 | 28.2 | 180.0 | 7.5 | - | - | 76.0 | 90 | 60.0 | 20.0 |
| R*BS09L4S** | 4PES-12 | 34.6 | 222.0 | 7.5 | - | - | 76.0 | 100 | 60.0 | 20.0 |
| R*BS10L4S** | 4NES-14 | 39.7 | 252.0 | 7.5 | - | - | 78.1 | 110 | 60.0 | 20.0 |
| R*BS12L4S** | 4JE-15 | 50.0 | 352.0 | 7.5 | - | - | 91.0 | 125 | 60.0 | 20.0 |
| R*BS15L4S** | 4HE-18 | 54.1 | 352.0 | 7.5 | - | - | 96.1 | 150 | 60.0 | 20.0 |
| R*BS22L4S** | 4GE-23 | 57.7 | 352.0 | 7.5 | - | - | 121.0 | 150 | 96.0 | 25.0 |

460V/3/60 Hz, 380V/3/50 Hz

| | | | | | | | | | | |
|-------------|---------|------|-------|-----|------|----|------|----|------|------|
| R*BS03E4S** | 2DES-3 | 7.2 | 39.5 | 1.9 | 11.8 | 15 | 19.7 | 25 | 15.0 | 6.0 |
| R*BS04E4S** | 2CES-4 | 8.1 | 47.5 | 1.9 | 12.9 | 20 | 19.7 | 25 | 15.0 | 6.0 |
| R*BS05E4S** | 4FES-5 | 13.1 | 66.5 | 1.9 | 19.2 | 30 | 31.0 | 35 | 24.0 | 6.0 |
| R*BS06E4S** | 4EES-6 | 13.4 | 66.5 | 3.7 | 21.4 | 30 | 31.0 | 40 | 24.0 | 6.0 |
| R*BS07E4S** | 4DES-7 | 15.3 | 88.0 | 3.7 | 23.8 | 35 | 38.5 | 45 | 30.0 | 6.0 |
| R*BS08E4S** | 4CES-9 | 17.1 | 88.0 | 3.7 | 26.0 | 40 | 44.7 | 50 | 35.0 | 9.0 |
| R*BS10E4S** | 4TES-12 | 21.2 | 126.0 | 3.7 | 31.2 | 50 | 44.7 | 60 | 35.0 | 9.0 |
| R*BS12E4S** | 4PES-15 | 24.4 | 147.0 | 3.7 | 35.2 | 50 | 51.0 | 60 | 40.0 | 10.0 |
| R*BS15E4S** | 4NES-20 | 28.8 | 176.0 | 3.7 | 40.7 | 60 | 61.0 | 70 | 48.0 | 10.0 |
| R*BS03L4S** | 4FES-3 | 8.1 | 47.5 | 1.9 | - | - | 19.7 | 25 | 15.0 | 6.0 |
| R*BS04L4S** | 4EES-4 | 9.2 | 58.0 | 1.9 | - | - | 20.3 | 25 | 15.0 | 6.0 |
| R*BS05L4S** | 4DES-5 | 10.8 | 66.5 | 1.9 | - | - | 26.0 | 30 | 20.0 | 6.0 |
| R*BS06L4S** | 4CES-6 | 14.2 | 88.0 | 1.9 | - | - | 31.0 | 40 | 24.0 | 6.0 |
| R*BS08L4S** | 4TES-9 | 14.1 | 90.0 | 3.7 | - | - | 38.5 | 40 | 30.0 | 6.0 |
| R*BS09L4S** | 4PES-12 | 17.3 | 111.0 | 3.7 | - | - | 44.7 | 50 | 35.0 | 9.0 |
| R*BS10L4S** | 4NES-14 | 19.9 | 126.0 | 3.7 | - | - | 44.7 | 50 | 35.0 | 9.0 |
| R*BS12L4S** | 4JE-15 | 25.0 | 176.0 | 3.7 | - | - | 51.0 | 70 | 40.0 | 10.0 |
| R*BS15L4S** | 4HE-18 | 27.1 | 176.0 | 3.7 | - | - | 51.0 | 70 | 40.0 | 10.0 |
| R*BS22L4S** | 4GE-23 | 28.8 | 176.0 | 3.7 | - | - | 61.0 | 70 | 48.0 | 10.0 |

575V/3/60 Hz on next page.

* Each asterisk represents a variable character based upon model, voltage, and vintage ordered. See page 4 for nomenclature.

RLA = Rated Load Amps LRA = Locked Rotor Amps

MCA = Minimum Circuit Ampacity MOPD = Maximum Overcurrent Protection

MCA includes 1 amp allowance for control circuit requirement.

† Notes:

1. Air Defrost values do not include evaporator fan electrical load.
2. The electric defrost MCA, MOPD and EVAP FAN AMP columns provide representative rating points for a typical electric defrost application. Contact Application Engineering to recalculate MCA and MOPD values if the actual electric defrost load exceeds the defrost or fan amp values shown in the table above.

3 TO 22 HP

Electrical Data - Bitzer

| BASE MODEL NUMBER | COMPRESSOR MODEL | RLA | LRA | COND. FAN FLA | AIR DEFROST† | | ELECTRIC DEFROST† | | | EVAP. FAN AMPS† |
|---------------------|------------------|------|-------|---------------|--------------|------|-------------------|------|---------------|-----------------|
| | | | | | MCA | MOPD | MCA | MOPD | DEFROST AMPS† | |
| 575V/3/60 Hz | | | | | | | | | | |
| R*BS03E4S** | 2DES-3 | 5.1 | 28.5 | 1.9 | 9.2 | 10 | 19.7 | 20 | 15.0 | 6.0 |
| R*BS04E4S** | 2CES-4 | 6.5 | 34.0 | 1.9 | 10.9 | 15 | 19.7 | 20 | 15.0 | 6.0 |
| R*BS05E4S** | 4FES-5 | 8.7 | 48.0 | 1.9 | 13.7 | 20 | 19.7 | 25 | 15.0 | 6.0 |
| R*BS06E4S** | 4EES-6 | 9.4 | 48.0 | 3.7 | 16.4 | 25 | 26.0 | 30 | 20.0 | 6.0 |
| R*BS07E4S** | 4DES-7 | 11.0 | 63.5 | 3.7 | 18.4 | 25 | 26.0 | 35 | 20.0 | 6.0 |
| R*BS08E4S** | 4CES-9 | 13.7 | 63.5 | 3.7 | 21.8 | 35 | 31.0 | 40 | 24.0 | 6.0 |
| R*BS10E4S** | 4TES-12 | 16.9 | 101.0 | 3.7 | 25.8 | 40 | 44.7 | 50 | 35.0 | 8.0 |
| R*BS12E4S** | 4PES-15 | 19.6 | 117.0 | 3.7 | 29.2 | 45 | 44.7 | 50 | 35.0 | 8.0 |
| R*BS15E4S** | 4NES-20 | 23.6 | 140.0 | 3.7 | 34.2 | 50 | 51.0 | 60 | 40.0 | 8.0 |
| R*BS03L4S** | 4FES-3 | 6.2 | 34.0 | 1.9 | – | – | 19.7 | 20 | 15.0 | 6.0 |
| R*BS04L4S** | 4EES-4 | 7.4 | 41.5 | 1.9 | – | – | 19.7 | 25 | 15.0 | 6.0 |
| R*BS05L4S** | 4DES-5 | 9.0 | 48.0 | 1.9 | – | – | 20.1 | 25 | 15.0 | 6.0 |
| R*BS06L4S** | 4CES-6 | 11.2 | 63.5 | 1.9 | – | – | 26.0 | 30 | 20.0 | 6.0 |
| R*BS08L4S** | 4TES-9 | 12.2 | 72.0 | 3.7 | – | – | 31.0 | 35 | 24.0 | 6.0 |
| R*BS09L4S** | 4PES-12 | 14.4 | 89.0 | 3.7 | – | – | 38.5 | 40 | 30.0 | 6.0 |
| R*BS10L4S** | 4NES-14 | 15.9 | 101.0 | 3.7 | – | – | 38.5 | 45 | 30.0 | 6.0 |
| R*BS12L4S** | 4JE-15 | 20.0 | 140.0 | 3.7 | – | – | 44.7 | 50 | 35.0 | 8.0 |
| R*BS15L4S** | 4HE-18 | 21.7 | 140.0 | 3.7 | – | – | 44.7 | 60 | 35.0 | 8.0 |
| R*BS22L4S** | 4GE-23 | 23.1 | 140.0 | 3.7 | – | – | 51.0 | 60 | 40.0 | 8.0 |

* Each asterisk represents a variable character based upon model, voltage, and vintage ordered. See page 4 for nomenclature.

RLA = Rated Load Amps LRA = Locked Rotor Amps

MCA = Minimum Circuit Ampacity MOPD = Maximum Overcurrent Protection

MCA includes 1 amp allowance for control circuit requirement.

† Notes:

1. Air Defrost values do not include evaporator fan electrical load.
2. The electric defrost MCA, MOPD and EVAP FAN AMP columns provide representative rating points for a typical electric defrost application. Contact Application Engineering to recalculate MCA and MOPD values if the actual electric defrost load exceeds the defrost or fan amp values shown in the table above.



Next-Gen II condensing units are very adaptable and have ample room within the cabinet and control panel for many optional components

AIR COOLED CONDENSING UNITS

Specifications - All Models

| MODEL DATA | | | CONNECTIONS (IN.) | | PUMP DOWN CAPACITY | | | | | |
|--------------|------------------|----|-------------------|--------|--------------------|----------------------|----------------------|--------------------|----------------------|----------------------|
| MODEL NUMBER | COMPRESSOR MODEL | HP | SUCTION | LIQUID | STANDARD RECEIVER | | | OVERSIZED RECEIVER | | |
| | | | | | 80% R404A (LBS.) | 80% R407A/C/F (LBS.) | 80% R448/449A (LBS.) | 80% R404A (LBS.) | 80% R407A/C/F (LBS.) | 80% R448/449A (LBS.) |

Medium Temperature Discus

| | | | | | | | | | | |
|-------------|-----------|----|-------|-----|------|------|------|------|------|------|
| R*DS04M4S** | 2DC3R53KE | 4 | 1-3/8 | 5/8 | 18.9 | 20.8 | 19.9 | 40.3 | 44.4 | 42.3 |
| R*DS05M4S** | 2DD3R63KE | 5 | 1-3/8 | 5/8 | 18.9 | 20.8 | 19.9 | 40.3 | 44.4 | 42.3 |
| R*DS06M4S** | 2DL3R78KE | 6 | 1-5/8 | 5/8 | 40.3 | 44.4 | 42.3 | 44.7 | 49.3 | 47.0 |
| R*DS07M4S** | 2DA3R89KE | 7 | 1-5/8 | 7/8 | 40.3 | 44.4 | 42.3 | 44.7 | 49.3 | 47.0 |
| R*DS08M4S** | 3DA3R10ME | 8 | 1-5/8 | 7/8 | 40.3 | 44.4 | 42.3 | 44.7 | 49.3 | 47.0 |
| R*DS10M4S** | 3DB3R12ME | 10 | 2-1/8 | 7/8 | 40.3 | 44.4 | 42.3 | 44.7 | 49.3 | 47.0 |
| R*DS12M4S** | 3DF3R15ME | 12 | 2-1/8 | 7/8 | 44.7 | 49.3 | 47.0 | 68.3 | 75.3 | 71.8 |
| R*DS15M4S** | 3DS3R17ME | 15 | 2-1/8 | 7/8 | 44.7 | 49.3 | 47.0 | 68.3 | 75.3 | 71.8 |

Low Temperature Discus

| | | | | | | | | | | |
|-------------|-----------|----|-------|-----|------|------|------|------|------|------|
| R*DS03L4S** | 2DF3F16KE | 3 | 1-3/8 | 1/2 | 18.9 | 20.8 | 19.9 | 40.3 | 44.4 | 42.3 |
| R*DS04L4S** | 2DL3F20KE | 4 | 1-3/8 | 1/2 | 18.9 | 20.8 | 19.9 | 40.3 | 44.4 | 42.3 |
| R*DS05L4S** | 2DA3F23KE | 5 | 1-3/8 | 1/2 | 18.9 | 20.8 | 19.9 | 40.3 | 44.4 | 42.3 |
| R*DS06L4S** | 3DA3F28KE | 6 | 1-5/8 | 5/8 | 40.3 | 44.4 | 42.3 | 44.7 | 49.3 | 47.0 |
| R*DS08L4S** | 3DB3F33KE | 8 | 1-5/8 | 5/8 | 40.3 | 44.4 | 42.3 | 44.7 | 49.3 | 47.0 |
| R*DS09L4S** | 3DF3F40KE | 9 | 2-1/8 | 5/8 | 40.3 | 44.4 | 42.3 | 44.7 | 49.3 | 47.0 |
| R*DS10L4S** | 3DS3F46KE | 10 | 2-1/8 | 5/8 | 40.3 | 44.4 | 42.3 | 44.7 | 49.3 | 47.0 |
| R*DS12L4S** | 4DBNF54KE | 12 | 2-1/8 | 5/8 | 40.3 | 44.4 | 42.3 | 44.7 | 49.3 | 47.0 |
| R*DS15L4S** | 4DHNF63KE | 15 | 2-1/8 | 5/8 | 40.3 | 44.4 | 42.3 | 44.7 | 49.3 | 47.0 |
| R*DS22L4S** | 4DJNF76KE | 22 | 2-1/8 | 7/8 | 44.7 | 49.3 | 47.0 | 68.3 | 75.3 | 71.8 |

Extended Range Medium Temperature Scroll

| | | | | | | | | | | |
|-------------|----------|----|-------|-----|------|------|------|------|------|------|
| R*OS04E4S** | ZS29KAE | 4 | 1-1/8 | 5/8 | 18.9 | 20.8 | 19.9 | 40.3 | 44.4 | 42.3 |
| R*OS05E4S** | ZS33KAE | 5 | 1-1/8 | 5/8 | 18.9 | 20.8 | 19.9 | 40.3 | 44.4 | 42.3 |
| R*OS06E4S** | ZS38K4E | 6 | 1-3/8 | 5/8 | 18.9 | 20.8 | 19.9 | 40.3 | 44.4 | 42.3 |
| R*OS07E4S** | ZS45K4E | 7 | 1-3/8 | 5/8 | 40.3 | 44.4 | 42.3 | 44.7 | 49.3 | 47.0 |
| R*OS08E4S** | ZB58K5E | 8 | 1-5/8 | 7/8 | 40.3 | 44.4 | 42.3 | 44.7 | 49.3 | 47.0 |
| R*OS09E4S** | ZB66K5E | 9 | 1-5/8 | 7/8 | 40.3 | 44.4 | 42.3 | 44.7 | 49.3 | 47.0 |
| R*OS10E4S** | ZB76K5E | 10 | 1-5/8 | 7/8 | 40.3 | 44.4 | 42.3 | 44.7 | 49.3 | 47.0 |
| R*OS13E4S** | ZB95K5E | 13 | 2-1/8 | 7/8 | 44.7 | 49.3 | 47.0 | 68.3 | 75.3 | 71.8 |
| R*OS15E4S** | ZB114K5E | 15 | 2-1/8 | 7/8 | 44.7 | 49.3 | 47.0 | 68.3 | 75.3 | 71.8 |

Low Temperature Scroll

| | | | | | | | | | | |
|-------------|---------|----|-------|-----|------|------|------|------|------|------|
| R*OS08L4S** | ZF25K4E | 8 | 1-5/8 | 1/2 | 18.9 | 20.8 | 19.9 | 40.3 | 44.4 | 42.3 |
| R*OS10L4S** | ZF34K5E | 10 | 1-5/8 | 5/8 | 40.3 | 44.4 | 42.3 | 44.7 | 49.3 | 47.0 |
| R*OS13L4S** | ZF41K5E | 13 | 2-1/8 | 5/8 | 40.3 | 44.4 | 42.3 | 44.7 | 49.3 | 47.0 |
| R*OS15L4S** | ZF49K5E | 15 | 2-1/8 | 5/8 | 40.3 | 44.4 | 42.3 | 44.7 | 49.3 | 47.0 |

Extended Range Medium Temperature Bitzer

| | | | | | | | | | | |
|-------------|---------|----|-------|-----|------|------|------|------|------|------|
| R*BS03E4S** | 2DES-3 | 3 | 1-1/8 | 5/8 | 18.9 | 20.8 | 19.9 | 40.3 | 44.4 | 42.3 |
| R*BS04E4S** | 2CES-4 | 4 | 1-3/8 | 5/8 | 18.9 | 20.8 | 19.9 | 40.3 | 44.4 | 42.3 |
| R*BS05E4S** | 4FES-5 | 5 | 1-3/8 | 5/8 | 18.9 | 20.8 | 19.9 | 40.3 | 44.4 | 42.3 |
| R*BS06E4S** | 4EES-6 | 6 | 1-5/8 | 5/8 | 40.3 | 44.4 | 42.3 | 44.7 | 49.3 | 47.0 |
| R*BS07E4S** | 4DES-7 | 7 | 1-5/8 | 7/8 | 40.3 | 44.4 | 42.3 | 44.7 | 49.3 | 47.0 |
| R*BS08E4S** | 4CES-9 | 8 | 1-5/8 | 7/8 | 40.3 | 44.4 | 42.3 | 44.7 | 49.3 | 47.0 |
| R*BS10E4S** | 4TES-12 | 10 | 2-1/8 | 7/8 | 40.3 | 44.4 | 42.3 | 44.7 | 49.3 | 47.0 |
| R*BS12E4S** | 4PES-15 | 12 | 2-1/8 | 7/8 | 44.7 | 49.3 | 47.0 | 68.3 | 75.3 | 71.8 |
| R*BS15E4S** | 4NES-20 | 15 | 2-1/8 | 7/8 | 44.7 | 49.3 | 47.0 | 68.3 | 75.3 | 71.8 |

Low Temperature Bitzer

| | | | | | | | | | | |
|-------------|---------|----|-------|-----|------|------|------|------|------|------|
| R*BS03L4S** | 4FES-3 | 3 | 1-3/8 | 1/2 | 18.9 | 20.8 | 19.9 | 40.3 | 44.4 | 42.3 |
| R*BS04L4S** | 4EES-4 | 4 | 1-3/8 | 1/2 | 18.9 | 20.8 | 19.9 | 40.3 | 44.4 | 42.3 |
| R*BS05L4S** | 4DES-5 | 5 | 1-3/8 | 1/2 | 18.9 | 20.8 | 19.9 | 40.3 | 44.4 | 42.3 |
| R*BS06L4S** | 4CES-6 | 6 | 1-5/8 | 1/2 | 18.9 | 20.8 | 19.9 | 40.3 | 44.4 | 42.3 |
| R*BS08L4S** | 4TES-9 | 8 | 1-5/8 | 5/8 | 40.3 | 44.4 | 42.3 | 44.7 | 49.3 | 47.0 |
| R*BS09L4S** | 4PES-12 | 9 | 1-5/8 | 5/8 | 40.3 | 44.4 | 42.3 | 44.7 | 49.3 | 47.0 |
| R*BS10L4S** | 4NES-14 | 10 | 2-1/8 | 5/8 | 40.3 | 44.4 | 42.3 | 44.7 | 49.3 | 47.0 |
| R*BS12L4S** | 4JE-15 | 12 | 2-1/8 | 5/8 | 40.3 | 44.4 | 42.3 | 44.7 | 49.3 | 47.0 |
| R*BS15L4S** | 4HE-18 | 15 | 2-1/8 | 5/8 | 40.3 | 44.4 | 42.3 | 44.7 | 49.3 | 47.0 |
| R*BS22L4S** | 4GE-23 | 22 | 2-1/8 | 7/8 | 44.7 | 49.3 | 47.0 | 68.3 | 75.3 | 71.8 |

See Specifications notes listed at the bottom of page 38.

3TO 22 HP

Specifications - All Models

| MODEL DATA | | CABINET SIZE ¹ | FAN QTY. | DIMENSIONS (IN.) | | | APPROX. SHIP WT. (LBS.) |
|--------------|-------------|---------------------------|----------|------------------|---|---|-------------------------|
| MODEL NUMBER | COMP. MODEL | | | D | W | H | |

Medium Temperature Discus

| | | | | | | | |
|-------------|-----------|-----|---|----|---------|--------|-------|
| R*DS04M4S** | 2DC3R53KE | FD1 | 1 | 49 | 38-5/16 | 36-3/8 | 825 |
| R*DS05M4S** | 2DD3R63KE | FD1 | 1 | 49 | 38-5/16 | 36-3/8 | 850 |
| R*DS06M4S** | 2DL3R78KE | FD2 | 2 | 49 | 68-5/16 | 36-3/8 | 1,075 |
| R*DS07M4S** | 2DA3R89KE | FD2 | 2 | 49 | 68-5/16 | 36-3/8 | 1,100 |
| R*DS08M4S** | 3DA3R10ME | FD2 | 2 | 49 | 68-5/16 | 36-3/8 | 1,130 |
| R*DS10M4S** | 3DB3R12ME | FD2 | 2 | 49 | 68-5/16 | 36-3/8 | 1,330 |
| R*DS12M4S** | 3DF3R15ME | FD3 | 2 | 49 | 68-5/16 | 43-7/8 | 1,330 |
| R*DS15M4S** | 3DS3R17ME | FD3 | 2 | 49 | 68-5/16 | 43-7/8 | 1,350 |

Low Temperature Discus

| | | | | | | | |
|-------------|-----------|-----|---|----|---------|--------|-------|
| R*DS03L4S** | 2DF3F16KE | FD1 | 1 | 49 | 38-5/16 | 36-3/8 | 710 |
| R*DS04L4S** | 2DL3F20KE | FD1 | 1 | 49 | 38-5/16 | 36-3/8 | 760 |
| R*DS05L4S** | 2DA3F23KE | FD1 | 1 | 49 | 38-5/16 | 36-3/8 | 805 |
| R*DS06L4S** | 3DA3F28KE | FD2 | 2 | 49 | 68-5/16 | 36-3/8 | 870 |
| R*DS08L4S** | 3DB3F33KE | FD2 | 2 | 49 | 68-5/16 | 36-3/8 | 1,130 |
| R*DS09L4S** | 3DF3F40KE | FD2 | 2 | 49 | 68-5/16 | 36-3/8 | 1,275 |
| R*DS10L4S** | 3DS3F46KE | FD2 | 2 | 49 | 68-5/16 | 36-3/8 | 1,275 |
| R*DS12L4S** | 4DBNF54KE | FD2 | 2 | 49 | 68-5/16 | 36-3/8 | 1,290 |
| R*DS15L4S** | 4DHNF63KE | FD2 | 2 | 49 | 68-5/16 | 36-3/8 | 1,310 |
| R*DS22L4S** | 4DJNF76KE | FD3 | 2 | 49 | 68-5/16 | 43-7/8 | 1,420 |

Extended Range Medium Temperature Scroll

| | | | | | | | |
|-------------|----------|-----|---|----|---------|--------|-------|
| R*OS04E4S** | ZS29KAE | FD1 | 1 | 49 | 38-5/16 | 36-3/8 | 700 |
| R*OS05E4S** | ZS33KAE | FD1 | 1 | 49 | 38-5/16 | 36-3/8 | 710 |
| R*OS06E4S** | ZS38K4E | FD1 | 1 | 49 | 38-5/16 | 36-3/8 | 710 |
| R*OS07E4S** | ZS45K4E | FD2 | 2 | 49 | 68-5/16 | 36-3/8 | 870 |
| R*OS08E4S** | ZB58K5E | FD2 | 2 | 49 | 68-5/16 | 36-3/8 | 915 |
| R*OS09E4S** | ZB66K5E | FD2 | 2 | 49 | 68-5/16 | 36-3/8 | 980 |
| R*OS10E4S** | ZB76K5E | FD2 | 2 | 49 | 68-5/16 | 36-3/8 | 1,085 |
| R*OS13E4S** | ZB95K5E | FD3 | 2 | 49 | 68-5/16 | 43-7/8 | 1,105 |
| R*OS15E4S** | ZB114K5E | FD3 | 2 | 49 | 68-5/16 | 43-7/8 | 1,200 |

Low Temperature Scroll

| | | | | | | | |
|-------------|---------|-----|---|----|---------|--------|-------|
| R*OS08L4S** | ZF25K4E | FD1 | 1 | 49 | 38-5/16 | 36-3/8 | 850 |
| R*OS10L4S** | ZF34K5E | FD2 | 2 | 49 | 68-5/16 | 36-3/8 | 1,025 |
| R*OS13L4S** | ZF41K5E | FD2 | 2 | 49 | 68-5/16 | 36-3/8 | 1,050 |
| R*OS15L4S** | ZF49K5E | FD2 | 2 | 49 | 68-5/16 | 36-3/8 | 1,105 |

Extended Range Medium Temperature Bitzer

| | | | | | | | |
|-------------|---------|-----|---|----|---------|--------|-------|
| R*BS03E4S** | 2DES-3 | FD1 | 1 | 49 | 38-5/16 | 36-3/8 | 800 |
| R*BS04E4S** | 2CES-4 | FD1 | 1 | 49 | 38-5/16 | 36-3/8 | 825 |
| R*BS05E4S** | 4FES-5 | FD1 | 1 | 49 | 38-5/16 | 36-3/8 | 850 |
| R*BS06E4S** | 4EES-6 | FD2 | 2 | 49 | 68-5/16 | 36-3/8 | 1,075 |
| R*BS07E4S** | 4DES-7 | FD2 | 2 | 49 | 68-5/16 | 36-3/8 | 1,100 |
| R*BS08E4S** | 4CES-9 | FD2 | 2 | 49 | 68-5/16 | 36-3/8 | 1,130 |
| R*BS10E4S** | 4TES-12 | FD2 | 2 | 49 | 68-5/16 | 36-3/8 | 1,330 |
| R*BS12E4S** | 4PES-15 | FD3 | 2 | 49 | 68-5/16 | 43-7/8 | 1,330 |
| R*BS15E4S** | 4NES-20 | FD3 | 2 | 49 | 68-5/16 | 43-7/8 | 1,350 |

Low Temperature Bitzer

| | | | | | | | |
|-------------|---------|-----|---|----|---------|--------|-------|
| R*BS03L4S** | 4FES-3 | FD1 | 1 | 49 | 38-5/16 | 36-3/8 | 710 |
| R*BS04L4S** | 4EES-4 | FD1 | 1 | 49 | 38-5/16 | 36-3/8 | 760 |
| R*BS05L4S** | 4DES-5 | FD1 | 1 | 49 | 38-5/16 | 36-3/8 | 805 |
| R*BS06L4S** | 4CES-6 | FD1 | 1 | 49 | 38-5/16 | 36-3/8 | 870 |
| R*BS08L4S** | 4TES-9 | FD2 | 2 | 49 | 68-5/16 | 36-3/8 | 1,130 |
| R*BS09L4S** | 4PES-12 | FD2 | 2 | 49 | 68-5/16 | 36-3/8 | 1,275 |
| R*BS10L4S** | 4NES-14 | FD2 | 2 | 49 | 68-5/16 | 36-3/8 | 1,275 |
| R*BS12L4S** | 4JE-15 | FD2 | 2 | 49 | 68-5/16 | 36-3/8 | 1,290 |
| R*BS15L4S** | 4HE-18 | FD2 | 2 | 49 | 68-5/16 | 36-3/8 | 1,310 |
| R*BS22L4S** | 4GE-23 | FD3 | 2 | 49 | 68-5/16 | 43-7/8 | 1,420 |

* Each asterisk represents a variable character based upon model, voltage, and vintage ordered. See page 4 for nomenclature.

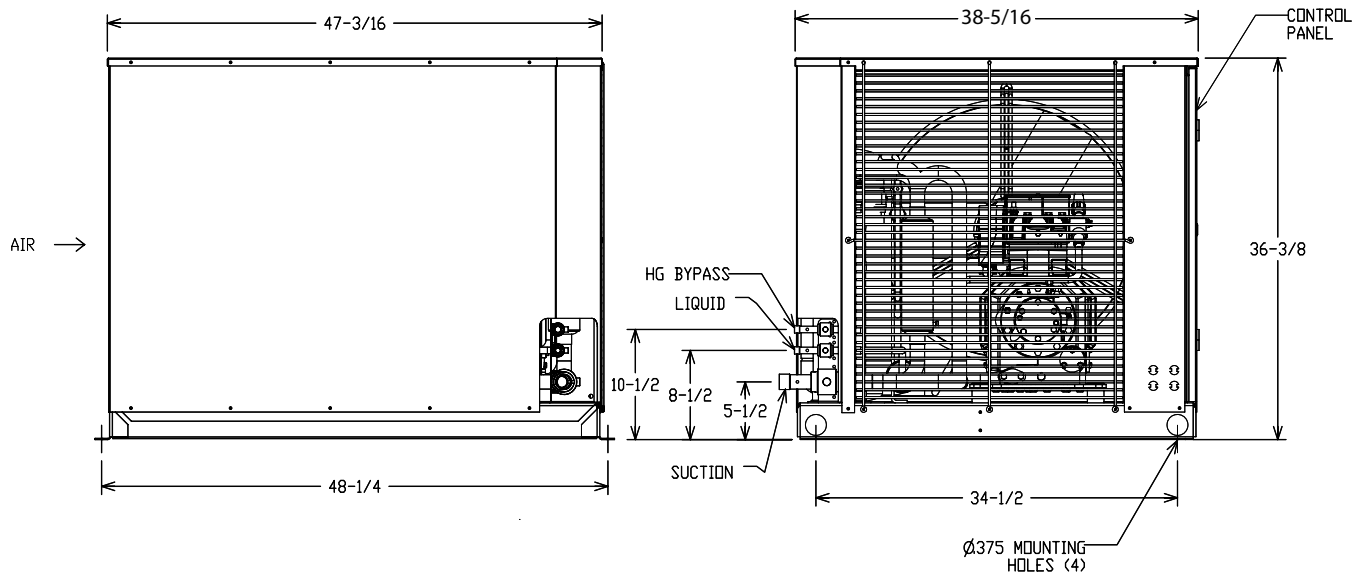
† See pages 39-40 for associated drawings.



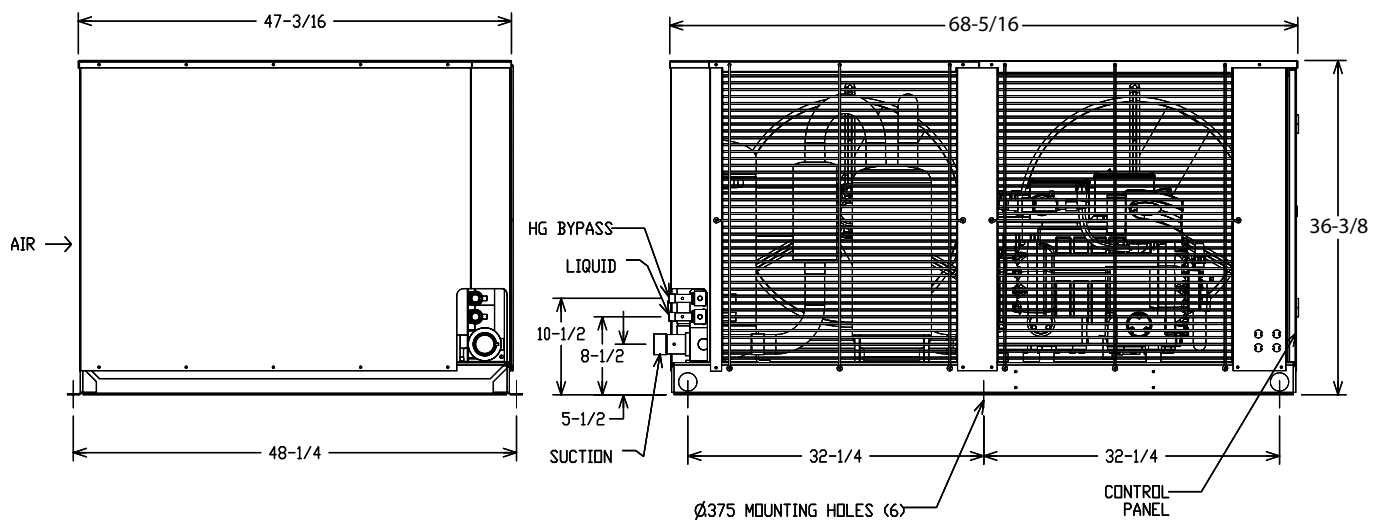
APPLICATIONS:
Food Storage and
Preparation

AIR COOLED CONDENSING UNITS

Physical Dimensions - FD1

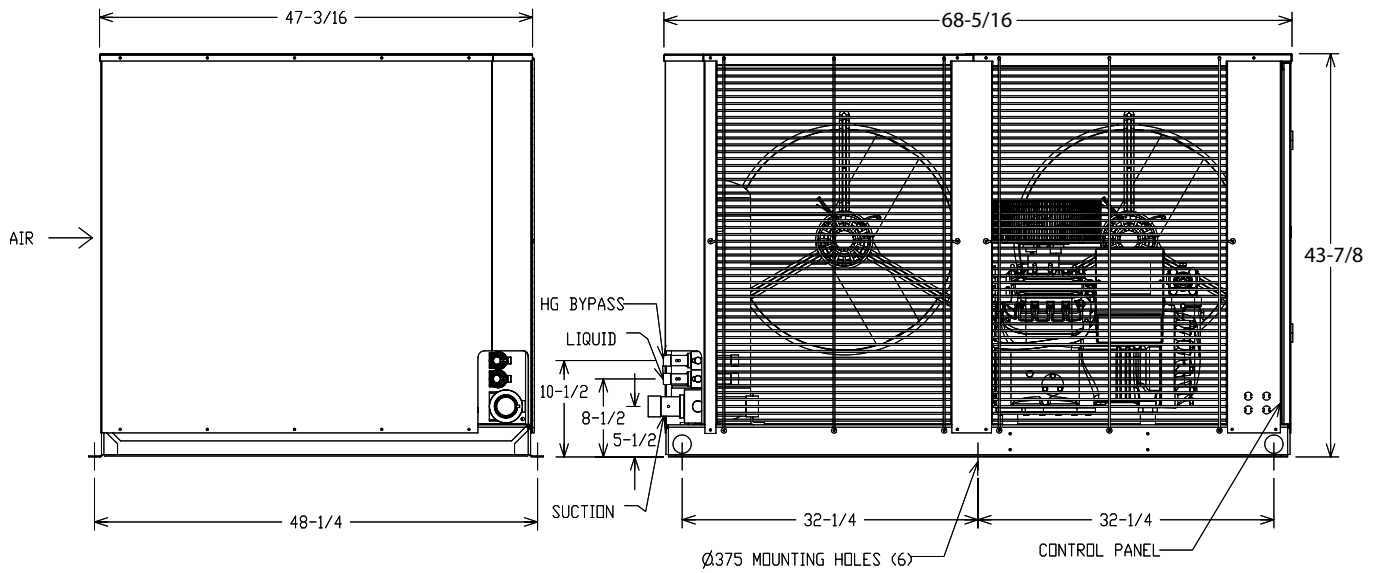


Physical Dimensions - FD2



* Dimensions are in inches.

Physical Dimensions - FD3



* Dimensions are in inches.

Due to continuing product development, specifications are subject to change without notice.

