



Publication No. RU-RFH-0917A
Replaces document RU-RFH-0617A

R-Series Next-Gen MiniCon

1/2 TO 6 HP MULTI-REFRIGERANT AIR COOLED CONDENSING UNITS



1/2 TO 6 HP

The Next Generation of MiniCons are Here!

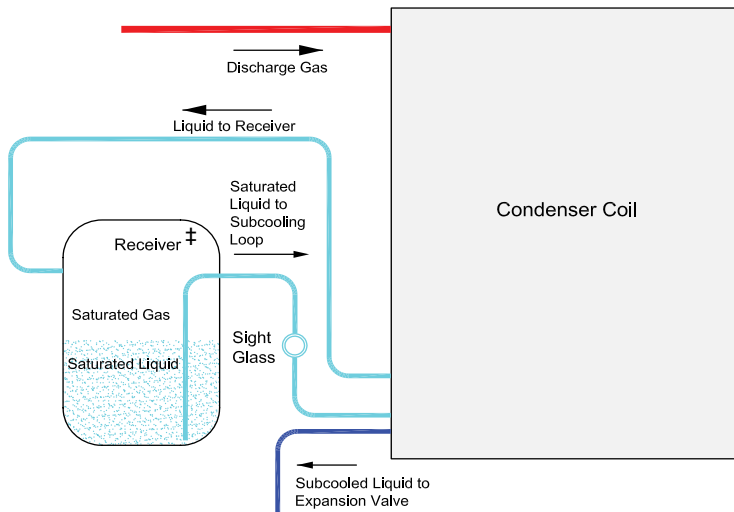
Russell's Next-Gen MiniCon R-Series ½ through 6 HP condensing units are engineered with an exciting new design that provides increased efficiency, more standard features, easier serviceability, and more catalogued options.

Next-Gen MiniCons are ideally suited for use in a variety of commercial applications such as cafeterias, convenience stores, restaurants and fast food outlets while providing the versatility to excel in a full array of other applications. These new R-Series units provide a winning combination of high quality, increased flexibility and greatly improved efficiency for even lower long-term operating costs.

The small profile product line is designed to utilize R404A or other low GWP refrigerants R407A, R407C, R448A and R449A. Units are available with low-cost hermetic or efficient and quiet scroll compressors. The standard Next-Gen R-Series is rated for operation in ambient air temperatures up to 110°F.

Integral Subcooling Circuit

All Next-Gen MiniCon units feature an integral subcooling circuit that allows saturated liquid to flow from the receiver to the condenser where the refrigerant is subcooled by ambient air. This provides an average of 3 to 5°F of subcooling for higher efficiency while assuring optimal expansion device operation.



‡ Sierra models include a receiver section within the condenser and do not have a separate receiver tank.

Table of Contents

Page(s)

| | |
|---|-------|
| Features and Options Chart | 4 |
| Model Nomenclature | 4 |
| Capacity Data (BTUH) - Extended Medium Temperature - Hermetic R404A | 5 |
| Capacity Data (BTUH) - Extended Medium Temperature - Hermetic R407C | 6 |
| Capacity Data (BTUH) - Extended Medium Temperature - Hermetic R448A, R449A | 7 |
| Capacity Data (BTUH) - Extended Medium Temperature - Scroll R404A | 8 |
| Capacity Data (BTUH) - Extended Medium Temperature - Scroll R407A | 9 |
| Capacity Data (BTUH) - Extended Medium Temperature - Scroll R407C | 10 |
| Capacity Data (BTUH) - Extended Medium Temperature - Scroll R448A, R449A | 11 |
| Capacity Data (BTUH) - Low Temperature - Hermetic R404A | 12 |
| Capacity Data (BTUH) - Low Temperature - Scroll R404A | 13 |
| Capacity Data (BTUH) - Low Temperature - Scroll R407A | 14 |
| Capacity Data (BTUH) - Low Temperature - Scroll R407C | 15 |
| Capacity Data (BTUH) - Low Temperature - Scroll R448A, R449A | 16 |
| Electrical Data - Hermetic | 17 |
| Electrical Data - Scroll | 18-19 |
| Specifications - All Models | 20-22 |
| Physical Dimensions and Drawings - All Models | 22-24 |

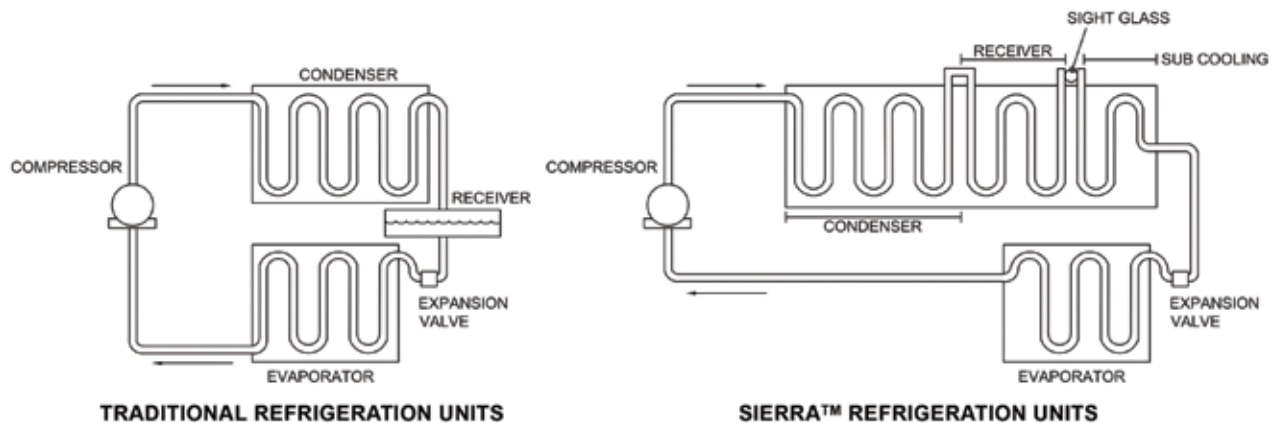
NEXT-GEN MINICON CONDENSING UNITS

Standard Features

- Low-cost Hermetic or quiet and efficient Scroll compressor
 - All-weather - Galvanized steel painted housing
 - Generously sized high efficiency condenser, enhanced copper tubes/aluminum fins
 - Integral Liquid Subcooling Circuit provides subcooled liquid to the expansion device
 - Base mounted shut-off valves placed external to cabinet for easy access
 - Liquid line kit with filter/drier and sight glass with moisture indicator
 - Suction line piping
 - Larger electrical panel with hinged/removable door
 - Color coded point-to-point wiring
 - Crankcase heater
 - Refrigerant receiver with isolation valve and pressure relief plug (not Sierra)
 - PSC condenser fan motor(s) with EC motor option
 - Encapsulated high pressure (auto reset) and low pressure (auto reset) controls (adjustable low pressure control is standard on low temperature models)
 - Electronic defrost timer with defrost contactor/relay on low temperature models (2 evaps. maximum)
 - Electronic air defrost timer (Medium temperature models only)
 - UL and cUL listed for indoor or outdoor use
- RFH/RFO** models include flooded head pressure control as a standard feature.
- RVH/RVO** models feature the **Sierra™** refrigeration system and no refrigerant receiver .

Sierra™ Refrigeration Condensing Units

The unique design provides built-in refrigerant storage capacity in the condenser section of the condensing unit. They require up to 20% less refrigerant to operate while maintaining continuous peak performance.



Options*

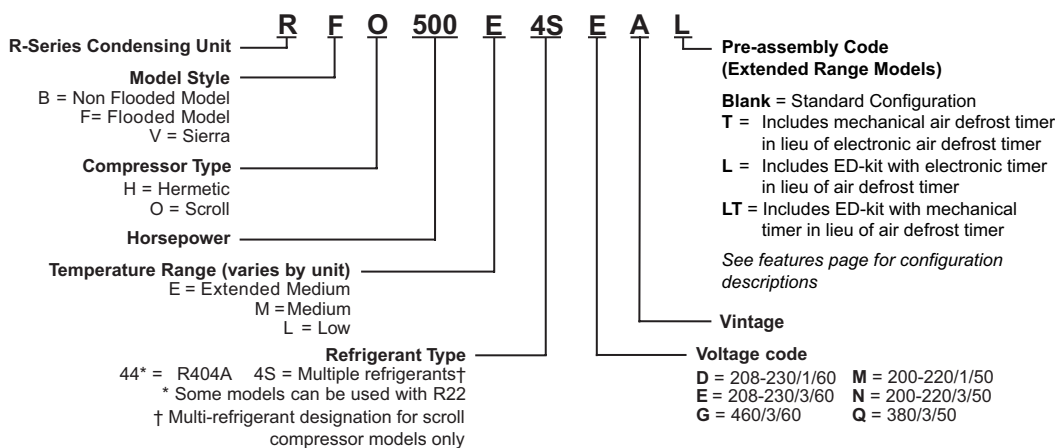
- Suction accumulator
 - Oil separator (may not be available with mounted accumulator)
 - Thru-the-door fused disconnect for cabinet sizes FM2 through FM4
 - External fused or non-fused disconnect - loose or mounted
 - Heated and insulated receiver
 - Oversized receiver
 - Adjustable high/low pressure control
 - Hose option for adjustable pressure control
 - EC condenser motor
 - Pump down toggle switch
 - Liquid line solenoid - loose
 - Phase loss monitor
 - Hail / Snow Guard - loose or mounted
 - Paragon mechanical timer in lieu of electronic timer
 - Timer shipped loose in enclosure
 - CPC timer
 - 316 Stainless steel housing
 - 50 Hz timer and/or defrost kit
- * Not all options are available for Sierra models. See page 4 for details.

1/2 TO 6 HP

Features and Options

| | DESCRIPTION | FLOODED MODELS | | NON-FLOODED MODELS | | SIERRA MODELS | |
|----------------------------------|---|----------------|-----|--------------------|-----|-----------------------|-----|
| | | RFH | RFO | RBH | RBO | RVH | RVO |
| CABINET | All weather housing - Pre-painted grey | STANDARD | | STANDARD | | STANDARD | |
| | 316 Stainless Steel | OPTIONAL | | OPTIONAL | | OPTIONAL | |
| | Hail / Snow Guards - Loose or Mounted | OPTIONAL | | OPTIONAL | | OPTIONAL | |
| | Large Control panel for power and control circuits | STANDARD | | STANDARD | | STANDARD | |
| | Hinged / removable control panel door | STANDARD | | STANDARD | | STANDARD | |
| COMPRESSOR | Hermetic | STD | N/A | STD | N/A | STD | N/A |
| | Scroll | N/A | STD | N/A | STD | N/A | STD |
| ELECTRICAL | Crankcase heater | STANDARD | | STANDARD | | STANDARD | |
| | Compressor contactor (1Ø or 3Ø), start kit (1Ø) | STANDARD | | STANDARD | | STANDARD | |
| | Control transformer (460V to 230V) as required | STANDARD | | STANDARD | | STANDARD | |
| | **Encapsulated high and low pressure controls | STANDARD | | STANDARD | | STANDARD | |
| | Color coded wiring for maximum serviceability | STANDARD | | STANDARD | | STANDARD | |
| HIGH EFFICIENCY CONDENSER | Enhanced Copper tubes, Aluminum fins | STANDARD | | STANDARD | | STANDARD | |
| | High ambient coil | STANDARD | | STANDARD | | STANDARD | |
| | Integral Subcooling Circuit | STANDARD | | STANDARD | | STANDARD | |
| | PSC Fan motor(s) - overload protection | STANDARD | | STANDARD | | STANDARD | |
| | EC Fan motor(s) - overload protection | OPTIONAL | | OPTIONAL | | OPTIONAL | |
| | Copper, polyester coated fins or Electro Fin® coated coil | OPTIONAL | | OPTIONAL | | OPTIONAL | |
| | Integral receiver section | N/A | | N/A | | STANDARD | |
| PIPING COMPONENTS | Base mounted liquid and suction shut-off valves | STANDARD | | STANDARD | | STANDARD | |
| | Suction line (piping only) | STANDARD | | STANDARD | | STANDARD | |
| | Suction kit (piping and suction filter) | OPTIONAL | | OPTIONAL | | STANDARD | |
| | Suction line accumulator | OPTIONAL | | OPTIONAL | | STANDARD | |
| | *Liquid line kit | STANDARD | | STANDARD | | STANDARD | |
| | | | | | | | |
| RECEIVER⁺ | Receiver Isolation valve | STANDARD | | STANDARD | | STANDARD ⁺ | |
| | Pressure relief plug | STANDARD | | STANDARD | | N/A | |
| | Oversized receiver | OPTIONAL | | OPTIONAL | | N/A | |
| LOW AMBIENT CONTROLS | Flooded head pressure control | STANDARD | | N/A | | N/A | |
| | Fan cycle control (2 Fan models only) | N/A | | STANDARD | | STANDARD | |
| DEFROST PROVISIONS | ^Electronic Air defrost time clock for medium temps. | STANDARD | | STANDARD | | STANDARD | |
| | Mechanical defrost timer | OPTIONAL | | OPTIONAL | | OPTIONAL | |
| | 50 Hz defrost timers with or without contactors | OPTIONAL | | OPTIONAL | | OPTIONAL | |
| | Surveillant family of electronic system controllers | OPTIONAL | | OPTIONAL | | OPTIONAL | |
| | Electric defrost | (1) | (1) | (1) | (1) | (1) | (1) |
| TESTING | UL and cUL listed | STANDARD | | STANDARD | | STANDARD | |
| | Hydrogen leak and dielectric tested before shipping | STANDARD | | STANDARD | | STANDARD | |
| | Dry Nitrogen shipping charge (25 to 35 PSI) | STANDARD | | STANDARD | | STANDARD | |

MODEL NUMBER NOMENCLATURE



STD = Standard Feature

N/A = Not Available

*Liquid line kit includes: Piping, filter drier, sight glass/moisture indicator.

**Adjustable low pressure control on low temp. models in lieu of fixed control.

+ Sierra units do not include a receiver tank.

^ Standard on extended medium temp. models only.

(1) Electric defrost kit is included on low temp. models and optional for medium temp. models - see pages 17-19.

(2) Sierra models are critical charge units - see pages 3 and 20.

See specification pages 20-21 for compressor horsepower.

NEXT-GEN MINICON CONDENSING UNITS

Capacity Data (BTUH) - Extended Medium Temperature R404A Hermetic - 60 Hz[‡]

SUCTION TEMPERATURE

| MODEL | COMP. MODEL | 30°F | 25°F | 20°F | 10°F | 0°F | -10°F | -20°F | -25°F |
|-------|-------------|------|------|------|------|-----|-------|-------|-------|
|-------|-------------|------|------|------|------|-----|-------|-------|-------|

90°F Ambient

| | | | | | | | | | |
|-------------|----------|--------|--------|--------|--------|--------|--------|-------|-------|
| R*H055E44** | RST45C1E | 6,660 | 6,020 | 5,420 | 4,350 | 3,390 | 2,520 | 1,700 | 1,310 |
| R*H080E44** | RST55C1E | 8,270 | 7,410 | 6,610 | 5,180 | 3,960 | 2,930 | 2,070 | 1,690 |
| R*H090E44** | RST64C1E | 9,930 | 9,080 | 8,260 | 6,690 | 5,250 | 3,980 | 2,870 | 2,370 |
| R*H100E44** | RST70C1E | 10,590 | 9,570 | 8,610 | 6,820 | 5,250 | 3,920 | 2,830 | 2,360 |
| R*H125E44** | RST97C1E | 14,260 | 13,080 | 11,910 | 9,690 | 7,640 | 5,820 | 4,300 | 3,680 |
| R*H150E44** | CS10K6E | 16,270 | 14,720 | 13,190 | 10,260 | 7,530 | 5,110 | 3,130 | 2,340 |
| R*H200E44** | CS12K6E | 18,960 | 16,960 | 15,070 | 11,650 | 8,640 | 5,970 | 3,580 | 2,470 |
| R*H250E44** | CS14K6E | 22,170 | 20,230 | 18,300 | 14,510 | 10,980 | 7,840 | 5,230 | 4,150 |
| R*H300E44** | CS18K6E | 27,060 | 24,730 | 22,400 | 17,760 | 13,300 | 9,330 | 6,120 | 4,890 |
| R*H325E44** | CS20K6E | 35,720 | 31,530 | 27,770 | 21,320 | 16,050 | 11,600 | 7,610 | 5,670 |

95°F Ambient

| | | | | | | | | | |
|-------------|----------|--------|--------|--------|--------|--------|--------|-------|-------|
| R*H055E44** | RST45C1E | 6,350 | 5,740 | 5,170 | 4,130 | 3,210 | 2,370 | 1,580 | 1,200 |
| R*H080E44** | RST55C1E | 7,860 | 7,040 | 6,270 | 4,890 | 3,720 | 2,730 | 1,900 | 1,540 |
| R*H090E44** | RST64C1E | 9,470 | 8,650 | 7,860 | 6,360 | 4,970 | 3,740 | 2,670 | 2,200 |
| R*H100E44** | RST70C1E | 10,090 | 9,110 | 8,190 | 6,480 | 4,970 | 3,690 | 2,640 | 2,190 |
| R*H125E44** | RST97C1E | 13,620 | 12,470 | 11,350 | 9,200 | 7,230 | 5,470 | 4,020 | 3,420 |
| R*H150E44** | CS10K6E | 15,280 | 13,810 | 12,340 | 9,530 | 6,920 | 4,610 | 2,740 | 1,990 |
| R*H200E44** | CS12K6E | 17,870 | 15,950 | 14,140 | 10,850 | 7,970 | 5,410 | 3,130 | 2,070 |
| R*H250E44** | CS14K6E | 20,940 | 19,070 | 17,230 | 13,620 | 10,240 | 7,250 | 4,760 | 3,740 |
| R*H300E44** | CS18K6E | 25,490 | 23,260 | 21,020 | 16,560 | 12,310 | 8,530 | 5,520 | 4,370 |
| R*H325E44** | CS20K6E | 33,580 | 29,590 | 25,970 | 19,800 | 14,770 | 10,530 | 6,720 | 4,870 |

100°F Ambient

| | | | | | | | | | |
|-------------|----------|--------|--------|--------|--------|--------|-------|-------|-------|
| R*H055E44** | RST45C1E | 6,030 | 5,450 | 4,900 | 3,910 | 3,030 | 2,220 | 1,460 | 1,090 |
| R*H080E44** | RST55C1E | 7,460 | 6,670 | 5,930 | 4,610 | 3,490 | 2,540 | 1,740 | 1,400 |
| R*H090E44** | RST64C1E | 9,010 | 8,220 | 7,460 | 6,020 | 4,700 | 3,510 | 2,480 | 2,030 |
| R*H100E44** | RST70C1E | 9,580 | 8,650 | 7,770 | 6,130 | 4,690 | 3,460 | 2,450 | 2,020 |
| R*H125E44** | RST97C1E | 12,960 | 11,860 | 10,780 | 8,710 | 6,810 | 5,120 | 3,730 | 3,150 |
| R*H150E44** | CS10K6E | 14,320 | 12,910 | 11,490 | 8,810 | 6,320 | 4,120 | 2,350 | 1,640 |
| R*H200E44** | CS12K6E | 16,800 | 14,950 | 13,210 | 10,050 | 7,300 | 4,860 | 2,700 | 1,690 |
| R*H250E44** | CS14K6E | 19,700 | 17,920 | 16,160 | 12,730 | 9,510 | 6,670 | 4,300 | 3,320 |
| R*H300E44** | CS18K6E | 24,000 | 21,820 | 19,650 | 15,390 | 11,330 | 7,760 | 4,940 | 3,890 |
| R*H325E44** | CS20K6E | 31,510 | 27,670 | 24,210 | 18,310 | 13,510 | 9,460 | 5,840 | 4,080 |

110°F Ambient

| | | | | | | | | | |
|-------------|----------|--------|--------|--------|--------|--------|-------|-------|-------|
| R*H055E44** | RST45C1E | 5,380 | 4,860 | 4,360 | 3,460 | 2,660 | 1,920 | 1,220 | 880 |
| R*H080E44** | RST55C1E | 6,660 | 5,950 | 5,270 | 4,070 | 3,040 | 2,180 | 1,470 | 1,150 |
| R*H090E44** | RST64C1E | 8,060 | 7,350 | 6,660 | 5,360 | 4,150 | 3,070 | 2,130 | 1,710 |
| R*H100E44** | RST70C1E | 8,550 | 7,700 | 6,900 | 5,420 | 4,100 | 2,980 | 2,060 | 1,660 |
| R*H125E44** | RST97C1E | 11,630 | 10,610 | 9,610 | 7,710 | 5,960 | 4,420 | 3,140 | 2,620 |
| R*H150E44** | CS10K6E | 12,380 | 11,090 | 9,820 | 7,380 | 5,120 | 3,140 | 1,570 | 940 |
| R*H200E44** | CS12K6E | 14,610 | 12,940 | 11,360 | 8,490 | 6,000 | 3,810 | 1,900 | 1,030 |
| R*H250E44** | CS14K6E | 17,200 | 15,600 | 14,030 | 10,940 | 8,050 | 5,500 | 3,390 | 2,520 |
| R*H300E44** | CS18K6E | 20,890 | 18,940 | 16,990 | 13,110 | 9,460 | 6,290 | 3,870 | 3,000 |
| R*H325E44** | CS20K6E | 27,470 | 23,920 | 20,780 | 15,410 | 11,050 | 7,380 | 4,110 | 2,510 |

* Each asterisk represents a variable character based upon model, voltage, and vintage ordered. See page 4 for nomenclature.

‡ Multiply capacity by .83 when used with 50 Hz power.

1/2 TO 6 HP

Capacity Data (BTUH) - Extended Medium Temperature R407C Hermetic - 60 Hz[‡]

SUCTION TEMPERATURE

| MODEL | COMP. MODEL | 30°F | 25°F | 20°F | 10°F | 15°F | 5°F | 0°F |
|----------------------|-------------|--------|--------|--------|-------|-------|-------|-------|
| 90°F Ambient | | | | | | | | |
| R*H055E4S** | RST45C1E | 6,650 | 5,870 | 5,150 | 4,500 | 3,920 | 3,390 | 2,950 |
| R*H080E4S** | RST55C1E | 7,820 | 6,850 | 5,980 | 5,210 | 4,500 | 3,870 | 3,290 |
| R*H090E4S** | RST64C1E | 9,930 | 8,830 | 7,810 | 6,870 | 6,000 | 5,200 | 4,470 |
| R*H100E4S** | RST70C1E | 10,150 | 8,990 | 7,950 | 6,980 | 6,090 | 5,280 | 4,520 |
| R*H125E4S** | RST97C1E | 13,850 | 12,350 | 10,970 | 9,710 | 8,550 | 7,470 | 6,450 |
| 95°F Ambient | | | | | | | | |
| R*H055E4S** | RST45C1E | 6,400 | 5,650 | 4,950 | 4,320 | 3,750 | 3,250 | - |
| R*H080E4S** | RST55C1E | 7,550 | 6,620 | 5,780 | 5,020 | 4,340 | 3,720 | - |
| R*H090E4S** | RST64C1E | 9,540 | 8,470 | 7,490 | 6,590 | 5,760 | 4,990 | - |
| R*H100E4S** | RST70C1E | 9,780 | 8,660 | 7,650 | 6,710 | 5,860 | 5,070 | - |
| R*H125E4S** | RST97C1E | 13,350 | 11,890 | 10,560 | 9,340 | 8,210 | 7,160 | - |
| 100°F Ambient | | | | | | | | |
| R*H055E4S** | RST45C1E | 6,150 | 5,430 | 4,750 | 4,140 | 3,590 | - | - |
| R*H080E4S** | RST55C1E | 7,290 | 6,390 | 5,570 | 4,840 | 4,180 | - | - |
| R*H090E4S** | RST64C1E | 9,170 | 8,130 | 7,190 | 6,330 | 5,510 | - | - |
| R*H100E4S** | RST70C1E | 9,410 | 8,330 | 7,360 | 6,460 | 5,620 | - | - |
| R*H125E4S** | RST97C1E | 12,860 | 11,460 | 10,170 | 8,990 | 7,890 | - | - |
| 110°F Ambient | | | | | | | | |
| R*H055E4S** | RST45C1E | 5,690 | 5,010 | 4,370 | 3,800 | 3,270 | - | - |
| R*H080E4S** | RST55C1E | 6,770 | 5,940 | 5,180 | 4,490 | 3,870 | - | - |
| R*H090E4S** | RST64C1E | 8,420 | 7,470 | 6,600 | 5,790 | 5,050 | - | - |
| R*H100E4S** | RST70C1E | 8,690 | 7,680 | 6,770 | 5,930 | 5,160 | - | - |
| R*H125E4S** | RST97C1E | 11,300 | 10,420 | 9,410 | 8,290 | 7,260 | - | - |

* Each asterisk represents a variable character based upon model, voltage, and vintage ordered. See page 4 for nomenclature.

‡ Multiply capacity by .83 when used with 50 Hz power.

Hermetic compressors are not available for use with R407A.



Easy access / removable control panel door
Color-coded and numbered point-to-point wiring for easy maintenance



Quick access to shut-off valves from cabinet exterior



Replaceable core liquid and suction filters available as an option for 4 to 6 HP flooded and non-flooded models

NEXT-GEN MINICON CONDENSING UNITS

Capacity Data (BTUH) - Extended Medium Temperature R448A, R449A Hermetic - 60 Hz[‡]

SUCTION TEMPERATURE

| MODEL | COMP. MODEL | 30°F | 25°F | 20°F | 10°F | 15°F | 5°F | 0°F |
|-------|-------------|------|------|------|------|------|-----|-----|
|-------|-------------|------|------|------|------|------|-----|-----|

90°F Ambient

| | | | | | | | | |
|-------------|----------|--------|--------|--------|-------|-------|-------|-------|
| R*H055E4S** | RST45C1E | 6,890 | 6,060 | 5,310 | 4,640 | 4,030 | 3,480 | 3,000 |
| R*H080E4S** | RST55C1E | 8,550 | 7,460 | 6,480 | 5,590 | 4,800 | 4,100 | 3,490 |
| R*H090E4S** | RST64C1E | 9,300 | 8,260 | 7,320 | 6,470 | 5,690 | 4,990 | 4,370 |
| R*H100E4S** | RST70C1E | 9,970 | 8,940 | 7,990 | 7,080 | 6,240 | 5,450 | 4,720 |
| R*H125E4S** | RST97C1E | 13,460 | 12,240 | 11,060 | 9,930 | 8,860 | 7,840 | 6,870 |

95°F Ambient

| | | | | | | | | |
|-------------|----------|--------|--------|--------|-------|-------|-------|-------|
| R*H055E4S** | RST45C1E | 6,600 | 5,800 | 5,080 | 4,420 | 3,840 | 3,320 | 2,850 |
| R*H080E4S** | RST55C1E | 8,160 | 7,120 | 6,160 | 5,300 | 4,540 | 3,870 | 3,290 |
| R*H090E4S** | RST64C1E | 8,930 | 7,920 | 7,020 | 6,200 | 5,460 | 4,790 | 4,180 |
| R*H100E4S** | RST70C1E | 9,600 | 8,600 | 7,680 | 6,810 | 5,990 | 5,230 | 4,520 |
| R*H125E4S** | RST97C1E | 12,990 | 11,790 | 10,650 | 9,550 | 8,500 | 7,510 | 6,570 |

100°F Ambient

| | | | | | | | | |
|-------------|----------|--------|--------|--------|-------|-------|-------|-------|
| R*H055E4S** | RST45C1E | 6,300 | 5,540 | 4,840 | 4,220 | 3,650 | 3,150 | 2,700 |
| R*H080E4S** | RST55C1E | 7,800 | 6,780 | 5,860 | 5,030 | 4,300 | 3,650 | 3,100 |
| R*H090E4S** | RST64C1E | 8,570 | 7,600 | 6,730 | 5,950 | 5,230 | 4,580 | 4,010 |
| R*H100E4S** | RST70C1E | 9,230 | 8,280 | 7,380 | 6,540 | 5,740 | 5,000 | 4,310 |
| R*H125E4S** | RST97C1E | 12,520 | 11,360 | 10,250 | 9,180 | 8,150 | 7,180 | 6,260 |

110°F Ambient

| | | | | | | | | |
|-------------|----------|--------|--------|-------|-------|-------|---|---|
| R*H055E4S** | RST45C1E | 5,740 | 5,040 | 4,390 | 3,810 | 3,290 | — | — |
| R*H080E4S** | RST55C1E | 7,100 | 6,170 | 5,310 | 4,550 | 3,860 | — | — |
| R*H090E4S** | RST64C1E | 7,880 | 6,980 | 6,170 | 5,450 | 4,790 | — | — |
| R*H100E4S** | RST70C1E | 8,520 | 7,620 | 6,790 | 5,990 | 5,250 | — | — |
| R*H125E4S** | RST97C1E | 11,620 | 10,510 | 9,450 | 8,430 | 7,460 | — | — |

* Each asterisk represents a variable character based upon model, voltage, and vintage ordered. See page 4 for nomenclature.

‡ Multiply capacity by .83 when used with 50 Hz power.



Next-Gen MiniCon Condensing Units provide a complete refrigeration solution for small to medium walk-ins when combined with Russell's low profile unit coolers.

1/2 TO 6 HP

Capacity Data (BTUH) - Extended Medium Temperature R404A Scroll - 60 Hz[‡]

SUCTION TEMPERATURE

| MODEL | COMP. MODEL | 45°F | 35°F | 25°F | 20°F | 0°F | -10°F | -20°F | -25°F |
|----------------------|-------------|--------|--------|--------|--------|--------|--------|--------|--------|
| 90°F Ambient | | | | | | | | | |
| R*O060M4S**^ | ZB06KAE | 11,130 | 9,070 | 7,350 | 6,600 | 4,150 | - | - | - |
| R*O080M4S**^ | ZB07KAE | 13,770 | 11,230 | 9,100 | 8,170 | 5,130 | - | - | - |
| R*O100M4S**^ | ZB08KAE | 15,730 | 12,830 | 10,400 | 9,340 | 5,870 | - | - | - |
| R*O130E4S** | ZS09KAE | 15,160 | 13,430 | 11,130 | 10,110 | 6,690 | 5,330 | 4,210 | 3,720 |
| R*O150E4S** | ZS11KAE | 20,650 | 17,210 | 14,270 | 12,910 | 8,410 | 6,670 | 5,230 | 4,620 |
| R*O180E4S** | ZS13KAE | 22,860 | 19,050 | 15,990 | 14,490 | 9,500 | 7,560 | 5,950 | 5,250 |
| R*O200E4S** | ZS15KAE | 29,910 | 24,810 | 20,050 | 18,100 | 11,660 | 9,230 | 7,240 | 6,380 |
| R*O250E4S** | ZS19KAE | 33,590 | 27,960 | 21,960 | 19,880 | 12,930 | 10,250 | 8,050 | 7,100 |
| R*O300E4S** | ZS21KAE | 43,440 | 36,150 | 30,480 | 27,480 | 17,700 | 13,980 | 10,940 | 9,640 |
| R*O350E4S** | ZS26KAE | 48,350 | 40,330 | 33,600 | 30,320 | 19,590 | 15,520 | 12,150 | 10,710 |
| R*O400E4S** | ZS29KAE | 54,010 | 45,140 | 37,710 | 34,070 | 22,120 | 17,560 | 13,790 | 12,170 |
| R*O450E4S** | ZS33KAE | 60,720 | 50,610 | 42,490 | 38,310 | 24,660 | 19,460 | 15,220 | 13,410 |
| R*O500E4S** | ZS38K4E | 68,320 | 56,840 | 46,660 | 42,420 | 28,260 | 22,680 | 17,950 | 15,880 |
| R*O600E4S** | ZS45K4E | 80,860 | 67,300 | 55,630 | 50,700 | 34,240 | 27,730 | 22,150 | 19,660 |
| 95°F Ambient | | | | | | | | | |
| R*O060M4S**^ | ZB06KAE | 10,570 | 8,630 | 7,010 | 6,290 | 3,940 | - | - | - |
| R*O080M4S**^ | ZB07KAE | 13,080 | 10,680 | 8,670 | 7,790 | 4,870 | - | - | - |
| R*O100M4S**^ | ZB08KAE | 14,950 | 12,210 | 9,910 | 8,900 | 5,580 | - | - | - |
| R*O130E4S** | ZS09KAE | 14,500 | 12,850 | 10,640 | 9,670 | 6,400 | 5,110 | 4,040 | 3,570 |
| R*O150E4S** | ZS11KAE | 19,800 | 16,500 | 13,690 | 12,380 | 8,060 | 6,400 | 5,030 | 4,440 |
| R*O180E4S** | ZS13KAE | 21,900 | 18,250 | 15,320 | 13,880 | 9,100 | 7,250 | 5,710 | 5,050 |
| R*O200E4S** | ZS15KAE | 28,700 | 23,800 | 19,230 | 17,350 | 11,190 | 8,860 | 6,950 | 6,140 |
| R*O250E4S** | ZS19KAE | 32,200 | 26,800 | 21,060 | 19,060 | 12,400 | 9,830 | 7,730 | 6,830 |
| R*O300E4S** | ZS21KAE | 41,700 | 34,700 | 29,260 | 26,370 | 16,970 | 13,410 | 10,500 | 9,270 |
| R*O350E4S** | ZS26KAE | 46,400 | 38,700 | 32,240 | 29,080 | 18,790 | 14,890 | 11,670 | 10,300 |
| R*O400E4S** | ZS29KAE | 51,800 | 43,300 | 36,160 | 32,670 | 21,210 | 16,840 | 13,240 | 11,700 |
| R*O450E4S** | ZS33KAE | 58,300 | 48,600 | 40,790 | 36,760 | 23,650 | 18,670 | 14,620 | 12,890 |
| R*O500E4S** | ZS38K4E | 65,500 | 54,500 | 44,710 | 40,630 | 27,030 | 21,700 | 17,190 | 15,230 |
| R*O600E4S** | ZS45K4E | 77,500 | 64,500 | 53,280 | 48,530 | 32,730 | 26,520 | 21,230 | 18,880 |
| 100°F Ambient | | | | | | | | | |
| R*O060M4S**^ | ZB06KAE | - | 8,200 | 6,670 | 5,990 | 3,740 | - | - | - |
| R*O080M4S**^ | ZB07KAE | - | 10,150 | 8,250 | 7,420 | 4,630 | - | - | - |
| R*O100M4S**^ | ZB08KAE | - | 11,600 | 9,430 | 8,480 | 5,300 | - | - | - |
| R*O130E4S** | ZS09KAE | - | 12,260 | 10,150 | 9,220 | 6,110 | 4,880 | 3,860 | 3,420 |
| R*O150E4S** | ZS11KAE | - | 15,780 | 13,080 | 11,830 | 7,710 | 6,120 | 4,810 | 4,260 |
| R*O180E4S** | ZS13KAE | - | 17,430 | 14,640 | 13,260 | 8,690 | 6,930 | 5,470 | 4,840 |
| R*O200E4S** | ZS15KAE | - | 22,760 | 18,400 | 16,600 | 10,700 | 8,480 | 6,660 | 5,890 |
| R*O250E4S** | ZS19KAE | - | 25,630 | 20,130 | 18,220 | 11,860 | 9,410 | 7,400 | 6,550 |
| R*O300E4S** | ZS21KAE | - | 33,220 | 28,000 | 25,240 | 16,230 | 12,830 | 10,060 | 8,890 |
| R*O350E4S** | ZS26KAE | - | 37,050 | 30,850 | 27,830 | 17,970 | 14,240 | 11,180 | 9,870 |
| R*O400E4S** | ZS29KAE | - | 41,420 | 34,580 | 31,240 | 20,270 | 16,110 | 12,680 | 11,210 |
| R*O450E4S** | ZS33KAE | - | 46,540 | 39,050 | 35,190 | 22,630 | 17,870 | 14,010 | 12,370 |
| R*O500E4S** | ZS38K4E | - | 52,120 | 42,740 | 38,820 | 25,790 | 20,700 | 16,410 | 14,540 |
| R*O600E4S** | ZS45K4E | - | 61,650 | 50,900 | 46,350 | 31,220 | 25,300 | 20,290 | 18,070 |
| 110°F Ambient | | | | | | | | | |
| R*O060M4S**^ | ZB06KAE | - | 7,400 | 6,050 | 5,450 | 3,400 | - | - | - |
| R*O080M4S**^ | ZB07KAE | - | 9,150 | 7,480 | 6,740 | 4,210 | - | - | - |
| R*O100M4S**^ | ZB08KAE | - | 10,470 | 8,560 | 7,720 | 4,820 | - | - | - |
| R*O130E4S** | ZS09KAE | - | - | 9,120 | 8,290 | 5,500 | 4,390 | 3,480 | 3,090 |
| R*O150E4S** | ZS11KAE | - | 13,660 | 11,840 | 10,700 | 6,960 | 5,540 | 4,370 | 3,870 |
| R*O180E4S** | ZS13KAE | - | 15,030 | 13,220 | 11,970 | 7,840 | 6,260 | 4,950 | 4,390 |
| R*O200E4S** | ZS15KAE | - | 19,740 | 16,680 | 15,040 | 9,700 | 7,680 | 6,050 | 5,350 |
| R*O250E4S** | ZS19KAE | - | 22,200 | 18,220 | 16,480 | 10,720 | 8,510 | 6,710 | 5,950 |
| R*O300E4S** | ZS21KAE | - | 28,890 | 25,420 | 22,890 | 14,700 | 11,630 | 9,140 | 8,090 |
| R*O350E4S** | ZS26KAE | - | 32,190 | 27,990 | 25,220 | 16,260 | 12,890 | 10,140 | 8,970 |
| R*O400E4S** | ZS29KAE | - | 35,910 | 31,330 | 28,280 | 18,330 | 14,560 | 11,500 | 10,180 |
| R*O450E4S** | ZS33KAE | - | 40,500 | 35,450 | 31,930 | 20,490 | 16,200 | 12,720 | 11,250 |
| R*O500E4S** | ZS38K4E | - | 45,230 | 38,740 | 35,140 | 23,240 | 18,630 | 14,770 | 13,100 |
| R*O600E4S** | ZS45K4E | - | 53,410 | 46,090 | 41,930 | 28,140 | 22,810 | 18,340 | 16,390 |

* Each asterisk represents a variable character based upon model, voltage, and vintage ordered. See page 4 for nomenclature.

‡ Multiply capacity by .83 when used with 50 Hz power.

^ Model available in medium temperature range only.

NEXT-GEN MINICON CONDENSING UNITS

Capacity Data (BTUH) - Extended Medium Temperature R407A Scroll - 60 Hz[‡]

SUCTION TEMPERATURE

| MODEL | COMP. MODEL | 45°F | 35°F | 30°F | 25°F | 20°F | 0°F | -5°F | -10°F |
|----------------------|-------------|--------|--------|--------|--------|--------|--------|--------|--------|
| 90°F Ambient | | | | | | | | | |
| R*O060M4S**^ | ZB06KAE | 10,370 | 8,400 | 7,540 | 6,740 | 6,010 | 3,620 | - | - |
| R*O080M4S**^ | ZB07KAE | 12,640 | 10,240 | 9,190 | 8,220 | 7,330 | 4,410 | - | - |
| R*O100M4S**^ | ZB08KAE | 14,790 | 11,980 | 10,750 | 9,610 | 8,570 | 5,160 | - | - |
| R*O130E4S** | ZS09KAE | 16,150 | 13,120 | 11,650 | 10,590 | 9,610 | 6,380 | 5,700 | 5,070 |
| R*O150E4S** | ZS11KAE | 19,970 | 16,220 | 14,570 | 13,210 | 11,960 | 7,850 | 7,000 | 6,210 |
| R*O180E4S** | ZS13KAE | 22,440 | 18,270 | 16,420 | 14,900 | 13,510 | 8,920 | 7,960 | 7,070 |
| R*O200E4S** | ZS15KAE | 27,410 | 22,310 | 20,240 | 18,320 | 16,560 | 10,850 | 9,680 | 8,580 |
| R*O250E4S** | ZS19KAE | 30,560 | 24,830 | 22,610 | 20,490 | 18,540 | 12,180 | 10,870 | 9,640 |
| R*O300E4S** | ZS21KAE | 41,460 | 33,750 | 30,570 | 27,640 | 24,960 | 16,290 | 14,520 | 12,860 |
| R*O350E4S** | ZS26KAE | 46,680 | 37,930 | 33,770 | 30,560 | 27,620 | 18,060 | 16,110 | 14,270 |
| R*O400E4S** | ZS29KAE | 51,300 | 41,700 | 37,530 | 33,990 | 30,740 | 20,160 | 17,990 | 15,950 |
| R*O450E4S** | ZS33KAE | 59,050 | 48,010 | 43,300 | 39,160 | 35,350 | 23,070 | 20,560 | 18,220 |
| R*O500E4S** | ZS38K4E | 62,790 | 52,670 | 48,900 | 44,200 | 39,700 | 25,620 | 22,960 | 20,430 |
| R*O600E4S** | ZS45K4E | 71,990 | 59,580 | 51,310 | 47,590 | 43,900 | 29,890 | 26,730 | 23,770 |
| 95°F Ambient | | | | | | | | | |
| R*O060M4S**^ | ZB06KAE | 10,010 | 8,110 | 7,270 | 6,500 | 5,790 | 3,440 | - | - |
| R*O080M4S**^ | ZB07KAE | 12,210 | 9,890 | 8,870 | 7,930 | 7,070 | 4,200 | - | - |
| R*O100M4S**^ | ZB08KAE | 14,280 | 11,570 | 10,370 | 9,270 | 8,260 | 4,910 | - | - |
| R*O130E4S** | ZS09KAE | 15,450 | 12,550 | 11,230 | 10,220 | 9,270 | 6,140 | 5,490 | 4,880 |
| R*O150E4S** | ZS11KAE | 19,150 | 15,550 | 14,070 | 12,750 | 11,540 | 7,560 | 6,740 | 5,970 |
| R*O180E4S** | ZS13KAE | 21,500 | 17,500 | 15,850 | 14,390 | 13,040 | 8,590 | 7,670 | 6,800 |
| R*O200E4S** | ZS15KAE | 26,300 | 21,400 | 19,560 | 17,700 | 15,990 | 10,460 | 9,330 | 8,260 |
| R*O250E4S** | ZS19KAE | 29,300 | 23,800 | 21,850 | 19,800 | 17,900 | 11,740 | 10,470 | 9,280 |
| R*O300E4S** | ZS21KAE | 39,800 | 32,400 | 29,550 | 26,710 | 24,110 | 15,700 | 13,990 | 12,380 |
| R*O350E4S** | ZS26KAE | 44,800 | 36,400 | 32,640 | 29,520 | 26,670 | 17,410 | 15,510 | 13,740 |
| R*O400E4S** | ZS29KAE | 49,200 | 40,000 | 36,260 | 32,840 | 29,680 | 19,430 | 17,330 | 15,360 |
| R*O450E4S** | ZS33KAE | 56,700 | 46,100 | 41,850 | 37,840 | 34,150 | 22,240 | 19,810 | 17,540 |
| R*O500E4S** | ZS38K4E | 60,200 | 50,500 | 47,200 | 42,600 | 38,200 | 24,900 | 22,300 | 19,830 |
| R*O600E4S** | ZS45K4E | 69,000 | 57,100 | 50,080 | 46,430 | 42,810 | 29,100 | 26,010 | 23,120 |
| 100°F Ambient | | | | | | | | | |
| R*O060M4S**^ | ZB06KAE | - | 7,820 | 7,010 | 6,260 | 5,570 | 3,260 | - | - |
| R*O080M4S**^ | ZB07KAE | - | 9,540 | 8,550 | 7,640 | 6,800 | 3,980 | - | - |
| R*O100M4S**^ | ZB08KAE | - | 11,150 | 10,000 | 8,930 | 7,940 | 4,650 | - | - |
| R*O130E4S** | ZS09KAE | - | 11,970 | 10,820 | 9,850 | 8,930 | 5,910 | 5,280 | 4,680 |
| R*O150E4S** | ZS11KAE | - | 14,870 | 13,560 | 12,290 | 11,120 | 7,270 | 6,480 | 5,740 |
| R*O180E4S** | ZS13KAE | - | 16,710 | 15,280 | 13,860 | 12,560 | 8,270 | 7,370 | 6,530 |
| R*O200E4S** | ZS15KAE | - | 20,460 | 18,880 | 17,080 | 15,420 | 10,070 | 8,970 | 7,940 |
| R*O250E4S** | ZS19KAE | - | 22,760 | 21,080 | 19,100 | 17,260 | 11,300 | 10,080 | 8,920 |
| R*O300E4S** | ZS21KAE | - | 31,020 | 28,510 | 25,760 | 23,250 | 15,110 | 13,460 | 11,900 |
| R*O350E4S** | ZS26KAE | - | 34,850 | 31,490 | 28,470 | 25,720 | 16,750 | 14,920 | 13,200 |
| R*O400E4S** | ZS29KAE | - | 38,270 | 34,970 | 31,660 | 28,610 | 18,710 | 16,670 | 14,760 |
| R*O450E4S** | ZS33KAE | - | 44,150 | 40,390 | 36,500 | 32,940 | 21,400 | 19,050 | 16,860 |
| R*O500E4S** | ZS38K4E | - | 48,300 | 45,600 | 41,100 | 36,800 | 24,150 | 21,620 | 19,220 |
| R*O600E4S** | ZS45K4E | - | 54,580 | 48,840 | 45,270 | 41,720 | 28,310 | 25,280 | 22,450 |
| 110°F Ambient | | | | | | | | | |
| R*O060M4S**^ | ZB06KAE | - | 7,230 | 6,470 | 5,760 | 5,110 | 2,860 | - | - |
| R*O080M4S**^ | ZB07KAE | - | 8,810 | 7,890 | 7,030 | 6,230 | 3,490 | - | - |
| R*O100M4S**^ | ZB08KAE | - | 10,300 | 9,220 | 8,210 | 7,280 | 4,080 | - | - |
| R*O130E4S** | ZS09KAE | - | - | 9,990 | 9,090 | 8,250 | 5,440 | - | - |
| R*O150E4S** | ZS11KAE | - | 12,870 | 12,540 | 11,360 | 10,270 | 6,700 | - | - |
| R*O180E4S** | ZS13KAE | - | 14,410 | 14,120 | 12,810 | 11,600 | 7,620 | - | - |
| R*O200E4S** | ZS15KAE | - | 17,750 | 17,490 | 15,810 | 14,270 | 9,280 | - | - |
| R*O250E4S** | ZS19KAE | - | 19,710 | 19,530 | 17,690 | 15,980 | 10,430 | - | - |
| R*O300E4S** | ZS21KAE | - | 26,980 | 26,420 | 23,850 | 21,510 | 13,930 | - | - |
| R*O350E4S** | ZS26KAE | - | 30,270 | 29,160 | 26,350 | 23,780 | 15,440 | - | - |
| R*O400E4S** | ZS29KAE | - | 33,180 | 32,370 | 29,290 | 26,460 | 17,250 | - | - |
| R*O450E4S** | ZS33KAE | - | 38,420 | 37,420 | 33,790 | 30,480 | 19,730 | - | - |
| R*O500E4S** | ZS38K4E | - | 44,190 | 43,900 | 39,500 | 35,300 | 22,640 | - | - |
| R*O600E4S** | ZS45K4E | - | 47,280 | 46,310 | 42,880 | 39,480 | 26,670 | - | - |

* Each asterisk represents a variable character based upon model, voltage, and vintage ordered. See page 4 for nomenclature.

‡ Multiply capacity by .83 when used with 50 Hz power.

^ Model available in medium temperature range only.

20°F Superheat Maximum

1/2 TO 6 HP

Capacity Data (BTUH) - Extended Medium Temperature R407C Scroll - 60 Hz[‡]

SUCTION TEMPERATURE

| MODEL | COMP. MODEL | 45°F | 35°F | 30°F | 25°F | 20°F | 0°F | -5°F | -10°F |
|----------------------|-------------|--------|--------|--------|--------|--------|--------|--------|--------|
| 90°F Ambient | | | | | | | | | |
| R*O060M4S***^ | ZB06KAE | 10,250 | 8,300 | 7,430 | 6,630 | 5,890 | 3,430 | – | – |
| R*O080M4S***^ | ZB07KAE | 12,200 | 9,930 | 8,900 | 7,950 | 7,070 | 4,170 | – | – |
| R*O100M4S***^ | ZB08KAE | 14,200 | 11,450 | 10,250 | 9,170 | 8,170 | 4,880 | – | – |
| R*O130E4S** | ZS09KAE | 15,350 | 12,700 | 11,150 | 10,120 | 9,130 | 5,520 | 4,690 | 3,890 |
| R*O150E4S** | ZS11KAE | 18,980 | 15,700 | 13,950 | 12,630 | 11,360 | 6,790 | 5,760 | 4,760 |
| R*O180E4S** | ZS13KAE | 21,330 | 17,680 | 15,720 | 14,240 | 12,840 | 7,720 | 6,550 | 5,420 |
| R*O200E4S** | ZS15KAE | 26,050 | 21,590 | 19,380 | 17,510 | 15,740 | 9,390 | 7,960 | 6,580 |
| R*O250E4S** | ZS19KAE | 29,050 | 24,030 | 21,650 | 19,590 | 17,620 | 10,540 | 8,940 | 7,390 |
| R*O300E4S** | ZS21KAE | 40,110 | 33,250 | 29,790 | 26,900 | 24,140 | 14,350 | 12,150 | 10,030 |
| R*O350E4S** | ZS26KAE | 44,680 | 36,840 | 32,550 | 29,520 | 26,660 | 16,460 | 14,090 | 11,720 |
| R*O400E4S** | ZS29KAE | 49,540 | 41,010 | 36,510 | 33,020 | 29,680 | 17,730 | 15,030 | 12,420 |
| R*O450E4S** | ZS33KAE | 55,630 | 46,060 | 41,100 | 37,110 | 33,300 | 19,790 | 16,760 | 13,840 |
| R*O500E4S** | ZS38K4E | 62,630 | 52,540 | 48,780 | 44,090 | 39,600 | 25,560 | 22,900 | 20,380 |
| R*O600E4S** | ZS45K4E | 71,810 | 59,430 | 51,180 | 47,470 | 43,790 | 29,820 | 26,660 | 23,710 |
| 95°F Ambient | | | | | | | | | |
| R*O060M4S***^ | ZB06KAE | 9,910 | 8,020 | 7,180 | 6,400 | 5,690 | 3,300 | – | – |
| R*O080M4S***^ | ZB07KAE | 11,750 | 9,580 | 8,590 | 7,670 | 6,820 | 4,010 | – | – |
| R*O100M4S***^ | ZB08KAE | 13,650 | 11,050 | 9,880 | 8,830 | 7,880 | 4,690 | – | – |
| R*O130E4S** | ZS09KAE | 14,770 | 12,240 | 10,830 | 9,850 | 8,880 | 5,330 | 4,500 | 3,700 |
| R*O150E4S** | ZS11KAE | 18,300 | 15,170 | 13,560 | 12,280 | 11,060 | 6,560 | 5,530 | 4,530 |
| R*O180E4S** | ZS13KAE | 20,550 | 17,070 | 15,280 | 13,860 | 12,490 | 7,450 | 6,290 | 5,150 |
| R*O200E4S** | ZS15KAE | 25,140 | 20,880 | 18,860 | 17,050 | 15,320 | 9,080 | 7,650 | 6,260 |
| R*O250E4S** | ZS19KAE | 28,010 | 23,220 | 21,060 | 19,080 | 17,150 | 10,190 | 8,590 | 7,030 |
| R*O300E4S** | ZS21KAE | 38,720 | 32,180 | 29,000 | 26,190 | 23,510 | 13,870 | 11,680 | 9,550 |
| R*O350E4S** | ZS26KAE | 43,110 | 35,610 | 31,650 | 28,700 | 25,920 | 15,880 | 13,510 | 11,150 |
| R*O400E4S** | ZS29KAE | 47,790 | 39,660 | 35,520 | 32,150 | 28,900 | 17,130 | 14,440 | 11,830 |
| R*O450E4S** | ZS33KAE | 53,730 | 44,590 | 40,000 | 36,140 | 32,430 | 19,130 | 16,110 | 13,180 |
| R*O500E4S** | ZS38K4E | 60,050 | 50,370 | 47,080 | 42,490 | 38,110 | 24,840 | 22,240 | 19,780 |
| R*O600E4S** | ZS45K4E | 68,830 | 56,960 | 49,960 | 46,310 | 42,700 | 29,030 | 25,950 | 23,060 |
| 100°F Ambient | | | | | | | | | |
| R*O060M4S***^ | ZB06KAE | – | 7,740 | 6,930 | 6,180 | 5,490 | 3,170 | – | – |
| R*O080M4S***^ | ZB07KAE | – | 9,230 | 8,280 | 7,400 | 6,580 | 3,850 | – | – |
| R*O100M4S***^ | ZB08KAE | – | 10,780 | 9,680 | 8,660 | 7,690 | 4,500 | – | – |
| R*O130E4S** | ZS09KAE | – | 11,680 | 10,520 | 9,570 | 8,630 | 5,130 | 4,300 | 3,490 |
| R*O150E4S** | ZS11KAE | – | 14,510 | 13,180 | 11,940 | 10,750 | 6,310 | 5,280 | 4,280 |
| R*O180E4S** | ZS13KAE | – | 16,300 | 14,850 | 13,470 | 12,140 | 7,180 | 6,010 | 4,860 |
| R*O200E4S** | ZS15KAE | – | 19,970 | 18,350 | 16,600 | 14,900 | 8,740 | 7,310 | 5,910 |
| R*O250E4S** | ZS19KAE | – | 22,210 | 20,490 | 18,560 | 16,680 | 9,810 | 8,210 | 6,640 |
| R*O300E4S** | ZS21KAE | – | 30,800 | 28,200 | 25,480 | 22,870 | 13,350 | 11,170 | 9,020 |
| R*O350E4S** | ZS26KAE | – | 34,090 | 30,740 | 27,880 | 25,170 | 15,270 | 12,900 | 10,520 |
| R*O400E4S** | ZS29KAE | – | 37,940 | 34,540 | 31,260 | 28,100 | 16,500 | 13,810 | 11,170 |
| R*O450E4S** | ZS33KAE | – | 42,700 | 38,910 | 35,160 | 31,560 | 18,410 | 15,390 | 12,450 |
| R*O500E4S** | ZS38K4E | – | 48,180 | 45,490 | 41,000 | 36,710 | 24,090 | 21,570 | 19,170 |
| R*O600E4S** | ZS45K4E | – | 54,440 | 48,720 | 45,160 | 41,620 | 28,240 | 25,220 | 22,390 |
| 110°F Ambient | | | | | | | | | |
| R*O060M4S***^ | ZB06KAE | – | 7,180 | 6,430 | 5,740 | 5,090 | 2,900 | – | – |
| R*O080M4S***^ | ZB07KAE | – | 8,540 | 7,670 | 6,860 | 6,110 | 3,540 | – | – |
| R*O100M4S***^ | ZB08KAE | – | 9,990 | 8,970 | 8,020 | 7,140 | 4,140 | – | – |
| R*O130E4S** | ZS09KAE | – | – | 9,890 | 9,000 | 8,120 | 4,670 | – | – |
| R*O150E4S** | ZS11KAE | – | 12,110 | 12,410 | 11,250 | 10,110 | 5,760 | – | – |
| R*O180E4S** | ZS13KAE | – | 13,550 | 13,980 | 12,690 | 11,420 | 6,550 | – | – |
| R*O200E4S** | ZS15KAE | – | 16,690 | 17,320 | 15,660 | 14,040 | 7,970 | – | – |
| R*O250E4S** | ZS19KAE | – | 18,460 | 19,330 | 17,520 | 15,730 | 8,960 | – | – |
| R*O300E4S** | ZS21KAE | – | 28,560 | 26,620 | 24,040 | 21,550 | 12,180 | – | – |
| R*O350E4S** | ZS26KAE | – | 29,720 | 28,950 | 26,240 | 23,650 | 13,960 | – | – |
| R*O400E4S** | ZS29KAE | – | 35,720 | 32,560 | 29,480 | 26,460 | 15,060 | – | – |
| R*O450E4S** | ZS33KAE | – | 39,180 | 36,720 | 33,170 | 29,730 | 16,810 | – | – |
| R*O500E4S** | ZS38K4E | – | 44,180 | 43,790 | 39,400 | 35,210 | 22,580 | – | – |
| R*O600E4S** | ZS45K4E | – | 46,430 | 46,200 | 42,770 | 39,380 | 26,600 | – | – |

* Each asterisk represents a variable character based upon model, voltage, and vintage ordered. See page 4 for nomenclature.

‡ Multiply capacity by .83 when used with 50 Hz power.

^ Model available in medium temperature range only.

20°F Superheat Maximum

NEXT-GEN MINICON CONDENSING UNITS

Capacity Data (BTUH) - Extended Medium Temperature R448A, R449A Scroll - 60 Hz[‡]

SUCTION TEMPERATURE

| MODEL | COMP. MODEL | 45°F | 35°F | 30°F | 25°F | 20°F | 0°F | -5°F | -10°F |
|----------------------|-------------|--------|--------|--------|--------|--------|--------|--------|--------|
| 90°F Ambient | | | | | | | | | |
| R*O060M4S***^ | ZB06KAE | 10,450 | 8,490 | 7,620 | 6,830 | 6,090 | 3,680 | - | - |
| R*O080M4S***^ | ZB07KAE | 12,750 | 10,360 | 9,300 | 8,330 | 7,430 | 4,490 | - | - |
| R*O100M4S***^ | ZB08KAE | 14,910 | 12,110 | 10,880 | 9,740 | 8,690 | 5,250 | - | - |
| R*O130E4S** | ZS09KAE | 15,870 | 12,600 | 11,100 | 10,030 | 9,070 | 6,000 | 5,340 | 4,710 |
| R*O150E4S** | ZS11KAE | 19,740 | 15,670 | 13,960 | 12,580 | 11,350 | 7,420 | 6,600 | 5,800 |
| R*O180E4S** | ZS13KAE | 22,150 | 17,630 | 15,710 | 14,180 | 12,810 | 8,430 | 7,490 | 6,600 |
| R*O200E4S** | ZS15KAE | 27,060 | 21,530 | 19,370 | 17,440 | 15,700 | 10,250 | 9,120 | 8,010 |
| R*O250E4S** | ZS19KAE | 30,050 | 23,870 | 21,560 | 19,430 | 17,510 | 11,470 | 10,200 | 8,970 |
| R*O300E4S** | ZS21KAE | 42,610 | 35,180 | 31,920 | 28,900 | 26,060 | 16,400 | 14,380 | 12,500 |
| R*O350E4S** | ZS26KAE | 47,490 | 38,490 | 34,140 | 30,840 | 27,810 | 18,070 | 16,200 | 14,140 |
| R*O400E4S** | ZS29KAE | 53,710 | 44,280 | 39,920 | 36,200 | 32,690 | 20,680 | 18,150 | 15,800 |
| R*O450E4S** | ZS33KAE | 60,040 | 49,500 | 44,720 | 40,500 | 36,510 | 22,980 | 20,150 | 17,520 |
| R*O500E4S** | ZS38K4E | 64,350 | 53,630 | 49,760 | 45,040 | 40,590 | 27,180 | 24,660 | 22,230 |
| R*O600E4S** | ZS45K4E | 73,700 | 60,600 | 52,450 | 48,680 | 45,020 | 31,600 | 28,610 | 25,790 |
| 95°F Ambient | | | | | | | | | |
| R*O060M4S***^ | ZB06KAE | 10,080 | 8,190 | 7,350 | 6,580 | 5,860 | 3,500 | - | - |
| R*O080M4S***^ | ZB07KAE | 12,300 | 9,990 | 8,960 | 8,020 | 7,150 | 4,270 | - | - |
| R*O100M4S***^ | ZB08KAE | 14,380 | 11,680 | 10,480 | 9,380 | 8,360 | 4,990 | - | - |
| R*O130E4S** | ZS09KAE | 15,210 | 12,050 | 10,700 | 9,680 | 8,750 | 5,820 | 5,210 | 4,630 |
| R*O150E4S** | ZS11KAE | 18,960 | 15,020 | 13,480 | 12,140 | 10,950 | 7,210 | 6,440 | 5,690 |
| R*O180E4S** | ZS13KAE | 21,260 | 16,880 | 15,170 | 13,690 | 12,360 | 8,180 | 7,320 | 6,480 |
| R*O200E4S** | ZS15KAE | 26,020 | 20,650 | 18,730 | 16,840 | 15,160 | 9,960 | 8,910 | 7,870 |
| R*O250E4S** | ZS19KAE | 28,880 | 22,880 | 20,840 | 18,770 | 16,900 | 11,140 | 9,950 | 8,810 |
| R*O300E4S** | ZS21KAE | 40,980 | 33,840 | 30,910 | 27,960 | 25,190 | 15,690 | 13,700 | 11,830 |
| R*O350E4S** | ZS26KAE | 45,770 | 36,940 | 33,020 | 29,760 | 26,770 | 17,270 | 15,460 | 13,370 |
| R*O400E4S** | ZS29KAE | 51,620 | 42,560 | 38,640 | 35,030 | 31,590 | 19,790 | 17,290 | 14,950 |
| R*O450E4S** | ZS33KAE | 57,760 | 47,620 | 43,310 | 39,190 | 35,290 | 21,990 | 19,190 | 16,580 |
| R*O500E4S** | ZS38K4E | 61,270 | 51,090 | 47,730 | 43,160 | 38,850 | 26,370 | 23,930 | 21,570 |
| R*O600E4S** | ZS45K4E | 70,140 | 57,700 | 50,910 | 47,250 | 43,700 | 30,710 | 27,810 | 25,080 |
| 100°F Ambient | | | | | | | | | |
| R*O060M4S***^ | ZB06KAE | - | 7,880 | 7,070 | 6,320 | 5,630 | 3,310 | - | - |
| R*O080M4S***^ | ZB07KAE | - | 9,620 | 8,630 | 7,710 | 6,870 | 4,040 | - | - |
| R*O100M4S***^ | ZB08KAE | - | 11,240 | 10,090 | 9,020 | 8,030 | 4,720 | - | - |
| R*O130E4S** | ZS09KAE | - | 11,460 | 10,290 | 9,310 | 8,400 | 5,630 | 5,070 | 4,520 |
| R*O150E4S** | ZS11KAE | - | 14,320 | 12,970 | 11,680 | 10,530 | 6,970 | 6,250 | 5,570 |
| R*O180E4S** | ZS13KAE | - | 16,080 | 14,600 | 13,150 | 11,870 | 7,920 | 7,110 | 6,330 |
| R*O200E4S** | ZS15KAE | - | 19,690 | 18,050 | 16,220 | 14,580 | 9,640 | 8,650 | 7,700 |
| R*O250E4S** | ZS19KAE | - | 21,820 | 20,070 | 18,060 | 16,260 | 10,780 | 9,680 | 8,620 |
| R*O300E4S** | ZS21KAE | - | 32,440 | 29,870 | 26,990 | 24,280 | 14,940 | 12,960 | 11,100 |
| R*O350E4S** | ZS26KAE | - | 35,230 | 31,790 | 28,560 | 25,620 | 16,350 | 14,620 | 12,550 |
| R*O400E4S** | ZS29KAE | - | 40,770 | 37,330 | 33,800 | 30,440 | 18,840 | 16,360 | 14,030 |
| R*O450E4S** | ZS33KAE | - | 45,680 | 41,860 | 37,840 | 34,030 | 20,920 | 18,150 | 15,560 |
| R*O500E4S** | ZS38K4E | - | 48,490 | 45,780 | 41,340 | 37,180 | 25,500 | 23,140 | 20,870 |
| R*O600E4S** | ZS45K4E | - | 54,730 | 49,330 | 45,790 | 42,350 | 29,790 | 26,980 | 24,330 |
| 110°F Ambient | | | | | | | | | |
| R*O060M4S***^ | ZB06KAE | - | 7,260 | 6,500 | 5,800 | 5,140 | 2,910 | - | - |
| R*O080M4S***^ | ZB07KAE | - | 8,860 | 7,930 | 7,070 | 6,270 | 3,550 | - | - |
| R*O100M4S***^ | ZB08KAE | - | 10,360 | 9,270 | 8,270 | 7,330 | 4,150 | - | - |
| R*O130E4S** | ZS09KAE | - | - | 9,390 | 8,460 | 7,640 | 5,160 | - | - |
| R*O150E4S** | ZS11KAE | - | 12,180 | 11,850 | 10,630 | 9,560 | 6,390 | - | - |
| R*O180E4S** | ZS13KAE | - | 13,630 | 13,330 | 11,980 | 10,790 | 7,250 | - | - |
| R*O200E4S** | ZS15KAE | - | 16,790 | 16,510 | 14,790 | 13,270 | 8,840 | - | - |
| R*O250E4S** | ZS19KAE | - | 18,570 | 18,370 | 16,480 | 14,800 | 9,890 | - | - |
| R*O300E4S** | ZS21KAE | - | 28,220 | 27,700 | 24,950 | 22,340 | 13,250 | - | - |
| R*O350E4S** | ZS26KAE | - | 29,840 | 28,860 | 25,710 | 22,850 | 14,040 | - | - |
| R*O400E4S** | ZS29KAE | - | 35,360 | 34,570 | 31,210 | 28,000 | 16,710 | - | - |
| R*O450E4S** | ZS33KAE | - | 39,760 | 38,810 | 34,960 | 31,320 | 18,560 | - | - |
| R*O500E4S** | ZS38K4E | - | 42,350 | 41,920 | 36,460 | 34,000 | 23,650 | - | - |
| R*O600E4S** | ZS45K4E | - | 46,550 | 46,050 | 42,720 | 39,510 | 27,820 | - | - |

* Each asterisk represents a variable character based upon model, voltage, and vintage ordered. See page 4 for nomenclature.

‡ Multiply capacity by .83 when used with 50 Hz power.

^ Model available in medium temperature range only.

20°F Superheat Maximum

1/2 TO 6 HP

Capacity Data (BTUH) - Low Temperature R404A Hermetic - 60 Hz[‡]

SUCTION TEMPERATURE

| MODEL | COMP. MODEL | 0°F | -5°F | -10°F | -15°F | -20°F | -25°F | -30°F |
|--------------------------|-------------|--------|--------|--------|--------|--------|-------|-------|
| 90°F Ambient | | | | | | | | |
| R*H100L44** | CF04K6E | 6,450 | 5,490 | 4,640 | 3,880 | 3,170 | 2,500 | 1,850 |
| R*H150L44** | CF06K6E | 10,120 | 8,920 | 7,750 | 6,600 | 5,480 | 4,440 | 3,480 |
| R*H200L44** | CF09K6E | 15,650 | 13,810 | 11,990 | 10,250 | 8,580 | 7,000 | 5,530 |
| R*H300L44** | CF12K6E | 20,270 | 18,020 | 15,830 | 13,690 | 11,620 | 9,600 | 7,630 |
| R*H055E44** [^] | RST45C1E | 3,390 | 2,940 | 2,520 | 2,100 | 1,700 | 1,310 | — |
| R*H080E44** [^] | RST55C1E | 3,960 | 3,420 | 2,930 | 2,480 | 2,070 | 1,690 | — |
| R*H090E44** [^] | RST64C1E | 5,250 | 4,590 | 3,980 | 3,400 | 2,870 | 2,370 | — |
| R*H100E44** [^] | RST70C1E | 5,250 | 4,560 | 3,920 | 3,350 | 2,830 | 2,360 | — |
| R*H125E44** [^] | RST97C1E | 7,640 | 6,690 | 5,820 | 5,020 | 4,300 | 3,680 | — |
| R*H150E44** [^] | CS10K6E | 7,530 | 6,270 | 5,110 | 4,050 | 3,130 | 2,340 | — |
| R*H200E44** [^] | CS12K6E | 8,640 | 7,270 | 5,970 | 4,750 | 3,580 | 2,470 | — |
| R*H250E44** [^] | CS14K6E | 10,980 | 9,350 | 7,840 | 6,460 | 5,230 | 4,150 | — |
| R*H300E44** [^] | CS18K6E | 13,300 | 11,240 | 9,330 | 7,610 | 6,120 | 4,890 | — |
| R*H325E44** [^] | CS20K6E | 16,050 | 13,740 | 11,600 | 9,580 | 7,610 | 5,670 | — |
| 95°F Ambient | | | | | | | | |
| R*H100L44** | CF04K6E | 5,920 | 5,000 | 4,210 | 3,490 | 2,830 | 2,200 | 1,580 |
| R*H150L44** | CF06K6E | 9,470 | 8,320 | 7,200 | 6,090 | 5,030 | 4,030 | 3,130 |
| R*H200L44** | CF09K6E | 14,690 | 12,910 | 11,180 | 9,510 | 7,920 | 6,420 | 5,030 |
| R*H300L44** | CF12K6E | 19,040 | 16,890 | 14,800 | 12,760 | 10,780 | 8,840 | 6,950 |
| R*H055E44** [^] | RST45C1E | 3,210 | 2,780 | 2,370 | 1,970 | 1,580 | 1,200 | — |
| R*H080E44** [^] | RST55C1E | 3,720 | 3,200 | 2,730 | 2,300 | 1,900 | 1,540 | — |
| R*H090E44** [^] | RST64C1E | 4,970 | 4,340 | 3,740 | 3,190 | 2,670 | 2,200 | — |
| R*H100E44** [^] | RST70C1E | 4,970 | 4,310 | 3,690 | 3,140 | 2,640 | 2,190 | — |
| R*H125E44** [^] | RST97C1E | 7,230 | 6,320 | 5,470 | 4,710 | 4,020 | 3,420 | — |
| R*H150E44** [^] | CS10K6E | 6,920 | 5,720 | 4,610 | 3,610 | 2,740 | 1,990 | — |
| R*H200E44** [^] | CS12K6E | 7,970 | 6,650 | 5,410 | 4,240 | 3,130 | 2,070 | — |
| R*H250E44** [^] | CS14K6E | 10,240 | 8,690 | 7,250 | 5,940 | 4,760 | 3,740 | — |
| R*H300E44** [^] | CS18K6E | 12,310 | 10,340 | 8,530 | 6,910 | 5,520 | 4,370 | — |
| R*H325E44** [^] | CS20K6E | 14,770 | 12,570 | 10,530 | 8,590 | 6,720 | 4,870 | — |
| 100°F Ambient | | | | | | | | |
| R*H100L44** | CF04K6E | 5,360 | 4,500 | 3,770 | 3,100 | 2,480 | 1,900 | 1,320 |
| R*H150L44** | CF06K6E | 8,820 | 7,710 | 6,650 | 5,600 | 4,580 | 3,640 | 2,790 |
| R*H200L44** | CF09K6E | 13,740 | 12,030 | 10,380 | 8,790 | 7,280 | 5,860 | 4,540 |
| R*H300L44** | CF12K6E | 17,810 | 15,770 | 13,790 | 11,840 | 9,950 | 8,100 | 6,280 |
| R*H055E44** [^] | RST45C1E | 3,030 | 2,620 | 2,220 | 1,830 | 1,460 | 1,090 | — |
| R*H080E44** [^] | RST55C1E | 3,490 | 2,990 | 2,540 | 2,120 | 1,740 | 1,400 | — |
| R*H090E44** [^] | RST64C1E | 4,700 | 4,090 | 3,510 | 2,980 | 2,480 | 2,030 | — |
| R*H100E44** [^] | RST70C1E | 4,690 | 4,050 | 3,460 | 2,930 | 2,450 | 2,020 | — |
| R*H125E44** [^] | RST97C1E | 6,810 | 5,930 | 5,120 | 4,390 | 3,730 | 3,150 | — |
| R*H150E44** [^] | CS10K6E | 6,320 | 5,170 | 4,120 | 3,170 | 2,350 | 1,640 | — |
| R*H200E44** [^] | CS12K6E | 7,300 | 6,040 | 4,860 | 3,750 | 2,700 | 1,690 | — |
| R*H250E44** [^] | CS14K6E | 9,510 | 8,040 | 6,670 | 5,420 | 4,300 | 3,320 | — |
| R*H300E44** [^] | CS18K6E | 11,330 | 9,470 | 7,760 | 6,240 | 4,940 | 3,890 | — |
| R*H325E44** [^] | CS20K6E | 13,510 | 11,410 | 9,460 | 7,620 | 5,840 | 4,080 | — |
| 110°F Ambient | | | | | | | | |
| R*H100L44** | CF04K6E | 4,240 | 3,500 | 2,880 | 2,320 | 1,810 | 1,320 | 850 |
| R*H150L44** | CF06K6E | 7,510 | 6,520 | 5,570 | 4,630 | 3,730 | 2,900 | 2,160 |
| R*H200L44** | CF09K6E | 11,850 | 10,300 | 8,810 | 7,370 | 6,020 | 4,760 | 3,610 |
| R*H300L44** | CF12K6E | 15,390 | 13,560 | 11,780 | 10,040 | 8,330 | 6,660 | 5,010 |
| R*H055E44** [^] | RST45C1E | 2,660 | 2,280 | 1,920 | 1,560 | 1,220 | 880 | — |
| R*H080E44** [^] | RST55C1E | 3,040 | 2,590 | 2,180 | 1,810 | 1,470 | 1,150 | — |
| R*H090E44** [^] | RST64C1E | 4,150 | 3,590 | 3,070 | 2,580 | 2,130 | 1,710 | — |
| R*H100E44** [^] | RST70C1E | 4,100 | 3,520 | 2,980 | 2,490 | 2,060 | 1,660 | — |
| R*H125E44** [^] | RST97C1E | 5,960 | 5,160 | 4,420 | 3,740 | 3,140 | 2,620 | — |
| R*H150E44** [^] | CS10K6E | 5,120 | 4,090 | 3,140 | 2,300 | 1,570 | 940 | — |
| R*H200E44** [^] | CS12K6E | 6,000 | 4,870 | 3,810 | 2,830 | 1,900 | 1,030 | — |
| R*H250E44** [^] | CS14K6E | 8,050 | 6,730 | 5,500 | 4,390 | 3,390 | 2,520 | — |
| R*H300E44** [^] | CS18K6E | 9,460 | 7,800 | 6,290 | 4,970 | 3,870 | 3,000 | — |
| R*H325E44** [^] | CS20K6E | 11,050 | 9,150 | 7,380 | 5,710 | 4,110 | 2,510 | — |

* Each asterisk represents a variable character based upon model, voltage, and vintage ordered. See page 4 for nomenclature.

‡ Multiply capacity by .83 when used with 50 Hz power.

[^] An optional Electric Defrost kit must be ordered in lieu of the standard Air Defrost Timer when extended range medium temperature models are used for low temperature applications.

NEXT-GEN MINICON CONDENSING UNITS

Capacity Data (BTUH) - Low Temperature R404A Scroll - 60 Hz[‡]

SUCTION TEMPERATURE

| MODEL | COMP. MODEL | 0°F | -5°F | -15°F | -20°F | -25°F | -30°F | -35°F | -40°F |
|-------|-------------|-----|------|-------|-------|-------|-------|-------|-------|
|-------|-------------|-----|------|-------|-------|-------|-------|-------|-------|

90°F Ambient

| | | | | | | | | | |
|-------------|---------|--------|--------|--------|--------|--------|--------|--------|--------|
| R*O100L4S** | ZF03KAE | 5,050 | 4,440 | 3,410 | 2,970 | 2,570 | 2,210 | 1,880 | 1,580 |
| R*O130L4S** | ZF04KAE | 6,670 | 5,880 | 4,510 | 3,920 | 3,400 | 2,920 | 2,490 | 2,100 |
| R*O160L4S** | ZF05KAE | 7,700 | 6,780 | 5,200 | 4,530 | 3,920 | 3,370 | 2,870 | 2,420 |
| R*O230L4S** | ZF07KAE | 12,600 | 11,170 | 8,710 | 7,650 | 6,700 | 5,850 | 5,070 | 4,360 |
| R*O250L4S** | ZF08K4E | 14,770 | 13,290 | 10,640 | 9,470 | 8,390 | 7,400 | 6,500 | 5,670 |
| R*O300L4S** | ZF09K4E | 16,190 | 14,610 | 11,760 | 10,500 | 9,320 | 8,240 | 7,230 | 6,290 |
| R*O350L4S** | ZF11K4E | 19,400 | 17,560 | 14,190 | 12,670 | 11,260 | 9,950 | 8,750 | 7,630 |
| R*O400L4S** | ZF13K4E | 23,970 | 21,490 | 17,060 | 15,080 | 13,260 | 11,590 | 10,090 | 8,720 |
| R*O500L4S** | ZF15K4E | 28,630 | 25,820 | 20,770 | 18,520 | 16,450 | 14,530 | 12,760 | 11,150 |
| R*O600L4S** | ZF18K4E | 32,720 | 29,530 | 23,790 | 21,220 | 18,850 | 16,660 | 14,630 | 12,760 |

95°F Ambient

| | | | | | | | | | |
|-------------|---------|--------|--------|--------|--------|--------|--------|--------|--------|
| R*O100L4S** | ZF03KAE | 4,790 | 4,210 | 3,230 | 2,800 | 2,420 | 2,080 | 1,770 | 1,480 |
| R*O130L4S** | ZF04KAE | 6,340 | 5,580 | 4,270 | 3,710 | 3,200 | 2,750 | 2,340 | 1,960 |
| R*O160L4S** | ZF05KAE | 7,310 | 6,430 | 4,920 | 4,280 | 3,700 | 3,170 | 2,700 | 2,260 |
| R*O230L4S** | ZF07KAE | 12,010 | 10,640 | 8,290 | 7,280 | 6,370 | 5,560 | 4,820 | 4,140 |
| R*O250L4S** | ZF08K4E | 14,130 | 12,720 | 10,190 | 9,070 | 8,040 | 7,090 | 6,210 | 5,420 |
| R*O300L4S** | ZF09K4E | 15,480 | 13,980 | 11,260 | 10,050 | 8,930 | 7,890 | 6,920 | 6,020 |
| R*O350L4S** | ZF11K4E | 18,530 | 16,780 | 13,580 | 12,120 | 10,780 | 9,530 | 8,380 | 7,310 |
| R*O400L4S** | ZF13K4E | 22,930 | 20,550 | 16,300 | 14,390 | 12,640 | 11,040 | 9,580 | 8,270 |
| R*O500L4S** | ZF15K4E | 27,350 | 24,660 | 19,840 | 17,690 | 15,710 | 13,880 | 12,200 | 10,650 |
| R*O600L4S** | ZF18K4E | 31,310 | 28,270 | 22,800 | 20,350 | 18,080 | 15,980 | 14,040 | 12,240 |

100°F Ambient

| | | | | | | | | | |
|-------------|---------|--------|--------|--------|--------|--------|--------|--------|--------|
| R*O100L4S** | ZF03KAE | 4,530 | 3,980 | 3,040 | 2,640 | 2,280 | 1,950 | 1,650 | 1,380 |
| R*O130L4S** | ZF04KAE | 5,990 | 5,270 | 4,020 | 3,490 | 3,010 | 2,580 | 2,180 | 1,820 |
| R*O160L4S** | ZF05KAE | 6,910 | 6,080 | 4,640 | 4,030 | 3,470 | 2,970 | 2,520 | 2,100 |
| R*O230L4S** | ZF07KAE | 11,410 | 10,110 | 7,860 | 6,900 | 6,040 | 5,260 | 4,560 | 3,920 |
| R*O250L4S** | ZF08K4E | 13,490 | 12,140 | 9,730 | 8,660 | 7,670 | 6,760 | 5,920 | 5,160 |
| R*O300L4S** | ZF09K4E | 14,760 | 13,340 | 10,750 | 9,590 | 8,520 | 7,530 | 6,600 | 5,740 |
| R*O350L4S** | ZF11K4E | 17,650 | 15,980 | 12,940 | 11,560 | 10,280 | 9,090 | 8,000 | 6,980 |
| R*O400L4S** | ZF13K4E | 21,860 | 19,590 | 15,520 | 13,700 | 12,020 | 10,480 | 9,090 | 7,830 |
| R*O500L4S** | ZF15K4E | 26,040 | 23,480 | 18,890 | 16,850 | 14,960 | 13,220 | 11,620 | 10,150 |
| R*O600L4S** | ZF18K4E | 29,890 | 27,000 | 21,790 | 19,450 | 17,290 | 15,280 | 13,430 | 11,710 |

110°F Ambient

| | | | | | | | | | |
|-------------|---------|--------|--------|--------|--------|--------|--------|--------|--------|
| R*O100L4S** | ZF03KAE | 4,000 | 3,500 | 2,660 | 2,300 | 1,980 | 1,680 | 1,420 | 1,170 |
| R*O130L4S** | ZF04KAE | 5,290 | 4,630 | 3,520 | 3,040 | 2,620 | 2,230 | 1,880 | 1,550 |
| R*O160L4S** | ZF05KAE | 6,100 | 5,350 | 4,060 | 3,510 | 3,020 | 2,570 | 2,160 | 1,790 |
| R*O230L4S** | ZF07KAE | 10,190 | 9,000 | 6,970 | 6,110 | 5,340 | 4,640 | 4,020 | 3,450 |
| R*O250L4S** | ZF08K4E | 12,150 | 10,940 | 8,760 | 7,790 | 6,900 | 6,070 | 5,320 | 4,620 |
| R*O300L4S** | ZF09K4E | 13,300 | 12,010 | 9,690 | 8,650 | 7,680 | 6,780 | 5,940 | 5,160 |
| R*O350L4S** | ZF11K4E | 15,820 | 14,320 | 11,610 | 10,380 | 9,230 | 8,170 | 7,190 | 6,280 |
| R*O400L4S** | ZF13K4E | 19,670 | 17,630 | 13,950 | 12,310 | 10,800 | 9,410 | 8,150 | 7,000 |
| R*O500L4S** | ZF15K4E | 23,360 | 21,060 | 16,940 | 15,100 | 13,410 | 11,850 | 10,410 | 9,090 |
| R*O600L4S** | ZF18K4E | 26,990 | 24,390 | 19,700 | 17,610 | 15,660 | 13,850 | 12,180 | 10,630 |

* Each asterisk represents a variable character based upon model, voltage, and vintage ordered. See page 4 for nomenclature.

‡ Multiply capacity by .83 when used with 50 Hz power.

1/2 TO 6 HP

Capacity Data (BTUH) - Low Temperature R407A Scroll - 60 Hz[‡]

SUCTION TEMPERATURE

| MODEL | COMP. MODEL | 0°F | -5°F | -15°F | -20°F | -25°F | -30°F | -35°F | -40°F |
|-------|-------------|-----|------|-------|-------|-------|-------|-------|-------|
|-------|-------------|-----|------|-------|-------|-------|-------|-------|-------|

90°F Ambient

| | | | | | | | | | |
|-------------|---------|--------|--------|--------|--------|--------|--------|--------|--------|
| R*O100L4S** | ZF03KAE | 4,550 | 4,000 | 3,050 | 2,640 | 2,270 | 1,930 | 1,620 | 1,330 |
| R*O130L4S** | ZF04KAE | 6,010 | 5,290 | 4,040 | 3,500 | 3,000 | 2,550 | 2,140 | 1,760 |
| R*O160L4S** | ZF05KAE | 6,940 | 6,110 | 4,660 | 4,040 | 3,470 | 2,950 | 2,470 | 2,030 |
| R*O230L4S** | ZF07KAE | 11,130 | 9,810 | 7,570 | 6,620 | 5,770 | 5,000 | 4,300 | 3,660 |
| R*O250L4S** | ZF08K4E | 12,820 | 11,450 | 8,990 | 7,900 | 6,910 | 6,000 | 5,190 | 4,470 |
| R*O300L4S** | ZF09K4E | 14,170 | 12,830 | 10,140 | 8,870 | 7,710 | 6,690 | 5,840 | 5,190 |
| R*O350L4S** | ZF11K4E | 17,510 | 15,880 | 12,560 | 10,990 | 9,530 | 8,260 | 7,200 | 6,410 |
| R*O400L4S** | ZF13K4E | 20,980 | 18,640 | 14,390 | 12,520 | 10,860 | 9,440 | 8,300 | 7,450 |
| R*O500L4S** | ZF15K4E | 25,620 | 22,750 | 17,620 | 15,420 | 13,480 | 11,830 | 10,490 | 9,490 |
| R*O600L4S** | ZF18K4E | 30,490 | 27,200 | 21,220 | 18,600 | 16,270 | 14,260 | 12,600 | 11,320 |

95°F Ambient

| | | | | | | | | | |
|-------------|---------|--------|--------|--------|--------|--------|--------|--------|--------|
| R*O100L4S** | ZF03KAE | 4,370 | 3,850 | 2,940 | 2,540 | 2,180 | 1,840 | 1,540 | 1,250 |
| R*O130L4S** | ZF04KAE | 5,790 | 5,090 | 3,880 | 3,360 | 2,880 | 2,440 | 2,030 | 1,650 |
| R*O160L4S** | ZF05KAE | 6,680 | 5,880 | 4,480 | 3,880 | 3,320 | 2,810 | 2,350 | 1,910 |
| R*O230L4S** | ZF07KAE | 10,740 | 9,460 | 7,310 | 6,390 | 5,580 | 4,840 | 4,160 | 3,540 |
| R*O250L4S** | ZF08K4E | 12,390 | 11,060 | 8,690 | 7,630 | 6,670 | 5,790 | 5,000 | 4,300 |
| R*O300L4S** | ZF09K4E | 13,700 | 12,410 | 9,820 | 8,590 | 7,460 | 6,460 | 5,630 | 4,990 |
| R*O350L4S** | ZF11K4E | 16,920 | 15,360 | 12,160 | 10,630 | 9,220 | 7,980 | 6,950 | 6,170 |
| R*O400L4S** | ZF13K4E | 20,300 | 18,000 | 13,830 | 12,020 | 10,420 | 9,070 | 7,990 | 7,210 |
| R*O500L4S** | ZF15K4E | 24,790 | 21,990 | 16,980 | 14,830 | 12,960 | 11,370 | 10,080 | 9,130 |
| R*O600L4S** | ZF18K4E | 29,540 | 26,330 | 20,500 | 17,950 | 15,690 | 13,750 | 12,160 | 10,930 |

100°F Ambient

| | | | | | | | | | |
|-------------|---------|--------|--------|--------|--------|--------|--------|--------|--------|
| R*O100L4S** | ZF03KAE | 4,200 | 3,700 | 2,820 | 2,430 | 2,080 | 1,750 | 1,450 | 1,170 |
| R*O130L4S** | ZF04KAE | 5,560 | 4,890 | 3,730 | 3,220 | 2,750 | 2,320 | 1,920 | 1,550 |
| R*O160L4S** | ZF05KAE | 6,420 | 5,640 | 4,300 | 3,710 | 3,170 | 2,680 | 2,220 | 1,780 |
| R*O230L4S** | ZF07KAE | 10,340 | 9,110 | 7,040 | 6,160 | 5,380 | 4,670 | 4,020 | 3,430 |
| R*O250L4S** | ZF08K4E | 11,940 | 10,660 | 8,370 | 7,350 | 6,420 | 5,570 | 4,810 | 4,130 |
| R*O300L4S** | ZF09K4E | 13,240 | 12,000 | 9,500 | 8,310 | 7,220 | 6,240 | 5,430 | 4,800 |
| R*O350L4S** | ZF11K4E | 16,330 | 14,830 | 11,750 | 10,280 | 8,920 | 7,710 | 6,700 | 5,930 |
| R*O400L4S** | ZF13K4E | 19,610 | 17,340 | 13,270 | 11,510 | 9,980 | 8,690 | 7,680 | 6,960 |
| R*O500L4S** | ZF15K4E | 23,950 | 21,200 | 16,320 | 14,230 | 12,410 | 10,880 | 9,650 | 8,740 |
| R*O600L4S** | ZF18K4E | 28,580 | 25,440 | 19,770 | 17,290 | 15,100 | 13,230 | 11,690 | 10,530 |

110°F Ambient

| | | | | | | | | | |
|-------------|---------|--------|--------|--------|--------|--------|--------|--------|-------|
| R*O100L4S** | ZF03KAE | 3,860 | 3,390 | 2,570 | 2,210 | 1,880 | 1,570 | 1,270 | 990 |
| R*O130L4S** | ZF04KAE | 5,100 | 4,490 | 3,410 | 2,930 | 2,490 | 2,070 | 1,690 | 1,320 |
| R*O160L4S** | ZF05KAE | 5,890 | 5,180 | 3,930 | 3,380 | 2,870 | 2,390 | 1,950 | 1,520 |
| R*O230L4S** | ZF07KAE | 9,540 | 8,410 | 6,500 | 5,700 | 4,980 | 4,330 | 3,740 | 3,190 |
| R*O250L4S** | ZF08K4E | 11,010 | 9,840 | 7,710 | 6,770 | 5,900 | 5,120 | 4,400 | 3,770 |
| R*O300L4S** | ZF09K4E | 12,310 | 11,180 | 8,870 | 7,770 | 6,740 | 5,820 | 5,040 | 4,430 |
| R*O350L4S** | ZF11K4E | 15,130 | 13,760 | 10,940 | 9,580 | 8,310 | 7,170 | 6,220 | 5,480 |
| R*O400L4S** | ZF13K4E | 18,150 | 15,970 | 12,110 | 10,470 | 9,060 | 7,900 | 7,010 | 6,430 |
| R*O500L4S** | ZF15K4E | 22,180 | 19,570 | 14,930 | 12,970 | 11,260 | 9,840 | 8,710 | 7,890 |
| R*O600L4S** | ZF18K4E | 26,600 | 23,620 | 18,260 | 15,930 | 13,870 | 12,130 | 10,710 | 9,650 |

* Each asterisk represents a variable character based upon model, voltage, and vintage ordered. See page 4 for nomenclature.

‡ Multiply capacity by .83 when used with 50 Hz power.

NEXT-GEN MINICON CONDENSING UNITS

Capacity Data (BTUH) - Low Temperature R407C Scroll - 60 Hz[‡]

SUCTION TEMPERATURE

| MODEL | COMP. MODEL | 0°F | -5°F | -15°F | -20°F | -25°F | -30°F | -35°F | -40°F |
|-------|-------------|-----|------|-------|-------|-------|-------|-------|-------|
|-------|-------------|-----|------|-------|-------|-------|-------|-------|-------|

90°F Ambient

| | | | | | | | | | |
|-------------|---------|--------|--------|--------|--------|--------|--------|--------|--------|
| R*O100L4S** | ZF03KAE | 4,150 | 3,650 | 2,800 | 2,530 | 2,250 | 1,980 | 1,780 | 1,600 |
| R*O130L4S** | ZF04KAE | 5,750 | 5,020 | 3,780 | 3,270 | 2,820 | 2,450 | 2,150 | 1,920 |
| R*O160L4S** | ZF05KAE | 6,850 | 6,000 | 4,530 | 3,900 | 3,350 | 2,880 | 2,480 | 2,120 |
| R*O230L4S** | ZF07KAE | 10,400 | 9,130 | 7,110 | 6,290 | 5,550 | 4,850 | 4,140 | 3,390 |
| R*O250L4S** | ZF08K4E | 12,220 | 10,850 | 8,490 | 7,460 | 6,530 | 5,670 | 4,890 | 4,170 |
| R*O300L4S** | ZF09K4E | 13,500 | 12,160 | 9,570 | 8,380 | 7,290 | 6,320 | 5,500 | 4,840 |
| R*O350L4S** | ZF11K4E | 16,600 | 15,020 | 11,840 | 10,340 | 8,950 | 7,750 | 6,760 | 6,040 |
| R*O400L4S** | ZF13K4E | 19,620 | 17,420 | 13,390 | 11,610 | 10,040 | 8,700 | 7,650 | 6,890 |
| R*O500L4S** | ZF15K4E | 23,910 | 21,270 | 16,440 | 14,340 | 12,480 | 10,910 | 9,660 | 8,770 |
| R*O600L4S** | ZF18K4E | 28,450 | 25,410 | 19,780 | 17,290 | 15,080 | 13,190 | 11,660 | 10,530 |

95°F Ambient

| | | | | | | | | | |
|-------------|---------|--------|--------|--------|--------|--------|--------|--------|--------|
| R*O100L4S** | ZF03KAE | 3,950 | 3,500 | 2,750 | 2,420 | 2,150 | 1,920 | 1,730 | 1,550 |
| R*O130L4S** | ZF04KAE | 5,540 | 4,840 | 3,640 | 3,150 | 2,720 | 2,360 | 2,080 | 1,870 |
| R*O160L4S** | ZF05KAE | 6,610 | 5,790 | 4,360 | 3,760 | 3,230 | 2,780 | 2,400 | 2,100 |
| R*O230L4S** | ZF07KAE | 10,050 | 8,810 | 6,870 | 6,080 | 5,370 | 4,690 | 4,000 | 3,260 |
| R*O250L4S** | ZF08K4E | 11,810 | 10,490 | 8,210 | 7,210 | 6,310 | 5,480 | 4,720 | 4,010 |
| R*O300L4S** | ZF09K4E | 13,060 | 11,770 | 9,280 | 8,120 | 7,060 | 6,110 | 5,310 | 4,660 |
| R*O350L4S** | ZF11K4E | 16,050 | 14,540 | 11,470 | 10,010 | 8,670 | 7,490 | 6,530 | 5,820 |
| R*O400L4S** | ZF13K4E | 19,000 | 16,830 | 12,870 | 11,150 | 9,640 | 8,370 | 7,370 | 6,680 |
| R*O500L4S** | ZF15K4E | 23,160 | 20,580 | 15,850 | 13,800 | 12,010 | 10,490 | 9,290 | 8,450 |
| R*O600L4S** | ZF18K4E | 27,590 | 24,620 | 19,120 | 16,700 | 14,560 | 12,730 | 11,260 | 10,180 |

100°F Ambient

| | | | | | | | | | |
|-------------|---------|--------|--------|--------|--------|--------|--------|--------|-------|
| R*O100L4S** | ZF03KAE | 3,830 | 3,380 | 2,640 | 2,340 | 2,080 | 1,860 | 1,665 | 1,500 |
| R*O130L4S** | ZF04KAE | 5,340 | 4,660 | 3,500 | 3,030 | 2,620 | 2,280 | 2,010 | 1,810 |
| R*O160L4S** | ZF05KAE | 6,370 | 5,570 | 4,200 | 3,620 | 3,110 | 2,680 | 2,320 | 2,030 |
| R*O230L4S** | ZF07KAE | 9,670 | 8,480 | 6,620 | 5,870 | 5,190 | 4,530 | 3,860 | 3,130 |
| R*O250L4S** | ZF08K4E | 11,410 | 10,130 | 7,920 | 6,960 | 6,090 | 5,290 | 4,550 | 3,870 |
| R*O300L4S** | ZF09K4E | 12,650 | 11,400 | 8,990 | 7,870 | 6,850 | 5,920 | 5,140 | 4,500 |
| R*O350L4S** | ZF11K4E | 15,530 | 14,070 | 11,100 | 9,690 | 8,390 | 7,250 | 6,310 | 5,600 |
| R*O400L4S** | ZF13K4E | 18,390 | 16,240 | 12,370 | 10,700 | 9,240 | 8,030 | 7,090 | 6,460 |
| R*O500L4S** | ZF15K4E | 22,430 | 19,880 | 15,270 | 13,270 | 11,520 | 10,060 | 8,910 | 8,110 |
| R*O600L4S** | ZF18K4E | 26,770 | 23,840 | 18,480 | 16,120 | 14,040 | 12,280 | 10,860 | 9,840 |

110°F Ambient

| | | | | | | | | | |
|-------------|---------|--------|--------|--------|--------|--------|--------|--------|-------|
| R*O100L4S** | ZF03KAE | 3,540 | 3,120 | 2,440 | 2,170 | 1,935 | 1,730 | 1,550 | 1,390 |
| R*O130L4S** | ZF04KAE | 4,920 | 4,290 | 3,220 | 2,790 | 2,420 | 2,110 | 1,880 | 1,710 |
| R*O160L4S** | ZF05KAE | 5,880 | 5,130 | 3,860 | 3,330 | 2,860 | 2,470 | 2,150 | 1,900 |
| R*O230L4S** | ZF07KAE | 8,910 | 7,820 | 6,130 | 5,440 | 4,810 | 4,220 | 3,560 | 2,860 |
| R*O250L4S** | ZF08K4E | 10,560 | 9,380 | 7,320 | 6,440 | 5,630 | 4,890 | 4,200 | 3,570 |
| R*O300L4S** | ZF09K4E | 11,810 | 10,660 | 8,430 | 7,390 | 6,430 | 5,560 | 4,810 | 4,190 |
| R*O350L4S** | ZF11K4E | 14,480 | 13,120 | 10,370 | 9,050 | 7,840 | 6,750 | 5,860 | 5,190 |
| R*O400L4S** | ZF13K4E | 17,100 | 15,030 | 11,340 | 9,780 | 8,430 | 7,340 | 6,510 | 6,000 |
| R*O500L4S** | ZF15K4E | 20,880 | 18,450 | 14,040 | 12,150 | 10,500 | 9,140 | 8,090 | 7,380 |
| R*O600L4S** | ZF18K4E | 25,050 | 22,250 | 17,140 | 14,910 | 12,940 | 11,300 | 10,000 | 9,090 |

* Each asterisk represents a variable character based upon model, voltage, and vintage ordered. See page 4 for nomenclature.

‡ Multiply capacity by .83 when used with 50 Hz power.

1/2 TO 6 HP

Capacity Data (BTUH) - Low Temperature R448A, R449A Scroll - 60 Hz[‡]

SUCTION TEMPERATURE

| MODEL | COMP. MODEL | 0°F | -5°F | -15°F | -20°F | -25°F | -30°F | -35°F | -40°F |
|-------|-------------|-----|------|-------|-------|-------|-------|-------|-------|
|-------|-------------|-----|------|-------|-------|-------|-------|-------|-------|

90°F Ambient

| | | | | | | | | | |
|-------------|---------|--------|--------|--------|--------|--------|--------|--------|--------|
| R*O100L4S** | ZF03KAE | 4,580 | 4,030 | 3,090 | 2,700 | 2,340 | 2,010 | 1,700 | 1,410 |
| R*O130L4S** | ZF04KAE | 6,060 | 5,330 | 4,090 | 3,570 | 3,090 | 2,650 | 2,250 | 1,870 |
| R*O160L4S** | ZF05KAE | 6,990 | 6,150 | 4,720 | 4,110 | 3,570 | 3,060 | 2,600 | 2,160 |
| R*O230L4S** | ZF07KAE | 11,580 | 10,230 | 7,870 | 6,860 | 5,970 | 5,200 | 4,530 | 3,990 |
| R*O250L4S** | ZF08K4E | 13,370 | 11,930 | 9,360 | 8,240 | 7,220 | 6,270 | 5,430 | 4,660 |
| R*O300L4S** | ZF09K4E | 14,840 | 13,280 | 10,500 | 9,270 | 8,160 | 7,160 | 6,240 | 5,400 |
| R*O350L4S** | ZF11K4E | 18,310 | 16,420 | 12,990 | 11,490 | 10,090 | 8,850 | 7,710 | 6,690 |
| R*O400L4S** | ZF13K4E | 22,470 | 19,930 | 15,470 | 13,530 | 11,780 | 10,230 | 8,890 | 7,740 |
| R*O500L4S** | ZF15K4E | 27,380 | 24,340 | 19,000 | 16,700 | 14,640 | 12,810 | 11,200 | 9,830 |
| R*O600L4S** | ZF18K4E | 32,560 | 29,050 | 22,850 | 20,140 | 17,690 | 15,490 | 13,520 | 11,790 |

95°F Ambient

| | | | | | | | | | |
|-------------|---------|--------|--------|--------|--------|--------|--------|--------|--------|
| R*O100L4S** | ZF03KAE | 4,410 | 3,880 | 2,980 | 2,600 | 2,250 | 1,940 | 1,640 | 1,360 |
| R*O130L4S** | ZF04KAE | 5,830 | 5,130 | 3,940 | 3,440 | 2,980 | 2,560 | 2,170 | 1,800 |
| R*O160L4S** | ZF05KAE | 6,730 | 5,920 | 4,550 | 3,970 | 3,440 | 2,960 | 2,510 | 2,080 |
| R*O230L4S** | ZF07KAE | 11,170 | 9,860 | 7,570 | 6,600 | 5,740 | 5,000 | 4,370 | 3,850 |
| R*O250L4S** | ZF08K4E | 12,950 | 11,550 | 9,080 | 7,980 | 6,990 | 6,070 | 5,240 | 4,500 |
| R*O300L4S** | ZF09K4E | 14,400 | 12,870 | 10,180 | 9,000 | 7,920 | 6,940 | 6,050 | 5,230 |
| R*O350L4S** | ZF11K4E | 17,760 | 15,920 | 12,610 | 11,140 | 9,800 | 8,580 | 7,490 | 6,490 |
| R*O400L4S** | ZF13K4E | 21,600 | 19,150 | 14,840 | 12,990 | 11,330 | 9,870 | 8,610 | 7,550 |
| R*O500L4S** | ZF15K4E | 26,340 | 23,420 | 18,280 | 16,070 | 14,120 | 12,380 | 10,850 | 9,560 |
| R*O600L4S** | ZF18K4E | 31,360 | 27,990 | 22,040 | 19,440 | 17,110 | 15,020 | 13,160 | 11,520 |

100°F Ambient

| | | | | | | | | | |
|-------------|---------|--------|--------|--------|--------|--------|--------|--------|--------|
| R*O100L4S** | ZF03KAE | 4,240 | 3,730 | 2,870 | 2,500 | 2,170 | 1,870 | 1,590 | 1,320 |
| R*O130L4S** | ZF04KAE | 5,600 | 4,930 | 3,790 | 3,310 | 2,870 | 2,470 | 2,100 | 1,740 |
| R*O160L4S** | ZF05KAE | 6,470 | 5,690 | 4,380 | 3,820 | 3,320 | 2,850 | 2,420 | 2,010 |
| R*O230L4S** | ZF07KAE | 10,750 | 9,480 | 7,270 | 6,340 | 5,510 | 4,800 | 4,190 | 3,700 |
| R*O250L4S** | ZF08K4E | 12,520 | 11,170 | 8,780 | 7,720 | 6,760 | 5,870 | 5,070 | 4,340 |
| R*O300L4S** | ZF09K4E | 13,950 | 12,470 | 9,860 | 8,710 | 7,680 | 6,720 | 5,860 | 5,060 |
| R*O350L4S** | ZF11K4E | 17,190 | 15,400 | 12,200 | 10,790 | 9,500 | 8,320 | 7,250 | 6,290 |
| R*O400L4S** | ZF13K4E | 20,710 | 18,340 | 14,210 | 12,450 | 10,890 | 9,520 | 8,360 | 7,380 |
| R*O500L4S** | ZF15K4E | 25,260 | 22,450 | 17,550 | 15,440 | 13,580 | 11,940 | 10,510 | 9,290 |
| R*O600L4S** | ZF18K4E | 30,130 | 26,890 | 21,210 | 18,750 | 16,530 | 14,560 | 12,810 | 11,280 |

110°F Ambient

| | | | | | | | | | |
|-------------|---------|--------|--------|--------|--------|--------|--------|--------|--------|
| R*O100L4S** | ZF03KAE | 3,890 | 3,430 | 2,650 | 2,320 | 2,020 | 1,740 | 1,490 | 1,240 |
| R*O130L4S** | ZF04KAE | 5,150 | 4,530 | 3,500 | 3,060 | 2,670 | 2,310 | 1,970 | 1,640 |
| R*O160L4S** | ZF05KAE | 5,940 | 5,230 | 4,040 | 3,540 | 3,080 | 2,660 | 2,270 | 1,890 |
| R*O230L4S** | ZF07KAE | 9,890 | 8,700 | 6,650 | 5,780 | 5,020 | 4,370 | 3,830 | 3,390 |
| R*O250L4S** | ZF08K4E | 11,650 | 10,410 | 8,190 | 7,210 | 6,310 | 5,490 | 4,720 | 4,030 |
| R*O300L4S** | ZF09K4E | 13,020 | 11,640 | 9,200 | 8,150 | 7,180 | 6,290 | 5,480 | 4,730 |
| R*O350L4S** | ZF11K4E | 16,010 | 14,330 | 11,360 | 10,050 | 8,860 | 7,760 | 6,780 | 5,860 |
| R*O400L4S** | ZF13K4E | 18,810 | 16,640 | 12,940 | 11,380 | 10,030 | 8,880 | 7,900 | 7,140 |
| R*O500L4S** | ZF15K4E | 22,980 | 20,440 | 16,030 | 14,170 | 12,520 | 11,100 | 9,870 | 8,830 |
| R*O600L4S** | ZF18K4E | 27,540 | 24,620 | 19,540 | 17,370 | 15,410 | 13,700 | 12,190 | 10,880 |

* Each asterisk represents a variable character based upon model, voltage, and vintage ordered. See page 4 for nomenclature.

‡ Multiply capacity by .83 when used with 50 Hz power.

NEXT-GEN MINICON CONDENSING UNITS

Electrical Data - Hermetic

| BASE MODEL NUMBER | COMP. MODEL | COMPRESSOR | | COND. FAN FLA | AIR DEFROST | | MAX. EVAP. FAN AMPS [†] | MAX DEFROST AMPS [†] | ELECTRIC DEFROST | | ELECTRIC DEFROST KIT [†] |
|---|-------------|------------|-------|---------------|-------------|------|----------------------------------|-------------------------------|------------------|------|-----------------------------------|
| | | RLA | LRA | | MCA | MOPD | | | MCA | MOPD | |
| 200-220V/1/50 Hz^Δ | | | | | | | | | | | |
| R*H055E4*** | RST45C1E | 5.1 | 26.5 | 0.5 | 15.0 | 15 | 4.0 | 15.0 | 19.7 | 20 | ED-5 |
| R*H080E4*** | RST55C1E | 6.3 | 33.7 | 0.5 | 15.0 | 15 | 4.0 | 15.0 | 19.7 | 20 | ED-5 |
| R*H090E4*** | RST64C1E | 8.5 | 43.0 | 0.5 | 15.0 | 20 | 4.0 | 15.0 | 19.7 | 20 | ED-5 |
| R*H150E44** | CS10K6E | 9.8 | 56.0 | 1.0 | 15.0 | 20 | 6.0 | 20.0 | 26.0 | 30 | ED-6 |
| R*H200E44** | CS12K6E | 9.8 | 56.0 | 1.0 | 15.0 | 20 | 6.0 | 20.0 | 26.0 | 30 | ED-6 |
| R*H250E44** | CS14K6E | 11.2 | 61.0 | 1.0 | 16.0 | 25 | 10.0 | 25.0 | 32.2 | 35 | ED-7 |
| R*H300E44** | CS18K6E | 14.4 | 82.0 | 1.0 | 20.0 | 30 | 10.0 | 25.0 | 32.2 | 40 | ED-7 |
| R*H325E44** | CS20K6E | 13.8 | 75.9 | 3.1 | 21.3 | 35 | 12.0 | 30.0 | 38.5 | 45 | ED-10 |
| R*H100L44** | CF04K6E | 8.6 | 59.2 | 0.5 | - | - | 4.0 | 15.0 | 19.7 | 20 | ED-5 |
| R*H150L44** | CF06K6E | 10.3 | 59.2 | 0.5 | - | - | 4.0 | 15.0 | 19.7 | 25 | ED-5 |
| R*H200L44** | CF09K6E | 15.0 | 87.0 | 1.0 | - | - | 6.0 | 25.0 | 32.2 | 40 | ED-7 |
| R*H300L44** | CF12K6E | 18.4 | 105.0 | 1.0 | - | - | 10.0 | 25.0 | 35.0 | 50 | ED-7 |
| 208-230V/1/60 Hz | | | | | | | | | | | |
| R*H055E4*** | RST45C1E | 4.6 | 26.5 | 0.5 | 15.0 | 15 | 4.0 | 15.0 | 19.7 | 20 | ED-5 |
| R*H080E4*** | RST55C1E | 6.1 | 33.7 | 0.5 | 15.0 | 15 | 4.0 | 15.0 | 19.7 | 20 | ED-5 |
| R*H090E4*** | RST64C1E | 8.1 | 43.0 | 0.5 | 15.0 | 15 | 4.0 | 15.0 | 19.7 | 20 | ED-5 |
| R*H100E4*** | RST70C1E | 6.9 | 46.0 | 0.5 | 15.0 | 15 | 4.0 | 15.0 | 19.7 | 20 | ED-5 |
| R*H125E4*** | RST97C1E | 9.0 | 51.0 | 0.5 | 15.0 | 20 | 4.0 | 15.0 | 19.7 | 25 | ED-5 |
| R*H150E44** | CS10K6E | 9.8 | 56.0 | 1.0 | 15.0 | 20 | 6.0 | 20.0 | 26.0 | 30 | ED-6 |
| R*H200E44** | CS12K6E | 9.8 | 56.0 | 1.0 | 15.0 | 20 | 6.0 | 20.0 | 26.0 | 30 | ED-6 |
| R*H250E44** | CS14K6E | 11.2 | 61.0 | 1.0 | 16.0 | 25 | 10.0 | 25.0 | 32.2 | 35 | ED-7 |
| R*H300E44** | CS18K6E | 14.4 | 82.0 | 1.0 | 20.0 | 30 | 10.0 | 25.0 | 32.2 | 40 | ED-7 |
| R*H325E44** | CS20K6E | 16.7 | 96.0 | 3.1 | 24.9 | 40 | 12.0 | 30.0 | 38.5 | 50 | ED-10 |
| R*H100L44** | CF04K6E | 8.6 | 59.2 | 0.5 | - | - | 4.0 | 15.0 | 19.7 | 20 | ED-5 |
| R*H150L44** | CF06K6E | 10.3 | 59.2 | 0.5 | - | - | 4.0 | 15.0 | 19.7 | 25 | ED-5 |
| R*H200L44** | CF09K6E | 15.0 | 87.0 | 1.0 | - | - | 6.0 | 25.0 | 32.2 | 40 | ED-7 |
| R*H300L44** | CF12K6E | 18.4 | 105.0 | 1.0 | - | - | 10.0 | 25.0 | 35.0 | 50 | ED-7 |
| 208-230V/3/60 Hz, 200-220V/3/50 Hz[‡] | | | | | | | | | | | |
| R*H100E4*** ^{^^} | RST70C1E | 4.9 | 36.0 | 0.5 | 15.0 | 15 | 4.0 | 15.0 | 19.7 | 20 | ED-5 |
| R*H125E4*** ^{^^} | RST97C1E | 5.4 | 36.0 | 1.0 | 15.0 | 15 | 6.0 | 15.0 | 19.7 | 20 | ED-5 |
| R*H150E44*** ^{^^} | CS10K6E | 6.7 | 51.0 | 1.0 | 15.0 | 15 | 6.0 | 15.0 | 19.7 | 20 | ED-5 |
| R*H200E44*** ^{^^} | CS12K6E | 6.7 | 51.0 | 1.0 | 15.0 | 15 | 6.0 | 15.0 | 19.7 | 20 | ED-5 |
| R*H250E44** | CS14K6E | 8.2 | 55.0 | 1.0 | 15.0 | 20 | 10.0 | 20.0 | 26.0 | 30 | ED-6 |
| R*H300E44** | CS18K6E | 9.4 | 65.5 | 1.0 | 15.0 | 20 | 10.0 | 20.0 | 26.0 | 30 | ED-6 |
| R*H325E44** | CS20K6E | 10.2 | 75.0 | 3.1 | 16.8 | 25 | 12.0 | 25.0 | 32.2 | 35 | ED-7 |
| R*H100L44** | CF04K6E | 5.7 | 52.0 | 0.5 | - | - | 4.0 | 15.0 | 19.7 | 20 | ED-5 |
| R*H150L44** | CF06K6E | 6.3 | 52.0 | 0.5 | - | - | 4.0 | 15.0 | 19.7 | 20 | ED-5 |
| R*H200L44** | CF09K6E | 9.2 | 72.2 | 1.0 | - | - | 6.0 | 15.0 | 19.7 | 25 | ED-5 |
| R*H300L44** | CF12K6E | 11.0 | 85.0 | 1.0 | - | - | 10.0 | 25.0 | 32.2 | 35 | ED-7 |
| 460V/3/60 Hz, 380V/3/50 Hz^{‡‡} | | | | | | | | | | | |
| R*H150E44** | CS10K6E | 3.2 | 25.0 | 0.8 | 15.0 | 15 | 3.0 | 15.0 | 19.7 | 20 | ED-17 |
| R*H250E44** | CS14K6E | 4.2 | 28.0 | 0.8 | 15.0 | 15 | 5.0 | 15.0 | 19.7 | 20 | ED-17 |
| R*H300E44** | CS18K6E | 4.2 | 33.0 | 0.8 | 15.0 | 15 | 5.0 | 15.0 | 19.7 | 20 | ED-17 |
| R*H325E44** | CS20K6E | 4.6 | 40.0 | 2.5 | 15.0 | 15 | 6.0 | 15.0 | 19.7 | 20 | ED-17 |
| R*H150L44** | CF06K6E | 3.3 | 25.4 | 0.4 | - | - | 2.0 | 15.0 | 19.7 | 20 | ED-17 |
| R*H200L44** | CF09K6E | 4.9 | 35.8 | 0.8 | - | - | 3.0 | 15.0 | 19.7 | 20 | ED-17 |
| R*H300L44** | CF12K6E | 5.9 | 42.0 | 0.8 | - | - | 5.0 | 15.0 | 19.7 | 20 | ED-17 |

* Each asterisk represents a variable character based upon model, refrigerant, voltage, and vintage ordered. See page 4 for nomenclature.

RLA = Rated Load Amps LRA = Locked Rotor Amps MCA = Minimum Circuit Ampacity MOPD = Maximum Overcurrent Protection
MCA includes 1 amp allowance for control circuit requirement.

† Note: Maximum Evap. fan amps and maximum defrost amps are shown to provide ratings when electric defrost is required and is an optional feature. Maximum Amp value used to determine MOPD. Exceeding these values invalidates the listed MOPD and requires a revised calculation. Contact Application Engineering when amp draw requirements deviate from the chart values.

Δ R*H100E4* and R*H125E4* are not available in 200-220V/1/50 Hz.

^^ R*H100E4*, R*H125E4*, R*H150E44, and R*H200E44 are not available in 200-220V/3/50 Hz.

‡ R*H055E4*, R*H080E4*, and R*H090E4* are not available in 208-230V/3/60 Hz.

‡‡ R*H055E4*, R*H080E4*, R*H090E4*, R*H100E4*, R*H125E4*, R*H200E44 and R*H100L44 are not available in 460V/3/60 Hz.

1/2 TO 6 HP

Electrical Data - Scroll

| BASE MODEL NUMBER | COMP. MODEL | COMPRESSOR | | COND. FAN FLA | AIR DEFROST | | MAX. EVAP. FAN AMPS [†] | MAX DEFROST AMPS [†] | ELECTRIC DEFROST | | ELECTRIC DEFROST KIT [†] |
|-------------------------------------|-------------|------------|-------|---------------|-------------|------|----------------------------------|-------------------------------|------------------|------|-----------------------------------|
| | | RLA | LRA | | MCA | MOPD | | | MCA | MOPD | |
| 200-220V/1/50 Hz[^] | | | | | | | | | | | |
| R*O130E4S** | ZS09KAE | 8.0 | 45.0 | 0.5 | 15.0 | 15 | 4.0 | 15.0 | 19.7 | 20 | ED-5 |
| R*O150E4S** | ZS11KAE | 9.2 | 45.0 | 1.0 | 15.0 | 20 | 6.0 | 20.0 | 26.0 | 30 | ED-6 |
| R*O180E4S** | ZS13KAE | 10.1 | 54.0 | 1.0 | 15.0 | 20 | 6.0 | 20.0 | 26.0 | 30 | ED-6 |
| R*O200E4S** | ZS15KAE | 12.4 | 61.0 | 1.0 | 17.5 | 25 | 10.0 | 25.0 | 32.2 | 35 | ED-7 |
| R*O250E4S** | ZS19KAE | 14.5 | 79.0 | 1.0 | 20.1 | 30 | 10.0 | 25.0 | 32.2 | 40 | ED-7 |
| R*O300E4S** | ZS21KAE | 17.2 | 87.0 | 3.1 | 25.6 | 40 | 12.0 | 30.0 | 38.5 | 50 | ED-10 |
| R*O350E4S** | ZS26KAE | 17.8 | 122.0 | 3.1 | 26.3 | 40 | 12.0 | 30.0 | 38.5 | 50 | ED-10 |
| R*O400E4S** | ZS29KAE | 19.4 | 133.0 | 3.1 | 28.3 | 45 | 12.0 | 30.0 | 40.3 | 50 | ED-10 |
| R*O450E4S** | ZS33KAE | 21.9 | 133.0 | 3.1 | 31.4 | 50 | 12.0 | 30.0 | 43.4 | 60 | ED-10 |
| R*O500E4S** | ZS38KAE | 28.5 | 169.0 | 3.1 | 39.7 | 60 | 12.0 | 30.0 | 51.7 | 60 | ED-10 |

208-230V/1/60 Hz[^]

| | | | | | | | | | | | |
|-------------|---------|------|-------|-----|------|----|------|------|------|------|-------|
| R*O060M4S** | ZB06KAE | 5.4 | 36.0 | 0.5 | 15.0 | 15 | 4.0 | 15.0 | 19.7 | 20 | ED-5 |
| R*O080M4S** | ZB07KAE | 5.9 | 48.9 | 0.5 | 15.0 | 15 | 4.0 | 15.0 | 19.7 | 20 | ED-5 |
| R*O100M4S** | ZB08KAE | 7.2 | 46.7 | 0.5 | 15.0 | 15 | 4.0 | 15.0 | 19.7 | 20 | ED-5 |
| R*O130E4S** | ZS09KAE | 9.0 | 40.3 | 0.5 | 15.0 | 20 | 4.0 | 15.0 | 19.7 | 25 | ED-5 |
| R*O150E4S** | ZS11KAE | 11.3 | 55.0 | 1.0 | 16.1 | 25 | 6.0 | 20.0 | 26.0 | 30 | ED-6 |
| R*O180E4S** | ZS13KAE | 10.8 | 56.0 | 1.0 | 15.5 | 25 | 6.0 | 20.0 | 26.0 | 30 | ED-6 |
| R*O200E4S** | ZS15KAE | 14.1 | 68.0 | 1.0 | 19.6 | 30 | 10.0 | 25.0 | 32.2 | 40 | ED-7 |
| R*O250E4S** | ZS19KAE | 16.2 | 75.0 | 1.0 | 22.2 | 35 | 10.0 | 25.0 | 32.2 | 45 | ED-7 |
| R*O300E4S** | ZS21KAE | 20.8 | 112.0 | 3.1 | 30.1 | 50 | 12.0 | 30.0 | 42.1 | 60 | ED-10 |
| R*O350E4S** | ZS26KAE | 21.2 | 104.0 | 3.1 | 30.6 | 50 | 12.0 | 30.0 | 42.6 | 60 | ED-10 |
| R*O400E4S** | ZS29KAE | 23.4 | 137.0 | 3.1 | 33.3 | 50 | 12.0 | 30.0 | 45.3 | 60 | ED-10 |
| R*O450E4S** | ZS33KAE | 23.0 | 146.0 | 3.1 | 32.8 | 50 | 12.0 | 30.0 | 44.8 | 60 | ED-10 |
| R*O500E4S** | ZS38KAE | 28.5 | 169.0 | 3.1 | 39.7 | 60 | 12.0 | 30.0 | 51.7 | 60 | ED-10 |
| R*O100L4S** | ZF03KAE | 5.8 | 42.6 | 0.5 | - | - | 4.0 | 15.0 | 19.0 | 20.0 | ED-5 |
| R*O130L4S** | ZF04KAE | 6.6 | 40.3 | 0.5 | - | - | 4.0 | 15.0 | 19.0 | 20.0 | ED-5 |
| R*O160L4S** | ZF05KAE | 7.8 | 55.0 | 0.5 | - | - | 4.0 | 15.0 | 19.0 | 25.0 | ED-5 |
| R*O230L4S** | ZF07KAE | 12.4 | 75.0 | 1.0 | - | - | 6.0 | 25.0 | 32.0 | 35.0 | ED-7 |

208-230V/1/60 Hz, 200-220V/1/50 Hz[^]

| | | | | | | | | | | | |
|-------------|---------|------|-------|-----|---|---|------|------|------|----|-------|
| R*O250L4S** | ZF08KAE | 14.7 | 73.0 | 1.0 | - | - | 10.0 | 25.0 | 32.0 | 45 | ED-7 |
| R*O300L4S** | ZF09KAE | 16.0 | 88.0 | 1.0 | - | - | 10.0 | 25.0 | 32.0 | 45 | ED-7 |
| R*O350L4S** | ZF11KAE | 18.6 | 109.0 | 1.0 | - | - | 10.0 | 30.0 | 38.5 | 50 | ED-10 |
| R*O400L4S** | ZF13KAE | 22.4 | 129.0 | 3.1 | - | - | 12.0 | 30.0 | 44.0 | 60 | ED-10 |
| R*O500L4S** | ZF15KAE | 24.7 | 169.0 | 3.1 | - | - | 12.0 | 30.0 | 46.0 | 60 | ED-10 |

See notes listed under 460V/3/60 Hz electrical table on next page.



Next-Gen MiniCon condensing units are very adaptable and have ample room within the cabinet and control panel for many optional components

NEXT-GEN MINICON CONDENSING UNITS

Electrical Data - Scroll

| BASE MODEL NUMBER | COMP. MODEL | COMPRESSOR | | COND. FAN FLA | AIR DEFROST | | MAX. EVAP. FAN AMPS [†] | MAX DEFROST AMPS [†] | ELECTRIC DEFROST | | ELECTRIC DEFROST KIT [†] |
|--|-------------|------------|-------|---------------|-------------|------|----------------------------------|-------------------------------|------------------|------|-----------------------------------|
| | | RLA | LRA | | MCA | MOPD | | | MCA | MOPD | |
| 208-230V/3/60 Hz, 200-220V/3/50 Hz‡ | | | | | | | | | | | |
| R*O060M4S** | ZB06KAE | 3.1 | 38.9 | 0.5 | 15.0 | 15 | 4.0 | 15.0 | 19.8 | 19.8 | ED-5 |
| R*O080M4S** | ZB07KAE | 3.4 | 38.9 | 0.5 | 15.0 | 15 | 4.0 | 15.0 | 19.8 | 19.8 | ED-5 |
| R*O100M4S** | ZB08KAE | 3.6 | 38.9 | 0.5 | 15.0 | 15 | 4.0 | 15.0 | 19.8 | 19.8 | ED-5 |
| R*O130E4S** | ZS09KAE | 7.2 | 55.4 | 0.5 | 15.0 | 15 | 4.0 | 15.0 | 19.7 | 20 | ED-5 |
| R*O150E4S** | ZS11KAE | 9.3 | 58.0 | 1.0 | 15.0 | 20 | 6.0 | 15.0 | 19.7 | 25 | ED-5 |
| R*O180E4S** | ZS13KAE | 8.7 | 58.0 | 1.0 | 15.0 | 20 | 6.0 | 15.0 | 19.7 | 25 | ED-5 |
| R*O200E4S** | ZS15KAE | 9.6 | 58.0 | 1.0 | 15.0 | 20 | 10.0 | 20.0 | 26.0 | 30 | ED-6 |
| R*O250E4S** | ZS19KAE | 12.3 | 73.0 | 1.0 | 17.3 | 25 | 10.0 | 25.0 | 32.2 | 35 | ED-7 |
| R*O300E4S** | ZS21KAE | 13.7 | 93.0 | 3.1 | 21.2 | 30 | 12.0 | 25.0 | 33.2 | 45 | ED-7 |
| R*O350E4S** | ZS26KAE | 13.9 | 93.0 | 3.1 | 21.4 | 35 | 12.0 | 25.0 | 33.4 | 45 | ED-7 |
| R*O400E4S** | ZS29KAE | 18.4 | 114.0 | 3.1 | 27.1 | 45 | 12.0 | 30.0 | 39.1 | 50 | ED-11 |
| R*O450E4S** | ZS33KAE | 20.0 | 114.0 | 3.1 | 29.1 | 45 | 12.0 | 30.0 | 41.1 | 60 | ED-11 |
| R*O500E4S** | ZS38K4E | 19.2 | 123.0 | 3.1 | 28.1 | 45 | 12.0 | 30.0 | 40.1 | 50 | ED-11 |
| R*O600E4S** | ZS45K4E | 21.5 | 156.0 | 3.1 | 30.9 | 50 | 12.0 | 30.0 | 42.9 | 60 | ED-11 |
| R*O100L4S** | ZF03KAE | 3.7 | 42.6 | 0.5 | - | - | 4.0 | 15.0 | 19.7 | 20.0 | ED-5 |
| R*O130L4S** | ZF04KAE | 6.0 | 57.0 | 0.5 | - | - | 4.0 | 15.0 | 19.7 | 20.0 | ED-5 |
| R*O160L4S** | ZF05KAE | 6.7 | 59.0 | 0.5 | - | - | 4.0 | 15.0 | 19.7 | 20.0 | ED-5 |
| R*O230L4S** | ZF07KAE | 7.8 | 59.0 | 1.0 | - | - | 6.0 | 15.0 | 19.7 | 25.0 | ED-5 |
| R*O250L4S** | ZF08K4E | 8.7 | 63.0 | 1.0 | - | - | 10.0 | 20.0 | 26.0 | 30 | ED-6 |
| R*O300L4S** | ZF09K4E | 8.7 | 77.0 | 1.0 | - | - | 10.0 | 20.0 | 26.0 | 30 | ED-6 |
| R*O350L4S** | ZF11K4E | 10.9 | 88.0 | 1.0 | - | - | 10.0 | 25.0 | 32.2 | 35 | ED-7 |
| R*O400L4S** | ZF13K4E | 11.9 | 99.0 | 3.1 | - | - | 12.0 | 25.0 | 32.2 | 40 | ED-7 |
| R*O500L4S** | ZF15K4E | 17.0 | 123.0 | 3.1 | - | - | 12.0 | 30.0 | 38.5 | 50 | ED-11 |
| R*O600L4S** | ZF18K4E | 19.6 | 156.0 | 3.1 | - | - | 12.0 | 30.0 | 40.6 | 60 | ED-11 |

460V/3/60 Hz, 380V/3/50 Hz‡

| | | | | | | | | | | | |
|-------------|---------|------|------|-----|------|----|-----|------|------|----|-------|
| R*O130E4S** | ZS09KAE | 3.4 | 28.0 | 0.4 | 15.0 | 15 | 2.0 | 15.0 | 19.7 | 20 | ED-17 |
| R*O150E4S** | ZS11KAE | 3.8 | 28.0 | 0.8 | 15.0 | 15 | 3.0 | 15.0 | 19.7 | 20 | ED-17 |
| R*O180E4S** | ZS13KAE | 4.3 | 29.0 | 0.8 | 15.0 | 15 | 3.0 | 15.0 | 19.7 | 20 | ED-17 |
| R*O200E4S** | ZS15KAE | 4.8 | 29.0 | 0.8 | 15.0 | 15 | 5.0 | 15.0 | 19.7 | 20 | ED-17 |
| R*O250E4S** | ZS19KAE | 5.8 | 38.0 | 0.8 | 15.0 | 15 | 5.0 | 15.0 | 19.7 | 20 | ED-17 |
| R*O300E4S** | ZS21KAE | 6.2 | 48.0 | 2.5 | 15.0 | 15 | 6.0 | 15.0 | 19.7 | 20 | ED-17 |
| R*O350E4S** | ZS26KAE | 6.2 | 48.0 | 2.5 | 15.0 | 15 | 6.0 | 15.0 | 19.7 | 20 | ED-17 |
| R*O400E4S** | ZS29KAE | 8.4 | 58.0 | 2.5 | 15.0 | 20 | 6.0 | 15.0 | 20.0 | 25 | ED-17 |
| R*O450E4S** | ZS33KAE | 9.0 | 52.0 | 2.5 | 15.0 | 20 | 6.0 | 20.0 | 26.0 | 30 | ED-18 |
| R*O500E4S** | ZS38K4E | 8.7 | 62.0 | 2.5 | 15.0 | 20 | 6.0 | 20.0 | 26.0 | 30 | ED-18 |
| R*O600E4S** | ZS45K4E | 10.3 | 75.0 | 2.5 | 16.3 | 25 | 6.0 | 20.0 | 26.0 | 30 | ED-18 |
| R*O250L4S** | ZF08K4E | 4.5 | 31.0 | 0.8 | - | - | 5.0 | 15.0 | 19.7 | 20 | ED-17 |
| R*O300L4S** | ZF09K4E | 4.5 | 39.0 | 0.8 | - | - | 5.0 | 15.0 | 19.7 | 20 | ED-17 |
| R*O350L4S** | ZF11K4E | 5.8 | 44.0 | 0.8 | - | - | 5.0 | 15.0 | 19.7 | 20 | ED-17 |
| R*O400L4S** | ZF13K4E | 6.4 | 49.5 | 2.5 | - | - | 6.0 | 15.0 | 19.7 | 20 | ED-17 |
| R*O500L4S** | ZF15K4E | 8.0 | 62.0 | 2.5 | - | - | 6.0 | 15.0 | 19.7 | 25 | ED-17 |
| R*O600L4S** | ZF18K4E | 8.0 | 75.0 | 2.5 | - | - | 6.0 | 15.0 | 19.7 | 25 | ED-17 |

* Each asterisk represents a variable character based upon model, voltage, and vintage ordered. See page 4 for nomenclature.

RLA = Rated Load Amps LRA = Locked Rotor Amps MCA = Minimum Circuit Ampacity MOPD = Maximum Overcurrent Protection
MCA includes 1 amp allowance for control circuit requirement.

† Note: Maximum Evap. fan amps and maximum defrost amps are shown to provide ratings when electric defrost is required and is an optional feature. Maximum Amp value used to determine MOPD. Exceeding these values invalidates the listed MOPD and requires a revised calculation. Contact Application Engineering when amp draw requirements deviate from the chart values.

^ R*O600L4S and R*O600E4S are not available in 200-220V/1/50 Hz or 208-230V/1/60 Hz.

‡ R*O060M4S**, R*O080M4S**, R*O100M4S**, R*O100L4S**, R*O130L4S**, R*O160L4S** and R*O230L4S** are not available in 200-220V/1/50 Hz, 200-220V/3/50, 380V/3/50 Hz or 460V/3/60 Hz.

1/2 TO 6 HP

Specifications - All Models

| MODEL DATA | | | CONNECTIONS (IN.) | | PUMP DOWN CAPACITY | | | | | | | |
|--------------|-------------|----|---------------------|---------|--------------------------------|------------------|------------------|-------------------------|---------------------------------|------------------|------------------|-------------------------|
| MODEL NUMBER | COMP. MODEL | HP | LIQUID [^] | SUCTION | STANDARD RECEIVER [^] | | | | OVERSIZED RECEIVER [^] | | | |
| | | | | | 90% R404A (LBS.) | 90% R407A (LBS.) | 90% R407C (LBS.) | 90% R448A, R449A (LBS.) | 90% R404A (LBS.) | 90% R407A (LBS.) | 90% R407C (LBS.) | 90% R448A, R449A (LBS.) |

Extended Medium Temperature Hermetic

| | | | | | | | | | | | | |
|-------------|----------|-------|-----|-------|------|---|------|------|------|---|------|------|
| R*H055E4*** | RST45C1E | 1/2 | 3/8 | 5/8 | 5.9 | - | 6.7 | 6.1 | 11.0 | - | 12.7 | 11.6 |
| R*H080E4*** | RST55C1E | 3/4 | 3/8 | 5/8 | 5.9 | - | 6.7 | 6.1 | 11.0 | - | 12.7 | 11.6 |
| R*H090E4*** | RST64C1E | 3/4 | 3/8 | 5/8 | 5.9 | - | 6.7 | 6.1 | 11.0 | - | 12.7 | 11.6 |
| R*H100E4*** | RST70C1E | 1 | 3/8 | 5/8 | 5.9 | - | 6.7 | 6.1 | 11.0 | - | 12.7 | 11.6 |
| R*H125E4*** | RST97C1E | 1-1/4 | 1/2 | 7/8 | 11.0 | - | 12.7 | 11.6 | 13.6 | - | 15.7 | 14.3 |
| R*H150E44** | CS10K6E | 1-1/2 | 1/2 | 7/8 | 11.0 | - | - | - | 13.6 | - | - | - |
| R*H200E44** | CS12K6E | 2 | 1/2 | 7/8 | 11.0 | - | - | - | 13.6 | - | - | - |
| R*H250E44** | CS14K6E | 2-1/2 | 1/2 | 7/8 | 13.6 | - | - | - | 20.9 | - | - | - |
| R*H300E44** | CS18K6E | 3 | 1/2 | 7/8 | 13.6 | - | - | - | 20.9 | - | - | - |
| R*H325E44** | CS20K6E | 3 | 5/8 | 1-1/8 | 28.0 | - | - | - | 37.9 | - | - | - |

Low Temperature Hermetic

| | | | | | | | | | | | | |
|-------------|---------|-------|-----|-----|------|---|---|---|------|---|---|---|
| R*H100L44** | CF04K6E | 1 | 3/8 | 5/8 | 5.9 | - | - | - | 11.0 | - | - | - |
| R*H150L44** | CF06K6E | 1-1/2 | 3/8 | 5/8 | 5.9 | - | - | - | 11.0 | - | - | - |
| R*H200L44** | CF09K6E | 2 | 3/8 | 7/8 | 11.0 | - | - | - | 13.6 | - | - | - |
| R*H300L44** | CF12K6E | 3 | 3/8 | 7/8 | 13.6 | - | - | - | 20.9 | - | - | - |

Medium/Extended Medium Temperature Scroll

| | | | | | | | | | | | | |
|-------------|---------|-------|-----|-------|------|------|------|------|------|------|------|------|
| R*O060M4S** | ZB06KAE | 1/2 | 3/8 | 5/8 | 5.9 | 6.4 | 6.7 | 6.1 | 11.0 | 12.1 | 12.7 | 11.6 |
| R*O080M4S** | ZB07KAE | 3/4 | 3/8 | 5/8 | 5.9 | 6.4 | 6.7 | 6.1 | 11.0 | 12.1 | 12.7 | 11.6 |
| R*O100M4S** | ZB08KAE | 1 | 3/8 | 5/8 | 5.9 | 6.4 | 6.7 | 6.1 | 11.0 | 12.1 | 12.7 | 11.6 |
| R*O130E4S** | ZS09KAE | 1 | 3/8 | 5/8 | 5.9 | 6.4 | 6.7 | 6.1 | 11.0 | 12.1 | 12.7 | 11.6 |
| R*O150E4S** | ZS11KAE | 1-1/4 | 1/2 | 7/8 | 11.0 | 12.1 | 12.7 | 11.6 | 13.6 | 15.0 | 15.7 | 14.3 |
| R*O180E4S** | ZS13KAE | 1-1/2 | 1/2 | 7/8 | 11.0 | 12.1 | 12.7 | 11.6 | 13.6 | 15.0 | 15.7 | 14.3 |
| R*O200E4S** | ZS15KAE | 2 | 1/2 | 7/8 | 13.6 | 15.0 | 15.7 | 14.3 | 20.9 | 23.1 | 24.1 | 22.0 |
| R*O250E4S** | ZS19KAE | 2-1/2 | 1/2 | 7/8 | 13.6 | 15.0 | 15.7 | 14.3 | 20.9 | 23.1 | 24.1 | 22.0 |
| R*O300E4S** | ZS21KAE | 3 | 5/8 | 1-1/8 | 28.0 | 30.9 | 32.3 | 29.4 | 37.9 | 41.8 | 43.7 | 39.8 |
| R*O350E4S** | ZS26KAE | 3-1/2 | 5/8 | 1-1/8 | 28.0 | 30.9 | 32.3 | 29.4 | 37.9 | 41.8 | 43.7 | 39.8 |
| R*O400E4S** | ZS29KAE | 4 | 5/8 | 1-1/8 | 28.0 | 30.9 | 32.3 | 29.4 | 37.9 | 41.8 | 43.7 | 39.8 |
| R*O450E4S** | ZS33KAE | 4-1/2 | 5/8 | 1-1/8 | 28.0 | 30.9 | 32.3 | 29.4 | 37.9 | 41.8 | 43.7 | 39.8 |
| R*O500E4S** | ZS38K4E | 5 | 5/8 | 1-1/8 | 28.0 | 30.9 | 32.3 | 29.4 | 37.9 | 41.8 | 43.7 | 39.8 |
| R*O600E4S** | ZS45K4E | 6 | 5/8 | 1-1/8 | 28.0 | 30.9 | 32.3 | 29.4 | 37.9 | 41.8 | 43.7 | 39.8 |

Low Temperature Scroll

| | | | | | | | | | | | | |
|-------------|---------|-------|-----|-------|------|------|------|------|------|------|------|------|
| R*O100L4S** | ZF03KAE | 1 | 3/8 | 5/8 | 5.9 | 6.4 | 6.7 | 6.1 | 11.0 | 12.1 | 12.7 | 11.6 |
| R*O130L4S** | ZF04KAE | 1-1/3 | 3/8 | 5/8 | 5.9 | 6.4 | 6.7 | 6.1 | 11.0 | 12.1 | 12.7 | 11.6 |
| R*O160L4S** | ZF05KAE | 1-1/2 | 3/8 | 5/8 | 5.9 | 6.4 | 6.7 | 6.1 | 11.0 | 12.1 | 12.7 | 11.6 |
| R*O230L4S** | ZF07KAE | 2-1/3 | 3/8 | 7/8 | 11.0 | 12.1 | 12.7 | 11.6 | 13.6 | 15.0 | 15.7 | 14.3 |
| R*O250L4S** | ZF08K4E | 2-1/2 | 3/8 | 7/8 | 13.6 | 15.0 | 15.7 | 14.3 | 20.9 | 23.1 | 24.1 | 22.0 |
| R*O300L4S** | ZF09K4E | 3 | 3/8 | 7/8 | 13.6 | 15.0 | 15.7 | 14.3 | 20.9 | 23.1 | 24.1 | 22.0 |
| R*O350L4S** | ZF11K4E | 3-1/2 | 3/8 | 7/8 | 13.6 | 15.0 | 15.7 | 14.3 | 20.9 | 23.1 | 24.1 | 22.0 |
| R*O400L4S** | ZF13K4E | 4 | 1/2 | 1-1/8 | 28.0 | 30.9 | 32.3 | 29.4 | 37.9 | 41.8 | 43.7 | 39.8 |
| R*O500L4S** | ZF15K4E | 5 | 1/2 | 1-1/8 | 28.0 | 30.9 | 32.3 | 29.4 | 37.9 | 41.8 | 43.7 | 39.8 |
| R*O600L4S** | ZF18K4E | 6 | 1/2 | 1-1/8 | 28.0 | 30.9 | 32.3 | 29.4 | 37.9 | 41.8 | 43.7 | 39.8 |

* Each asterisk represents a variable character based upon model, refrigerant, voltage, and vintage ordered. See page 4 for nomenclature.

[^] Sierra models (RVH/RVO) are critical charge units. They do not require additional refrigerant for winter charge and have no auxiliary receiver tank. Liquid line run is a maximum of 50 feet. Liquid line solenoid must be mounted at case or evaporator.

NEXT-GEN MINICON CONDENSING UNITS

Specifications - All Models

| MODEL DATA | | CABINET SIZE ^{††} | FAN QTY. | DIMENSIONS (IN.) | | | APPROX. SHIP WT. (LBS.) | SOUND DATA dBA [†] |
|--------------|-------------|----------------------------|----------|------------------|---|---|-------------------------|-----------------------------|
| MODEL NUMBER | COMP. MODEL | | | D | W | H | | |

Extended Medium Temperature Hermetic

| | | | | | | | | |
|-------------|----------|-----|---|--------|--------|--------|-----|----|
| R*H055E4*** | RST45C1E | FM1 | 1 | 28-1/4 | 27-7/8 | 18-3/4 | 152 | 68 |
| R*H080E4*** | RST55C1E | FM1 | 1 | 28-1/4 | 27-7/8 | 18-3/4 | 156 | 68 |
| R*H090E4*** | RST64C1E | FM1 | 1 | 28-1/4 | 27-7/8 | 18-3/4 | 160 | 68 |
| R*H100E4*** | RST70C1E | FM1 | 1 | 28-1/4 | 27-7/8 | 18-3/4 | 167 | 68 |
| R*H125E4*** | RST97C1E | FM2 | 2 | 28-1/4 | 39-7/8 | 18-3/4 | 195 | 72 |
| R*H150E44** | CS10K6E | FM2 | 2 | 28-1/4 | 39-7/8 | 18-3/4 | 205 | 72 |
| R*H200E44** | CS12K6E | FM2 | 2 | 28-1/4 | 39-7/8 | 18-3/4 | 228 | 72 |
| R*H250E44** | CS14K6E | FM3 | 2 | 28-1/4 | 39-7/8 | 21-1/4 | 235 | 72 |
| R*H300E44** | CS18K6E | FM3 | 2 | 28-1/4 | 39-7/8 | 21-1/4 | 253 | 73 |
| R*H325E44** | CS20K6E | FM4 | 1 | 33 | 43-7/8 | 35 | 273 | 73 |

Low Temperature Hermetic

| | | | | | | | | |
|-------------|---------|-----|---|--------|--------|--------|-----|----|
| R*H100L44** | CF04K6E | FM1 | 1 | 28-1/4 | 27-7/8 | 18-3/4 | 195 | 74 |
| R*H150L44** | CF06K6E | FM1 | 1 | 28-1/4 | 27-7/8 | 18-3/4 | 195 | 74 |
| R*H200L44** | CF09K6E | FM2 | 2 | 28-1/4 | 39-7/8 | 18-3/4 | 243 | 75 |
| R*H300L44** | CF12K6E | FM3 | 2 | 28-1/4 | 39-7/8 | 21-1/4 | 255 | 77 |

Extended Medium Temperature Scroll

| | | | | | | | | |
|-------------|---------|-----|---|--------|--------|--------|-----|----|
| R*O060M4S** | ZB06KAE | FM1 | 1 | 28-1/4 | 27-7/8 | 18-3/4 | 195 | 70 |
| R*O080M4S** | ZB07KAE | FM1 | 1 | 28-1/4 | 27-7/8 | 18-3/4 | 195 | 70 |
| R*O100M4S** | ZB08KAE | FM1 | 1 | 28-1/4 | 27-7/8 | 18-3/4 | 195 | 70 |
| R*O130E4S** | ZS09KAE | FM1 | 1 | 28-1/4 | 27-7/8 | 18-3/4 | 195 | 70 |
| R*O150E4S** | ZS11KAE | FM2 | 2 | 28-1/4 | 39-7/8 | 18-3/4 | 205 | 71 |
| R*O180E4S** | ZS13KAE | FM2 | 2 | 28-1/4 | 39-7/8 | 18-3/4 | 210 | 71 |
| R*O200E4S** | ZS15KAE | FM3 | 2 | 28-1/4 | 39-7/8 | 21-1/4 | 215 | 71 |
| R*O250E4S** | ZS19KAE | FM3 | 2 | 28-1/4 | 39-7/8 | 21-1/4 | 230 | 72 |
| R*O300E4S** | ZS21KAE | FM4 | 1 | 33 | 43-7/8 | 35 | 305 | 72 |
| R*O350E4S** | ZS26KAE | FM4 | 1 | 33 | 43-7/8 | 35 | 325 | 72 |
| R*O400E4S** | ZS29KAE | FM4 | 1 | 33 | 43-7/8 | 35 | 352 | 74 |
| R*O450E4S** | ZS33KAE | FM4 | 1 | 33 | 43-7/8 | 35 | 375 | 74 |
| R*O500E4S** | ZS38K4E | FM4 | 1 | 33 | 43-7/8 | 35 | 383 | 74 |
| R*O600E4S** | ZS45K4E | FM4 | 1 | 33 | 43-7/8 | 35 | 405 | 76 |

Low Temperature Scroll

| | | | | | | | | |
|-------------|---------|-----|---|--------|--------|--------|-----|----|
| R*O100L4S** | ZF03KAE | FM1 | 1 | 28-1/4 | 27-7/8 | 18-3/4 | 195 | 70 |
| R*O130L4S** | ZF04KAE | FM1 | 1 | 28-1/4 | 27-7/8 | 18-3/4 | 195 | 70 |
| R*O160L4S** | ZF05KAE | FM1 | 1 | 28-1/4 | 27-7/8 | 18-3/4 | 195 | 70 |
| R*O230L4S** | ZF07KAE | FM2 | 2 | 28-1/4 | 39-7/8 | 21-1/4 | 230 | 71 |
| R*O250L4S** | ZF08K4E | FM3 | 2 | 28-1/4 | 39-7/8 | 21-1/4 | 240 | 73 |
| R*O300L4S** | ZF09K4E | FM3 | 2 | 28-1/4 | 39-7/8 | 21-1/4 | 245 | 73 |
| R*O350L4S** | ZF11K4E | FM3 | 2 | 28-1/4 | 39-7/8 | 21-1/4 | 255 | 73 |
| R*O400L4S** | ZF13K4E | FM4 | 1 | 33 | 43-7/8 | 35 | 352 | 73 |
| R*O500L4S** | ZF15K4E | FM4 | 1 | 33 | 43-7/8 | 35 | 367 | 74 |
| R*O600L4S** | ZF18K4E | FM4 | 1 | 33 | 43-7/8 | 35 | 383 | 76 |

* Each asterisk represents a variable character based upon model, refrigerant, voltage, and vintage ordered. See page 4 for nomenclature.

† Estimated dBA values at 10 feet from the unit. Correction factors: Deduct 6 dBA for 20 to 40 feet, 12 dBA @ 40 to 60 feet. Ratings at the outlet of the discharge air. The actual measurements may vary depending upon installation variables. Environmental factors may have a significant influence on this data.

†† See pages 22-24 for associated drawings.



APPLICATIONS

1/2 TO 6 HP

Specifications - All Models

| Department of Energy Annual Walk-In Energy Factor (AWEF) Ratings | | |
|--|---------------|--------------|
| Base Model Number | AWEF | |
| | Outdoor Rated | Indoor Rated |
| Hermetic Extended Medium Temperature Models | | |
| R*H055E44** | 7.17 | 5.24 |
| R*H055E4S** | 7.17 | 5.24 |
| R*H080E44** | 6.82 | 4.85 |
| R*H080E4S** | 6.82 | 4.85 |
| R*H090E44** | 6.27 | 4.67 |
| R*H090E4S** | 6.27 | 4.67 |
| R*H100E44** | 7.66 | 5.04 |
| R*H100E4S** | 7.66 | 5.04 |
| R*H125E44** | 7.72 | 5.71 |
| R*H125E4S** | 7.72 | 5.71 |
| R*H150E44** | 8.67 | 5.83 |
| R*H200E44** | 8.41 | 5.74 |
| R*H250E44** | 8.86 | 5.87 |
| R*H300E44** | 8.11 | 5.75 |
| R*H325E44** | 9.83 | 6.63 |

Scroll Extended Medium Temperature Models

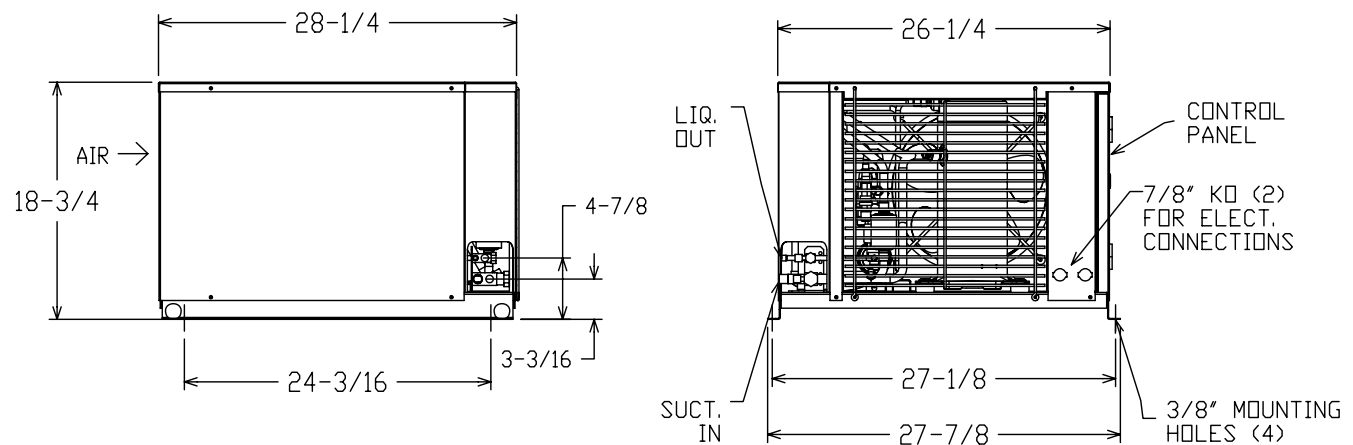
| | | |
|-------------|-------|------|
| R*O060M4S** | 8.22 | 5.67 |
| R*O080M4S** | 8.10 | 5.50 |
| R*O100M4S** | 8.07 | 5.35 |
| R*O130E4S** | 7.60 | 5.29 |
| R*O150E4S** | 8.73 | 6.14 |
| R*O180E4S** | 8.47 | 5.83 |
| R*O200E4S** | 9.07 | 6.18 |
| R*O250E4S** | 9.07 | 6.09 |
| R*O300E4S** | 10.04 | 7.07 |
| R*O350E4S** | 9.91 | 6.85 |
| R*O400E4S** | 9.06 | 6.53 |
| R*O450E4S** | 9.63 | 6.86 |
| R*O500E4S** | 8.38 | 6.45 |
| R*O600E4S** | 8.49 | 6.36 |

* Each asterisk represents a variable character based upon model, voltage, and vintage ordered. See page 4 for nomenclature.

Dept. of Energy AWEF ratings for low temperature condensing models will be implemented in 2020.

Physical Dimensions - All Models

FM1

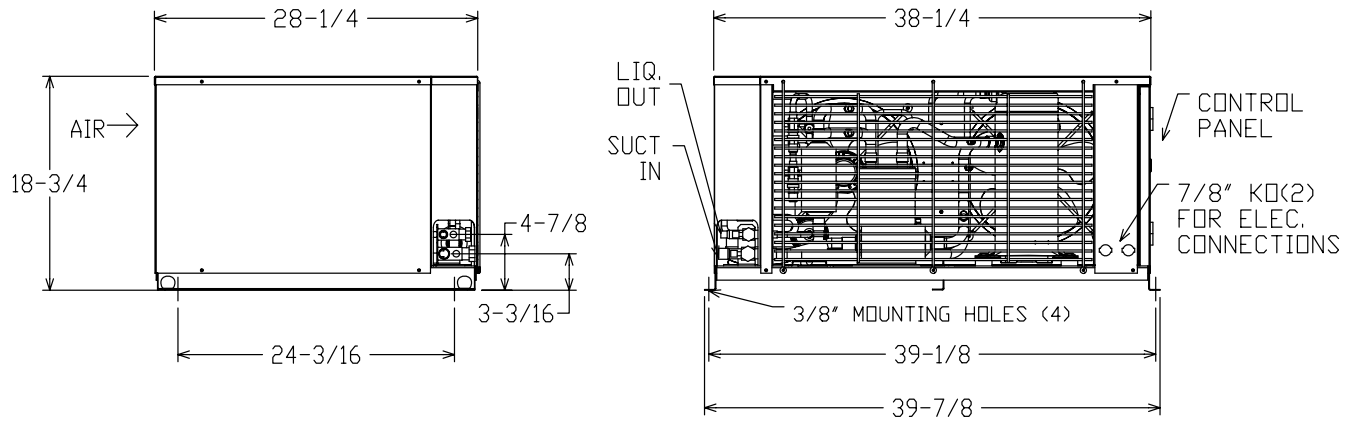


* Dimensions are in inches.

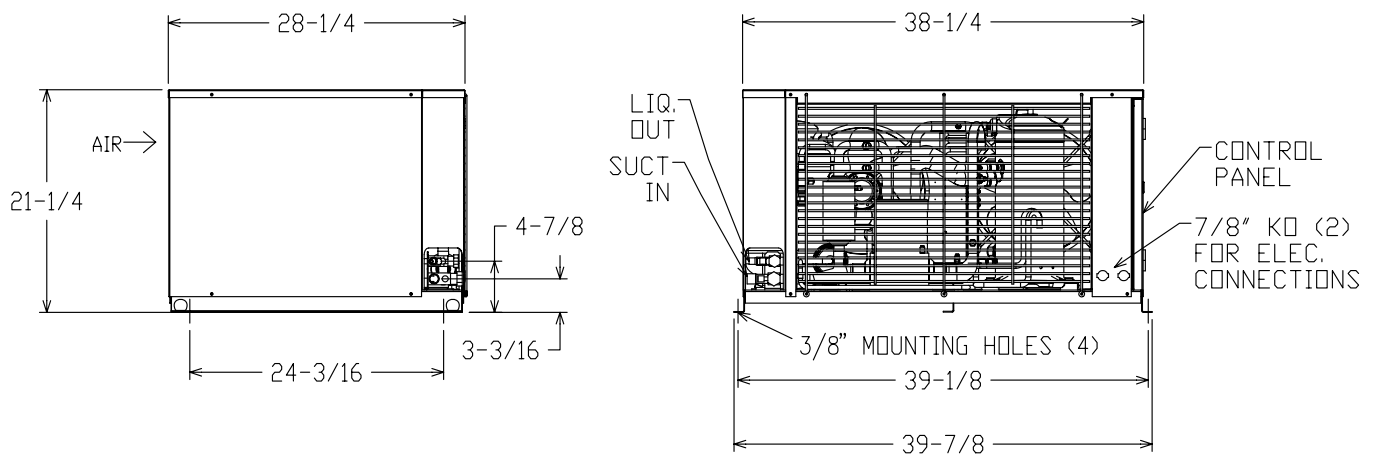
NEXT-GEN MINICON CONDENSING UNITS

Physical Dimensions - All Models

FM2



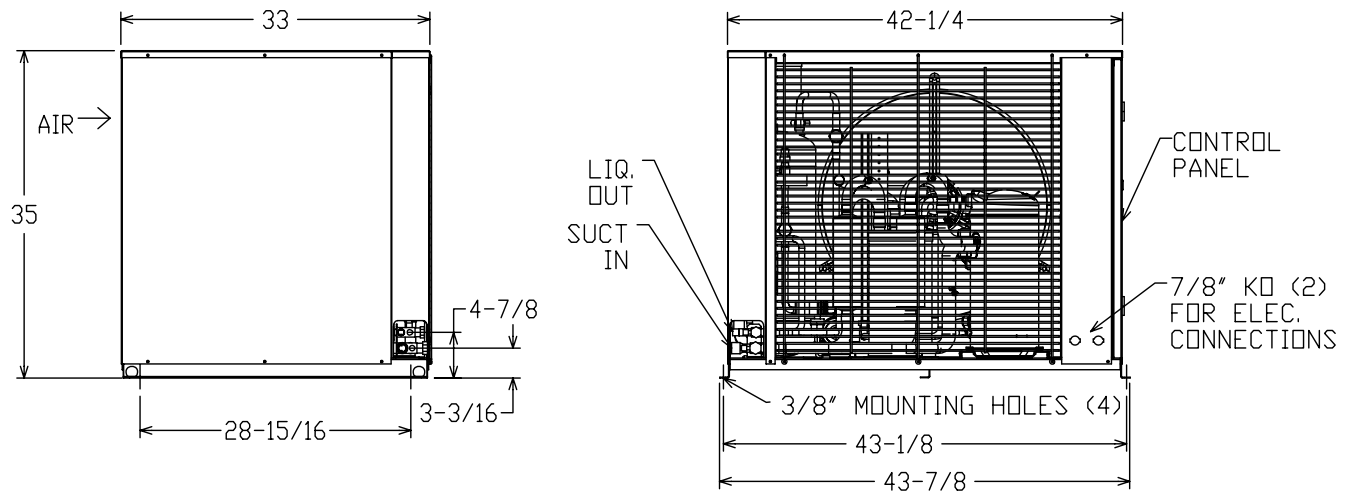
FM3



* Dimensions are in inches.

Physical Dimensions - All Models

FM4



* Dimensions are in inches.

Due to continuing product development, specifications are subject to change without notice.

