

## Reach - In Unit Cooler

Publication No. H121.0  
September, 2000

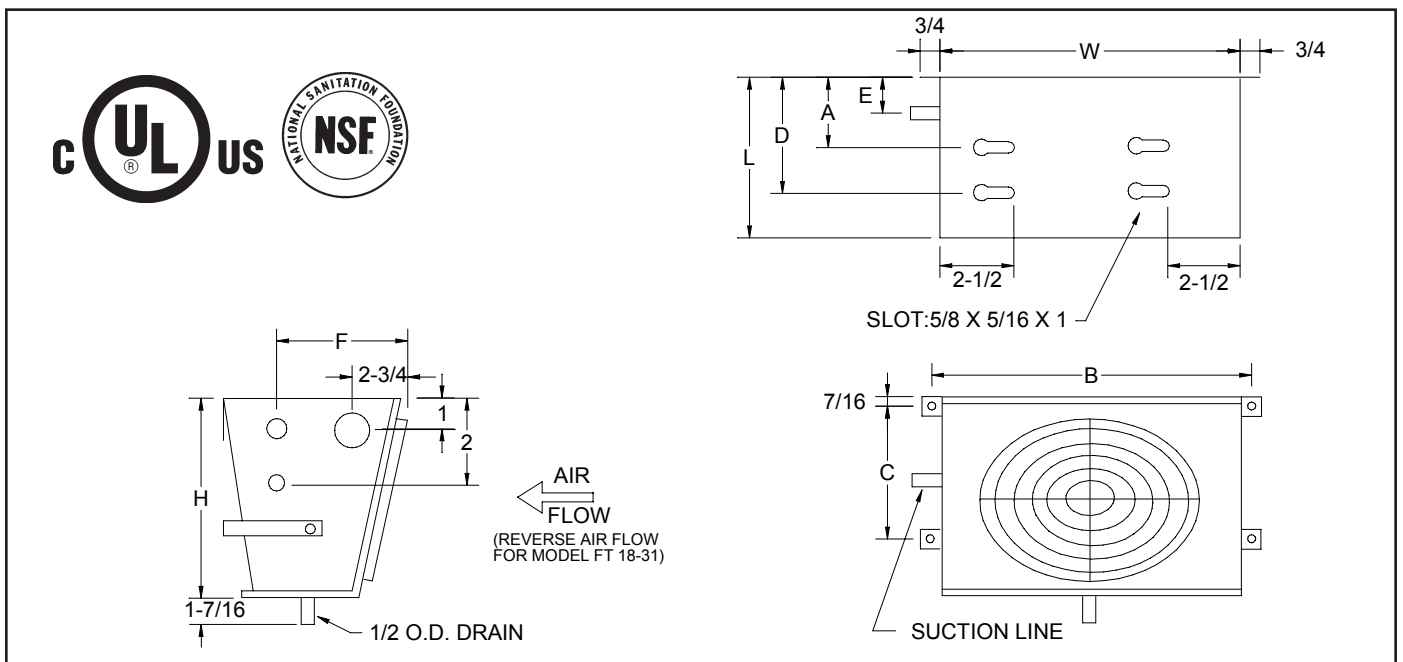
The **Flex-Temp** reach-in coil is designed to meet a number of application needs. It's triangular geometry allows for installation in areas with limited available space. **Flex-Temp** is well suited for under-counter refrigerators, reach-in back bars and other similar enclosures.

### Performance and Electrical Data

MODEL NUMBER	CAPACITY (Btu/hr)			CFM	MOTOR			CONNECTIONS (in.)			APPRX SHIP WT. (LBS)
	10°F TD	15°F TD	20°F TD		QTY	AMPS 115V	AMPS 230/1	LIQUID	SUCTION	DRAIN	
FT18-6	650	975	1300	150	1	0.73	0.37	1/2 F.N.	3/8 OD	1/2 OD	9
FT18-8	800	1200	1600	140	1	0.73	0.37	1/2 F.N.	3/8 OD	1/2 OD	9
FT28-12	1200	1800	2400	300	2	1.5	0.73	1/2 F.N.	3/8 OD	1/2 OD	14
FT18-17	1700	2550	3400	370	1	1.1	0.55	1/2 F.N.	3/8 OD	1/2 OD	15
FT18-23	2300	3450	4600	610	1	2.0	1.0	1/2 F.N.	3/8 OD	1/2 OD	20
FT18-31	3100	4650	6200	590	1	2.0	1.0	1/2 F.N.	3/8 OD	1/2 OD	23

### Physical Data

MODEL NUMBER	DIMENSIONS (in)								
	H	L	W	A	B	C	D	E	F
FT18-6	6-3/4	8-15/16	12-1/2	4-5/16	12-3/4	4-5/8	5-5/16	4-1/4	3-15/16
FT18-8	6-3/4	8-15/16	12-1/2	4-5/16	12-3/4	4-5/8	5-5/16	4-1/4	3-15/16
FT28-12	7-3/4	8-15/16	18	4-1/2	18-3/4	4-5/8	5-5/16	4-1/4	4-1/16
FT18-17	9-5/8	10-9/16	14	5-1/4	14-5/8	5-1/4	9	4-3/4	5-1/2
FT18-23	11-5/8	13	16-3/4	5-1/4	17-1/2	7	11-1/2	4-1/2	5-5/16
FT18-31	11-5/8	13	16-3/4	5-1/4	14-1/2	7	11-1/2	4-1/2	5-5/16



Due to continuing product development, specifications are subject to change without notice.