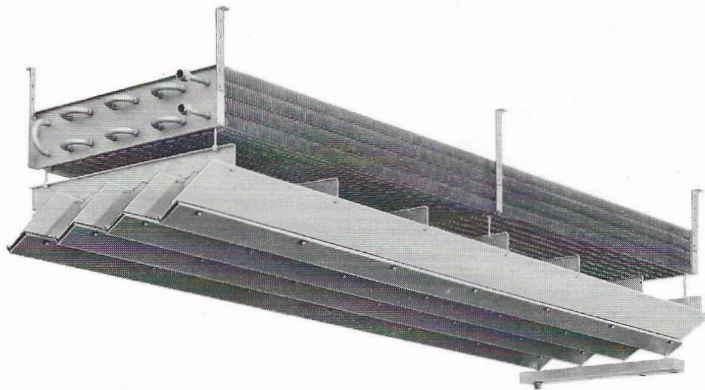


# RUSSELL

## COIL COMPANY

RUSSELL  
LOUVERED  
COOLERS

Unsurpassed for high humidity cooling requirements. Louvered baffles — made of smooth-surfaced, refrigeration-grade plastic — eliminate sweating. Construction allows excellent air circulation.



FOR FLORIST'S BOXES AND OTHER APPLICATIONS DEMANDING HIGH HUMIDITY CONDITIONS.

All coils manufactured from 5/8" OD copper tube on 3" centers, with aluminum fins spaced at 3/8". In and out connections are 1/2" FN.

TO ORDER, specify:

1. Model number
2. Tubes high and wide
3. Finned length

Overall heights of single row high louvered coolers, including 4" hanger, coil, louvers, drain and underdrain:

Finned Length	Front End	Drain End
0" - 48"	12 1/2"	13 1/2"
49" - 90"	12 1/2"	14 1/4"
91" - 112"	12 1/2"	15 1/2"

For two-row coil — add 3"

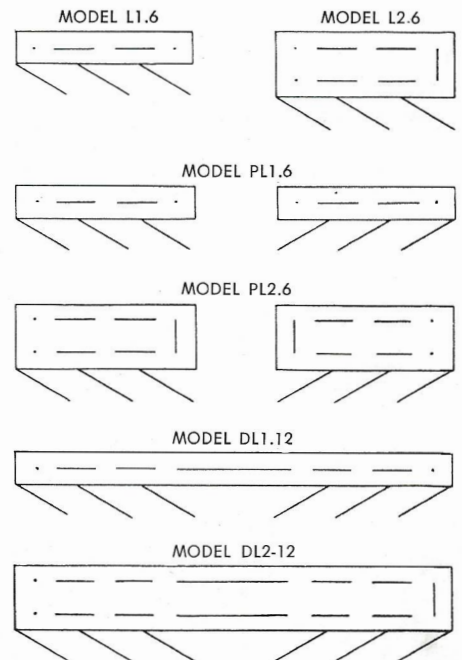
All models available in finned lengths to 112".  
Overall length = Finned length plus 7".

Model. No. Tubes High Tubes Wide	Overall Width	No. Tubes	Btu/Hr/Inch	
			1°	15°
L1.4	12"	4	1.38	20.70
L1.6	18"	6	2.05	30.75
L1.8	24"	8	2.75	41.25
L1.10	30"	10	3.42	51.30
L2.4	12"	8	2.48	37.20
L2.6	18"	12	3.68	55.20
L2.8	24"	16	4.92	73.80
L2.10	30"	20	6.14	92.10
PL1.4	12" Ea.	8	2.75	41.25
PL1.6	18" Ea.	12	4.10	61.50
PL1.8	24" Ea.	16	5.50	82.50
PL1.10	30" Ea.	20	6.84	102.60
PL2.4	12" Ea.	16	4.92	73.80
PL2.6	18" Ea.	24	7.36	110.40
PL2.8	24" Ea.	32	9.83	147.45
PL2.10	30" Ea.	40	12.27	184.05
DL1.8	28"	8	2.75	41.25
DL1.12	40"	12	4.10	61.50
DL1.16	52"	16	5.50	82.50
DL2.8	28"	16	4.92	73.80
DL2.12	40"	24	7.36	110.40
DL2.16	52"	32	9.83	147.45

NOTE: The "L" in the model number signifies louvered drain-pan construction. "PL" signifies a pair, or two separate matching louvered coils, with louvered sections slanted at opposing angles. "DL" signifies divided louvers; coil and pan are in one piece, but have louvered sections slanted at opposing angles.

The first figure in the model number denotes "tubes high"; the second figure "tubes wide".

### MODEL ILLUSTRATIONS



# RUSSELL

SALES COMPANY

## RUSSELL REFRIGERANT RECEIVERS

Capacities shown are based on 80% total volume, 86° F.

Dia. & Overall Length	Cap. - Lbs.		Total Vol. Cu. Ft.	Appr. Wgt.			
	F-12	F-22		300 Lbs.	400 Lbs.		
6-5/8" x	18"	18	16	.28		25	27
	24"	24	22	.37		32	34
	30"	30	28	.46		39	41
	36"	36	34	.55		46	48
	42"	42	40	.64		53	55
	48"	48	46	.73		60	62
8 5/8" x	18"	36	33	.55		34	37
	24"	47	43	.72		42	45
	30"	58	53	.89		50	53
	36"	69	63	1.06		58	61
	42"	80	73	1.23		66	69
	48"	91	83	1.40		74	77
	54"	102	93	1.57		82	85
	60"	113	103	1.74		90	93
10 3/4" x	18"	61	52	.94		46	55
	24"	79	68	1.22		60	69
	30"	97	84	1.50		74	83
	36"	115	100	1.72		88	97
	42"	133	116	1.94		102	111
	48"	151	132	2.22		116	125
	54"	169	148	2.50		130	139
	60"	187	164	2.78		144	153
	66"	205	180	3.06		158	167
	72"	223	196	3.34		172	181
12 3/4" x	24"	104	94	1.60		77	89
	30"	129	117	1.99		94	101
	36"	154	140	2.38		111	113
	42"	179	163	2.77		128	125
	48"	204	186	3.16		145	137
	54"	229	209	3.55		162	149
	60"	254	232	3.94		179	161
	66"	279	255	4.33		196	173
	72"	304	278	4.72		213	185
	84"	354	324	5.50		247	197
96"	404	370	6.28		281	209	
14" x	24"	117	107	1.82		97	110
	30"	148	136	2.31		115	128
	36"	179	165	2.80		133	146
	42"	210	194	3.29		152	165
	48"	241	223	3.78		171	184
	54"	272	252	4.27		190	203
	60"	303	281	4.76		209	222
	66"	334	310	5.25		228	241
	72"	365	339	5.74		247	260
	84"	427	397	6.72		285	298
96"	489	455	7.70		323	336	
16" x	36"	229	209	3.55		150	168
	42"	271	247	4.20		172	190
	48"	313	285	4.85		194	212
	54"	355	323	5.50		216	234
	60"	397	361	6.15		238	246
	66"	439	399	6.80		260	278
	72"	481	437	7.45		282	300
	84"	565	513	8.75		326	349
	96"	649	589	10.05		370	393
	108"	733	665	11.35		414	437
120"	817	741	12.65		458	481	
144"	985	893	15.25		546	592	

RUSSELL Freon receivers are designed and fabricated to comply with the requirements of the A.S.M.E. Code for unfired pressure vessels and we are authorized to apply appropriate Code symbols.

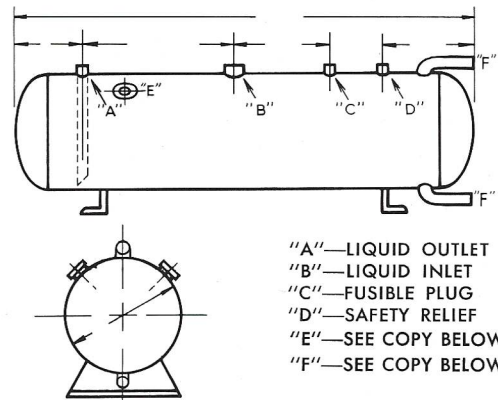
ALL RUSSELL Freon receivers are fabricated with SA:53:B seamless pipe and can be used with F-12, F-22 and F-502. List prices of all receivers are based on A.S.M.E. inspection. If code certification papers are required, see separate price sheet.

Multi-circuited Receivers available in 10 3/4", 12 3/4", 14" and 16" diameter sizes. See separate price sheet.

Working pressures standard Russell Freon receivers are 250 lbs. for F-12; 300 lbs. for F-22. Price List gives prices for Freon receivers for working pressures of 300 lbs. and 400 lbs. respectively. Receivers for higher working pressures are available. Prices quoted on request.

#### WHEN ORDERING:

1. Specify IN and OUT ("A" and "B") connection sizes.
2. If location of any of the connections is critical, submit with order a sketch similar to the one on this page, showing connection locations desired. Specify measurements in inches.



"A"—LIQUID OUTLET  
 "B"—LIQUID INLET  
 "C"—FUSIBLE PLUG  
 "D"—SAFETY RELIEF  
 "E"—SEE COPY BELOW  
 "F"—SEE COPY BELOW

RUSSELL Freon receivers can be supplied with two types of liquid level indicators. Type "E" is the PHILLIPS LEVEL EYE arrangement as shown on drawing. Type "F" is for gauge glass valves at no additional charge. We can furnish HENRY No. 5024 gauge sets or the HENRY No. 6024 gauge set. SEE SEPARATE PRICE SHEET FOR LIST PRICES.