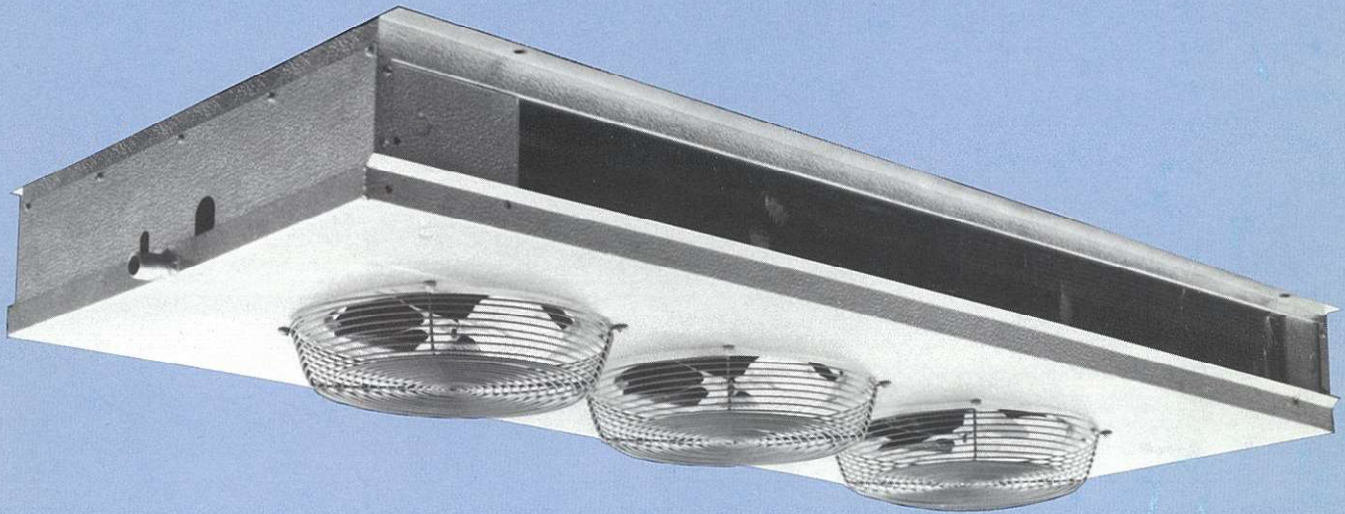


Extra Low Profile Unit Cooler

Technical Bulletin No. 119.2
June 1991



The Ceiling Temp unit cooler is designed for use in walk-in coolers and freezers with low headroom clearance. Typical applications would be convenience stores, supermarkets, restaurants and other cold storage requirements. With its low profile, it takes up less

headroom, allowing more product to be stored on the shelf. The dual airflow design allows the air to circulate evenly throughout the refrigerated space, providing constant temperature control.

Capacities

Air Defrost Models — 6,400 through 25,000 BTUH @ 10 Degree T.D.

Electric Defrost Models — 4,800 through 21,800 BTUH @ 10 Degree T.D.

Features

- Low profile, providing extra storage room.
- Flush to the ceiling mounting.
- Two way air flow for even air circulation and constant temperature control.
- UL listed and NSF approved.
- Hinged drain pan for easy service access and cleaning.
- Quiet operation and even air distribution.
- Ideal for use in boxes with glass display doors.
- Air or Electric defrost models.
- 40 models to fit the exact requirement.



Specifications

Air Defrost/Walk-in coolers 35 degrees and above

MODEL NUMBER	BTUH @ +25° S.T.		CFM	MOTOR AMPS		DEFR. WATTS	DEFROST AMPS	
	10° T.D.	15° T.D.		115/1	230/1		230/1	460/1
CTA 38-75	7500	11250	1455	3.3	1.7	NOT AVAILABLE IN ELECTRIC DEFROST		
CTA 38-88	8800	13200	1305	3.3	1.7			
CTA 38-98	9800	14700	1200	3.3	1.7			
CTA 48-112	11200	16800	2120	4.4	2.2			
CTA 48-130	13000	19500	1920	4.4	2.2			
CTA 48-150	15000	22500	1760	4.4	2.2			
CTA 58-162	16200	24300	2320	5.5	2.8			
CTA 48-210	21000	31500	1820	4.4	2.2			
CTA 58-230	23000	34500	2650	5.5	2.8			
CTA 68-250	25000	37500	2970	6.6	3.3			
CTA 36-64	6400	9600	1560	3.3	1.7			
CTA 36-82	8200	12300	1425	3.3	1.7			
CTA 36-93	9300	13950	1305	3.3	1.7			
CTA 46-100	10000	15000	2160	4.4	2.2			
CTA 46-123	12300	18450	2040	4.4	2.2			
CTA 46-140	14000	21000	1920	4.4	2.2			
CTA 56-157	15700	23550	2360	5.5	2.8			
CTA 46-190	19000	28500	1940	4.4	2.2			
CTA 56-208	20800	31200	2850	5.5	2.8			
CTA 66-232	23200	34800	3150	6.6	3.3			

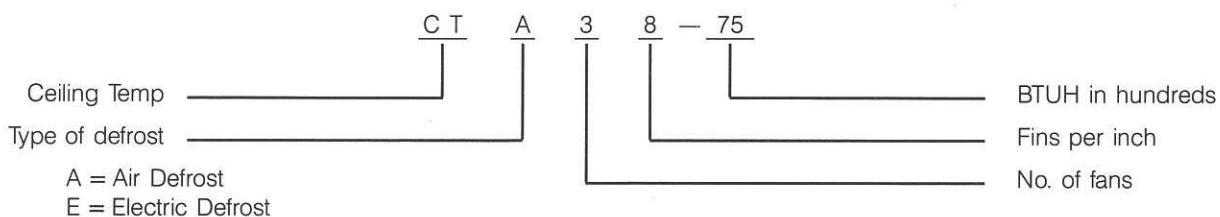
Standard voltage supplied on CTA models is 115/1/60.

Electric Defrost/Walk-in freezers below 34 degrees

MODEL NUMBER	BTUH @ 10° T.D.		CFM	MOTOR AMPS		DEFR. WATTS	DEFROST AMPS	
	-20° S.T.	-10° S.T.		115/1	230/1		230/1	460/1
CTE 36-53	5300	5500	1440	3.3	1.7	2070	9.0	4.5
CTE 36-62	6200	6500	1290	3.3	1.7	2070	9.0	4.5
CTE 36-69	6900	7200	1245	3.3	1.7	2070	9.0	4.5
CTE 46-77	7700	8100	2075	4.4	2.2	2990	13.0	6.5
CTE 46-90	9000	9400	1860	4.4	2.2	2990	13.0	6.5
CTE 46-100	10000	10500	1740	4.4	2.2	2990	13.0	6.5
CTE 56-125	12500	13100	2160	5.5	2.8	3910	17.0	8.5
CTE 46-140	14000	14700	1820	4.4	2.2	3910	17.0	8.5
CTE 56-160	16000	16800	2550	5.5	2.8	3910	17.0	8.5
CTE 66-218	21800	22900	3000	6.6	3.3	3910	17.0	8.5
CTE 34-48	4800	5000	1500	3.3	1.7	2070	9.0	4.5
CTE 34-58	5800	6100	1395	3.3	1.7	2070	9.0	4.5
CTE 34-65	6500	6800	1350	3.3	1.7	2070	9.0	4.5
CTE 44-72	7200	7500	2120	4.4	2.2	2990	13.0	6.5
CTE 44-84	8400	8800	1980	4.4	2.2	2990	13.0	6.5
CTE 44-95	9500	9900	1900	4.4	2.2	2990	13.0	6.0
CTE 54-115	11500	12000	2280	5.5	2.8	3910	17.0	8.5
CTE 44-128	12800	13400	1940	4.4	2.2	3910	17.0	8.5
CTE 54-145	14500	15200	2650	5.5	2.8	3910	17.0	8.5
CTE 64-173	17300	18100	3080	6.6	3.3	3910	17.0	8.5

Standard voltage supplied on CTE models is 208/230/1/60.

Model Numbering System



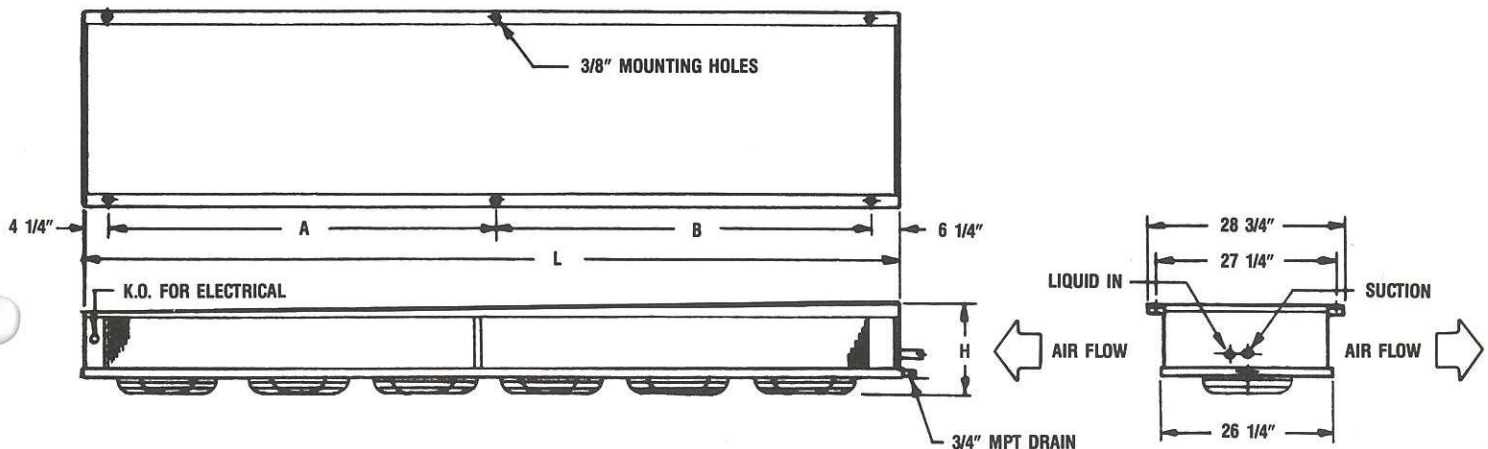
Dimensions

Air Defrost Models

MODEL NUMBER	L	W	H	MTG HOLES		TXV TYPE	LIQ (F.N.)	SUCT. (ODS)	WT. (LBS)
				A	B				
CTA 38-75	58.5"	28.75"	8.00"	48"	—	INT	1/2"	5/8"	95
CTA 38-88	58.5	28.75	8.00	48	—	INT	1/2	5/8	100
CTA 38-98	58.5	28.75	8.00	48	—	INT	1/2	5/8	105
CTA 48-112	82.5	28.75	8.75	36	36	EXT	1/2	7/8	125
CTA 48-130	82.5	28.75	8.75	36	36	EXT	1/2	7/8	130
CTA 48-150	82.5	28.75	8.75	36	36	EXT	1/2	7/8	135
CTA 58-162	106.5	28.75	8.75	48	48	EXT	1/2	7/8	150
CTA 48-210	106.5	28.75	10.25	48	48	EXT	1/2	7/8	155
CTA 58-230	106.5	28.75	10.25	48	48	EXT	1/2	7/8	165
CTA 68-250	106.5	28.75	10.25	48	48	EXT	1/2	1-1/8	185
CTA 36-64	58.5	28.75	8.00	48	—	INT	1/2	5/8	90
CTA 36-82	58.5	28.75	8.00	48	—	INT	1/2	5/8	95
CTA 36-93	58.5	28.75	8.00	48	—	INT	1/2	5/8	100
CTA 46-100	82.5	28.75	8.75	36	36	EXT	1/2	7/8	120
CTA 46-123	82.5	28.75	8.75	36	36	EXT	1/2	7/8	125
CTA 46-140	82.5	28.75	8.75	36	36	EXT	1/2	7/8	130
CTA 56-157	106.5	28.75	8.75	48	48	EXT	1/2	7/8	145
CTA 46-190	106.5	28.75	10.25	48	48	EXT	1/2	7/8	150
CTA 56-208	106.5	28.75	10.25	48	48	EXT	1/2	7/8	160
CTA 66-232	106.5	28.75	10.25	48	48	EXT	1/2	1-1/8	180

Electric Defrost Models

CTE 36-53	58.5	28.75	8.00	48	—	INT	1/2	5/8	95
CTE 36-62	58.5	28.75	8.00	48	—	INT	1/2	5/8	100
CTE 36-69	58.5	28.75	8.00	48	—	EXT	1/2	5/8	105
CTE 46-77	82.5	28.75	8.75	36	36	EXT	1/2	7/8	125
CTE 46-90	82.5	28.75	8.75	36	36	EXT	1/2	7/8	130
CTE 46-100	82.5	28.75	8.75	36	36	EXT	1/2	7/8	135
CTE 56-125	106.5	28.75	8.75	48	48	EXT	1/2	7/8	150
CTE 46-140	106.5	28.75	10.25	48	48	EXT	1/2	7/8	155
CTE 56-160	106.5	28.75	10.25	48	48	EXT	1/2	7/8	165
CTE 66-218	106.5	28.75	10.25	48	48	EXT	1/2	1-1/8	185
CTE 34-48	58.5	28.75	8.00	48	—	INT	1/2	5/8	90
CTE 34-58	58.5	28.75	8.00	48	—	INT	1/2	5/8	95
CTE 34-65	58.5	28.75	8.00	48	—	EXT	1/2	5/8	100
CTE 44-72	82.5	28.75	8.75	36	36	EXT	1/2	7/8	120
CTE 44-84	82.5	28.75	8.75	36	36	EXT	1/2	7/8	125
CTE 44-95	82.5	28.75	8.75	36	36	EXT	1/2	7/8	130
CTE 54-115	106.5	28.75	8.75	48	48	EXT	1/2	7/8	145
CTE 44-128	106.5	28.75	10.25	48	48	EXT	1/2	7/8	150
CTE 54-145	106.5	28.75	10.25	48	48	EXT	1/2	7/8	160
CTE 64-173	106.5	28.75	10.25	48	48	EXT	1/2	1-1/8	180





YUMA, ARIZONA, MANUFACTURING FACILITY



BREA, CALIFORNIA, EXECUTIVE OFFICES AND MANUFACTURING FACILITY