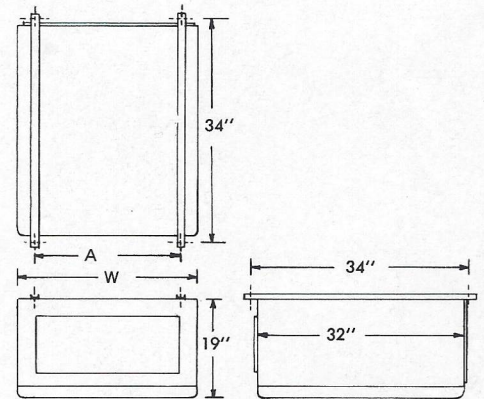
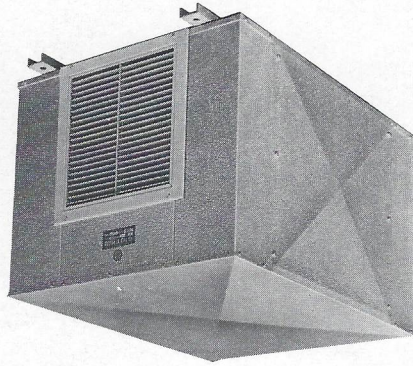
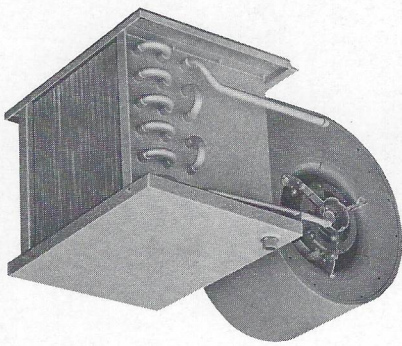


# RUSSELL

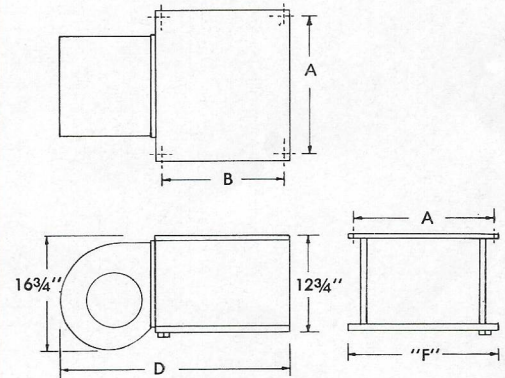
COIL COMPANY

RUSSELL  
MIDGET  
COMFORT  
COOLERS



### WATER COOLING & HEATING CAPACITIES

MODEL	CFM	H <sub>2</sub> O COOLING 45° ENT. H <sub>2</sub> O 80° D.B. 67° W.B. ENT. AIR				H <sub>2</sub> O HEATING 180° ENT. H <sub>2</sub> O 60° ENT. AIR		
		BTU/HR	GPM	LV. D. B.	LV. W. B.	BTU/HR	GPM	LV. D. B.
MC-123	500	12,250	3.1	63.3°	59.8°	37,000	3.7	128°
124	500	16,000	4.0	59.9°	57.1°	43,600	4.4	140°
126	500	21,250	5.4	54.6°	53.3°	51,200	5.2	154°
184	750	24,200	6.1	59.7°	56.9°	65,300	6.5	140°
186	750	31,000	7.8	54.5°	53.2°	77,000	7.7	154°
244	1000	32,500	8.2	59.7°	56.9°	87,000	8.7	140°
246	1000	42,300	10.6	54.7°	53.4°	106,000	10.6	154°
304	1250	41,000	10.3	59.7°	56.9°	109,000	10.9	140°
306	1250	53,500	13.4	54.5°	53.2°	134,000	13.4	154°
364	1500	49,500	12.4	59.7°	56.9°	131,000	13.1	140°
366	1500	64,000	16.0	54.5°	53.2°	160,000	16.0	154°



### GENERAL DATA

Model	FAN MOTOR H.P.	WATER CONNS. IN & OUT	DX CONNECTIONS		DIMENSIONS					FILTER SIZE
			SUCT.	LIQUID	"A"	"B"	"D"	"W"	"F"	
M-123	1/10	5/8"OD	5/8"OD	1/2"FN	17"	11"	27"	22"	18"	16x20x1
124	1/10	7/8"OD	5/8"OD	1/2"FN	17"	11"	27"	22"	18"	16x20x1
126	1/10	1-1/8"OD	7/8"OD	5/8"OD	17"	15"	31"	22"	18"	16x20x1
184	1/10	7/8"OD	7/8"OD	5/8"OD	23"	11"	27"	30"	24"	16x20x1
186	1/10	1-1/8"OD	1-1/8"OD	7/8"OD	23"	15"	31"	30"	24"	16x20x1
244	2-1/10	1-1/8"OD	1-1/8"OD	7/8"OD	29"	11"	27"	36"	30"	16x20x1
246	2-1/10	1-5/8"OD	1-1/8"OD	7/8"OD	29"	15"	31"	36"	30"	16x20x1
304	2-1/10	1-3/8"OD	1-1/8"OD	7/8"OD	35"	11"	27"	42"	36"	16x25x1
306	2-1/10	1-5/8"OD	1-5/8"OD	7/8"OD	35"	15"	31"	42"	36"	16x25x1
364	2-1/10	1-5/8"OD	1-3/8"OD	7/8"OD	41"	11"	27"	48"	42"	2-16x20x1
366	2-1/10	1-5/8"OD	1-5/8"OD	7/8"OD	41"	15"	31"	48"	42"	2-16x20x1

### COOLING R-12

MODEL	CFM	40° REFRIGERANT 80° D.B. 67° W.B. ENT. AIR		
		BTU/HR	LV. D. B.	LV. W. B.
MC-123	500	13,200	62.5°	59.0°
124	500	16,300	59.6°	56.8°
126	500	21,600	54.3°	53.0°
184	750	24,450	59.6°	56.8°
186	750	32,400	54.3°	53.0°
244	1000	32,600	59.6°	56.8°
246	1000	43,200	54.3°	53.0°
304	1250	40,750	59.6°	56.8°
306	1250	54,000	54.3°	53.0°
364	1500	48,900	59.6°	56.8°
366	1500	64,800	54.3°	53.0°

RUSSELL COIL COMPANY, 11711 EAST SLAUSON AVE., SANTA FE SPRINGS, CALIF. · OX 3-7751 · RA 3-4519