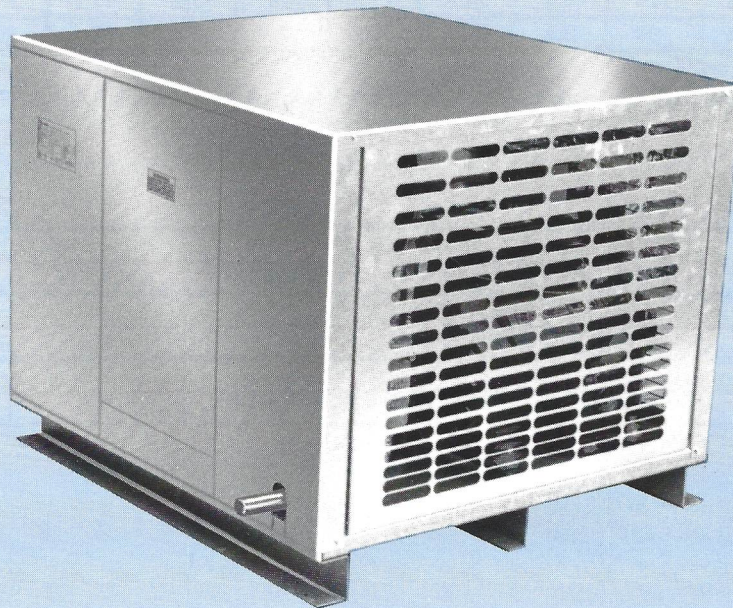


**AIR COOLED  
CONDENSING UNITS  
FEATURING COPELAND  
GLACIER SCROLL  
COMPRESSORS  
4 & 5 H.P., R-404A/507**

*Bulletin No.: 505.0  
March 1995*



Russell introduces its new line of 4 and 5 HP air cooled condensing units using Copeland's Scroll compressors. Because of the Scroll compressor's unique and inovative design, the Russell Minicon line of condensing units, are light in weight, and very reliable when compared to similar units using reciprocating compressors. Noise generated by the condensing unit is also reduced as a result of the use of the scroll compressor and Russell's heavy duty construction.



**PERFORMANCE @ 95° AMBIENT**

MODEL *MCO/MEO	REF. TYPE	NOM. H.P.	CAPACITY (BTUH) AT SUCTION TEMPERATURE (F)							
			35°	30°	25°	20°	15°	10°	-5°	0°
400M44	404A	4	44000	39800	35700	32200	28650	25500	22650	18100
500M44	404A	5	52500	47900	42850	39000	34950	31600	28350	22450

MODEL *MCO/MEO	REF. TYPE	NOM. H.P.	CAPACITY (BTUH) AT SUCTION TEMPERATURE (F)							
			0°	-5°	-10°	-15°	-20°	-25°	-30°	-40°
400L44	404A	4	22300	20100	17850	16000	14150	12500	11000	8600
500L44	404A	5	26350	23750	21200	19000	16850	15000	13200	10100

**ELECTRICAL DATA**

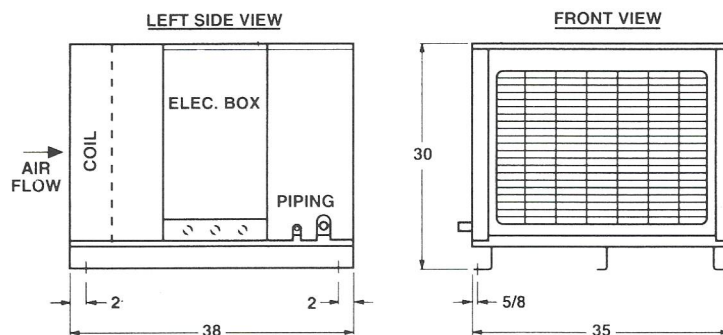
MODEL NUMBER *MCO/MEO	COMP. MODEL NUMBER	AMPS @ 230/1/60				AMPS @ 208/230/3/60				AMPS @ 460/3/60			
		COMPRESSOR		COND	TOTAL	COMPRESSOR		COND	TOTAL	COMPRESSOR		COND	TOTAL
		RLA	LRA	FLA	UNIT**	RLA	LRA	FLA	UNIT**	RLA	LRA	FLA	UNIT**
400M44	ZS30K3E	24.1	129	3.2	28.3	13.5	99	3.2	17.7	5.7	49.5	1.3	7.5
500M44	ZF13K3E	28.5	169	3.2	32.7	19.2	123	3.2	23.4	8.6	62	1.3	10.4
400L44	ZS38K3E	24.1	129	3.2	28.3	13.5	99	3.2	17.7	5.7	49.5	1.3	7.5
500L44	ZF15K3E	28.5	169	3.2	32.7	19.2	123	3.2	23.4	8.6	62	1.3	10.4

\* MCO = Outdoor style, MEO = Indoor style.

\*\* Total Unit Amps includes approximate allowance for control circuit as follows: 1A - 208/230V; 0.5A - 460V.

**PHYSICAL DATA**

MODEL *MCO/MEO	RECVR. CAP. @ 90% (LBS)	CONNECTIONS (ODS)		SHIP WT. (LBS.)	
		LIQUID	SUCTION	INDOOR	OUTDOOR
400M44	24.5	1/2	1-1/8	370	400
500M44	24.5	1/2	1-1/8	385	415
400L44	24.5	1/2	1-1/8	375	405
500L44	24.5	1/2	1-1/8	390	420



NOTE: Overall dimensions for indoor Models are the same as the Outdoor Models.