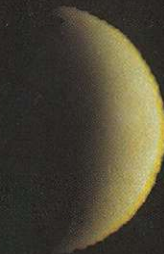
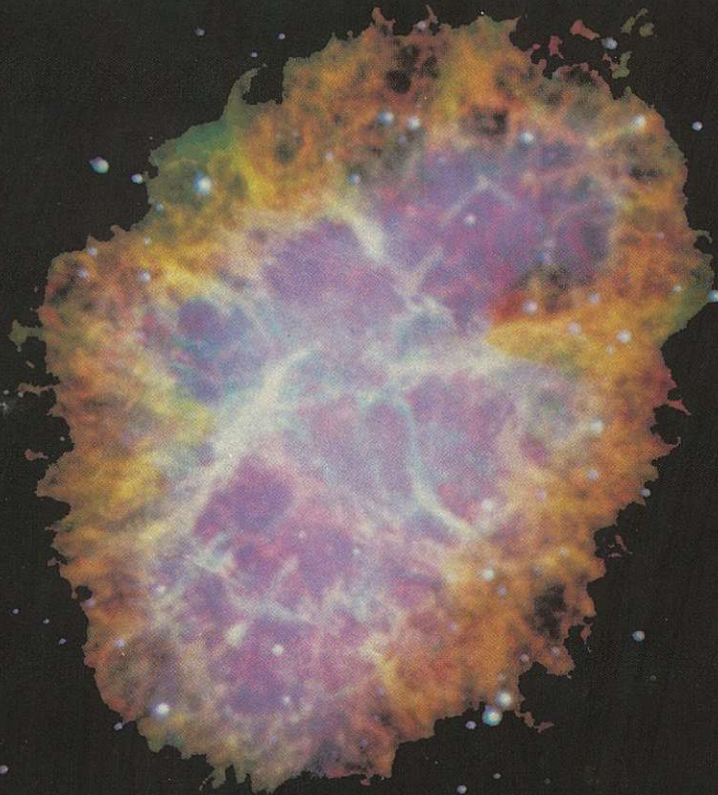
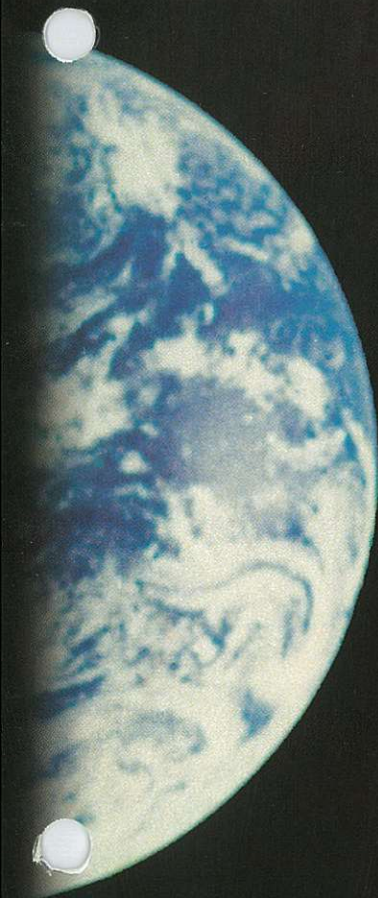


Russell

NAVIGATORTM *by RUSSELL*

THE FUTURE OF ELECTRONIC REFRIGERATION CONTROL



NAVIGATOR by Russell is the state-of-the-art in electronic refrigeration control.

All **NAVIGATOR** components are factory installed within the unit cooler. **NAVIGATOR** is easy to operate and works with any condensing unit*. **NAVIGATOR** offers unequalled convenience, flexibility and both installation and operating savings.

	NAVIGATOR	STANDARD SYSTEM
1. Expansion Valve Provided?	YES	NO
NAVIGATOR SAVES TIME & COST	YES	NO — User must purchase TXV.
NAVIGATOR SAVES TIME, COST & LABOR	YES	NO — User must install TXV.
NAVIGATOR SAVES TIME, COST & LABOR	YES	NO — User must adjust TXV.
2. Liquid Line Solenoid valve required?	NO	YES — ADDITIONAL EXPENSES
NAVIGATOR SAVES TIME & COST	YES	NO — User must purchase.
NAVIGATOR SAVES TIME, COST & LABOR	YES	NO — User must install.
NAVIGATOR SAVES TIME, COST & LABOR	YES	NO — User must wire.
3. Room Thermostat required?	NO	YES — ADDITIONAL EXPENSES
NAVIGATOR SAVES TIME & COST	YES	NO — User must purchase.
NAVIGATOR SAVES TIME, COST & LABOR	YES	NO — User must install.
NAVIGATOR SAVES TIME, COST & LABOR	YES	NO — User must wire.

FOR ELECTRIC DEFROST SYSTEMS ONLY

4. Defrost time clock required?	NO	YES — ADDITIONAL EXPENSES
NAVIGATOR SAVES TIME & COST	YES	NO — User must purchase.
NAVIGATOR SAVES TIME, COST & LABOR	YES	NO — User must install.
NAVIGATOR SAVES TIME, COST & LABOR	YES	NO — User must wire.
5. Field wiring between the condensing unit and the coil?	NO	YES — ADDITIONAL EXPENSES
NAVIGATOR SAVES TIME, COST & LABOR	YES	NO — User must install & wire.

CONCLUSION: NAVIGATOR's installed cost is substantially lower than conventional systems

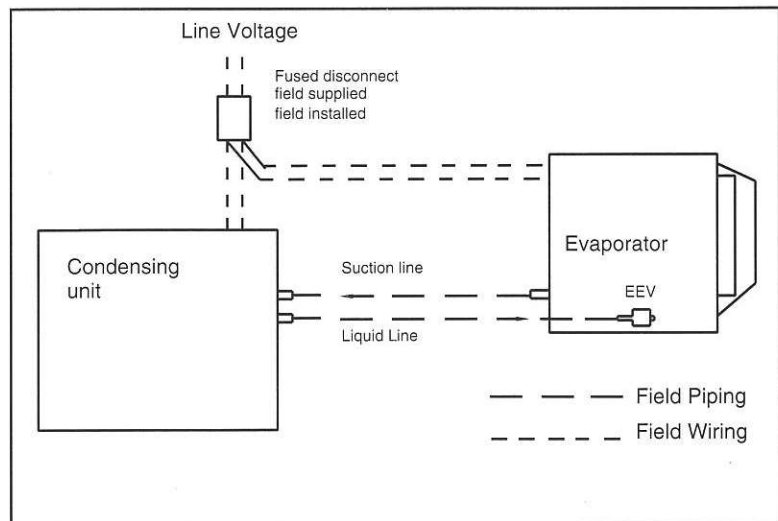
NAVIGATOR by RUSSELL

Available for

- up to 4 unit coolers per system.
- systems up to 5 HP
- 115V, 208/1, 230/1, 460/1 operation

*Requires low pressure control for pump-down

TYPICAL INSTALLATION REQUIREMENTS





NAVIGATOR by RUSSELL

- Factory mounted components for maximum cost savings and reliability
- For use on systems 5 HP and smaller
- Controls up to 4 unit coolers per compressor.
- Use with any condensing unit*.
- Optional remote display panel
- Optional windows based software control
- Automatic superheat adjustments in response to sensor readings improves system performance
- Alarm notification for up to 10 different potential faults
- Easy to read LED display (no Flashing Lights)

*Requires low pressure control for pump-down.

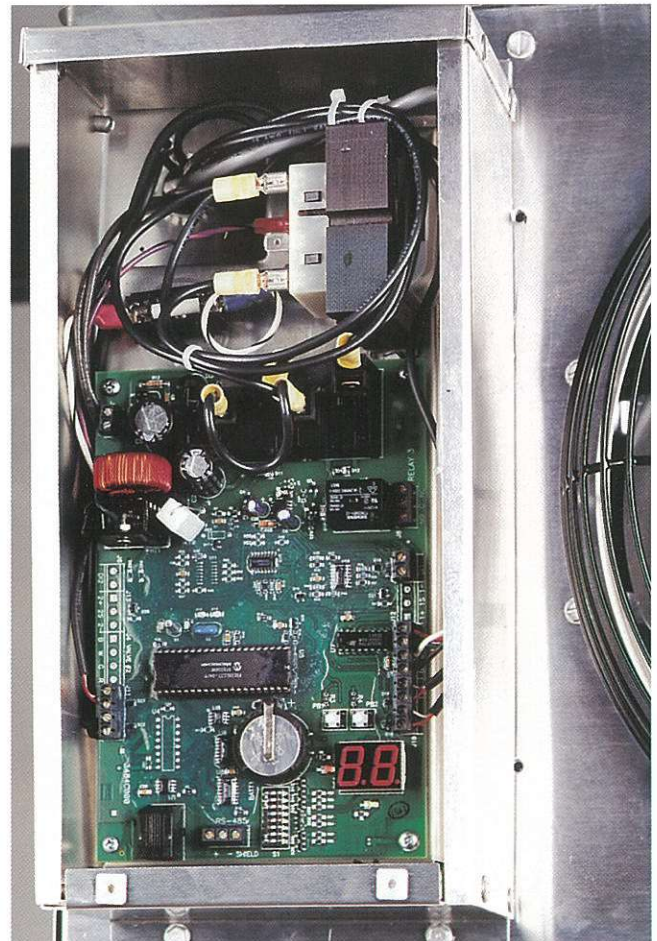
NAVIGATOR by RUSSELL

ELIMINATES the need for:

- Standard Expansion Valves
- Liquid line Solenoid valve
- Defrost Time Clock
- Heater contactor
- Evap fan contactor
- Defrost Termination control
- Evap Fan delay control

FACTORY INSTALLED COMPONENTS

- NAVIGATOR control panel w/ easy to read digital display
- Solid state temperature sensors (4 per evaporator)
- Electronic expansion valve (1 per evaporator)



NAVIGATOR^{by} RUSSELL

STATE-OF-THE-ART REFRIGERATION CONTROL

NAVIGATOR is the state-of-the-art when it comes to refrigeration control.

NAVIGATOR satisfies the need for a **dependable** electronic control system.

NAVIGATOR is **quick to install, easy to use** and **reliable to operate**.

NAVIGATOR's installed cost is substantially lower than conventional systems

- **SAVES \$\$\$\$**

FACTORY INSTALLED COMPONENTS SAVE INSTALLATION TIME AND MONEY!

Less out of pocket \$\$\$ for labor and material.

Runs the system at it's highest efficiency, saving energy and money!

NO SPECIAL PIPING REQUIRED!

- **EASY TO USE • factory mounted at each unit cooler**

NO WIRING BETWEEN THE UNIT COOLER AND CONDENSING UNIT!

Factory set with simple adjustments (if desired) with clear step by step instructions

Large, easy to read digital display of temperature and set-points

- **EXTREMELY FLEXIBLE**

USE WITH ANY CONDENSING UNIT*

For freezers or coolers (-20°F up to +55°F room temp)

1 to 4 unit coolers per condensing unit

Optional remote digital display panel

Optional Windows based computer access software for PC

- **RELIABLE DIGITAL CONTROL**

BACK-UP BATTERY RETAINS PROGRAM SETTINGS IN CASE OF POWER FAILURE

24 hour clock maintains real time, does not clear settings when main power returns

Alarm relay for built in and/or remote alarm notification

Alarm diagnostic read-out via digital display (**no flashing lights to count**)

- **MULTI-STEP ELECTRONIC EXPANSION VALVE**

PRECISE EVAPORATOR SUPERHEAT CONTROL

Positive liquid line shut-off by means of Electronic Expansion Valve

*Requires low pressure control for pump-down.



Russell

221 S. Berry St. Brea Ca. 92822-1030

Tel: (714) 529-1935

Fax: (714) 529-7203

1/99