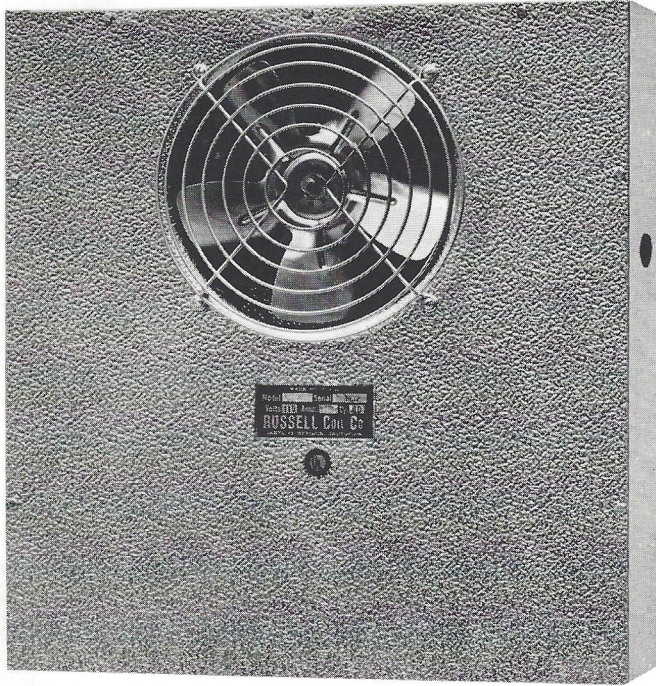


RUSSELL

COIL COMPANY

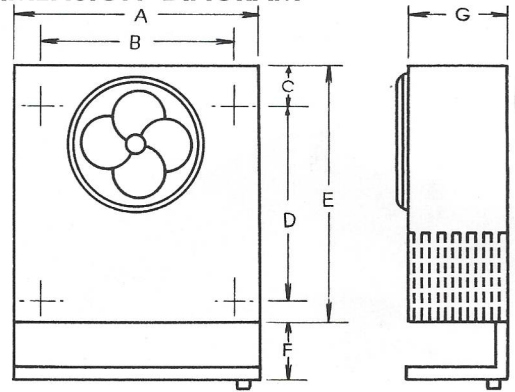
RUSSELL
PANEL
COOLERS



For beverage boxes, reach-ins and other installations where limited space requires a wall-mounted coil of minimum depth.

NOTE: Housing construction all aluminum. Front panel detachable for quick, easy access to valve, motor and fan, and for mounting to wall through back panel.

DIMENSION DIAGRAM



Add for Drain Pan.....List 12.00

DIMENSIONS

Model	A	B	C	D	E	F	G
PC-6	12"	9½"	2½"	14½"	17½"	3¾"	4¾"
PC-9	12"	9½"	2½"	14½"	17½"	3¾"	4¾"
PC-12	18"	14½"	2½"	16½"	19½"	3¾"	4¾"
PC-18	18"	14½"	2½"	16½"	19½"	3¾"	4¾"
PC-25	18"	14"	2½"	21"	24"	5"	8½"
PC-35	18"	14"	2½"	21"	24"	5"	8½"
PC-45	18"	14"	2½"	22½"	25½"	6⅝"	10½"

CONNECTION SIZES

Model	Liquid Conn.	Suct. Conn.	Drain Outlet
PC-6	¾" FN	¾" MF	½" FP
PC-9	¾" FN	¾" MF	½" FP
PC-12	½" FN	½" MF	½" FP
PC-18	½" FN	½" MF	½" FP
PC-25	½" FN	⅝" MF	½" FP
PC-35	½" FN	⅝" MF	½" FP
PC-45	½" FN	⅝" MF	½" FP

SPECIFICATIONS

MODEL	BTU/HR. RATING F-12		Total Surface FT. ²	Tube O.D.	FAN AND MOTOR			
	10° T.D.	15° T.D.			Fan Dia.	Motor H.P.	RPM	CFM
PC-6	600	900	16.2	¾"	8"	1/180	1500	115
PC-9	900	1350	22.7	¾"	8"	1/80	1500	140
PC-12	1200	1800	35.2	½"	8"	1/80	1500	175
PC-18	1800	2700	52.9	½"	8"	1/80	1500	260
PC-25	2500	3750	83.4	⅝"	10"	1/30	1500	360
PC-35	3500	5250	104.3	⅝"	10"	1/30	1500	500
PC-45	4500	6750	130.3	⅝"	12"	1/12	1050	625

RUSSELL COIL COMPANY • 11711 EAST SLAUSON AVE. • SANTA FE SPRINGS, CALIF. • OX 3-7751 • RA 3-4519