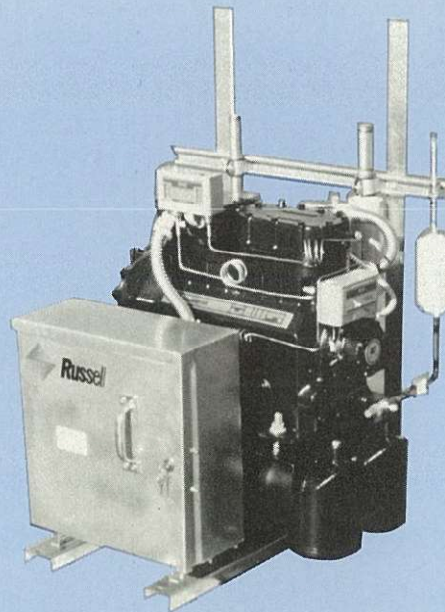


# Remote Compressor Unit

## 3 thru 15 H.P.

Bulletin No. 535  
September 1990



The RND Indoor Compressor unit is for use in commercial and industrial applications requiring a remote condenser location. It features the high efficiency Copeland Discus compressor and can be manufactured with a complete range of factory installed options. A large liquid receiver is provided with inlet and outlet isolation valves for pumpdown. The air cooled or evaporative condenser, unit coolers and all other accessories necessary to complete the system are available as a pre-engineered package. Consult the factory for details..

### **Standard Features**

- Semi-hermetic Copeland Discus Compressor
- Contactor Box
- Compressor Contactor with NEMA 1 Encl.
- Cylinder Head cooling fan (when req'd)
- Receiver with isolation valves
- High-Low Pressure Control
- Oil failure switch (when req'd)
- Discharge vibration absorber

### **Optional Features**

- Liquid line components
- Suction line components
- Crankcase heater
- Electric defrost provisions
- Air defrost timer
- Fused disconnect
- Large electrical control panel
- Compressor size up to 80 H.P. (Consult Factory)

## Performance Specifications / Electrical Data

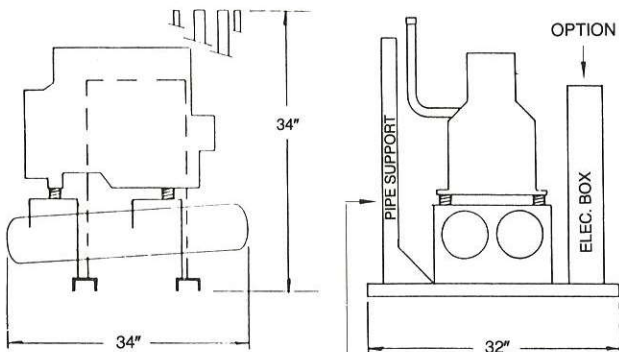
Model No. RND	Refrig. Type	Suction Temp (°F) BTUH (1)		Compressor Model No.	230/3/60 Compressor		460/3/60 Compressor	
		+25	-20		RLA	LRA	RLA	LRA
		3L52	502		—	19,300	2DF - 0300	16.8
5M52	502	51,700	—	2DD - 0500	22.3	120.0	10.5	60.0
5H22	22	50,500	—	2DD - 0500	22.3	120.0	10.5	60.0
5L52	502	—	25,200	2DA - 0600	28.8	161.0	10.2	60.0
6L52	502	—	29,900	3DA - 0600	26.5	150.0	12.0	77.0
7M52	502	73,700	—	2DA - 0750	32.0	169.0	14.1	85.0
7H22	22	72,000	—	2DA - 0750	32.0	169.0	14.1	85.0
8M52	502	88,300	—	3DA - 0750	41.0	215.0	20.0	106.0
8H22	22	91,900	—	3DA - 0750	41.0	215.0	20.0	106.0
8L52	502	—	36,600	3DB - 0750	31.5	161.0	16.1	83.0
9L52	502	—	43,300	3DF - 0900	39.0	215.0	16.9	106.0
10M52	502	105,000	—	3DB - 1000	43.6	215.0	20.0	106.0
10H22	22	108,000	—	3DB - 1000	43.6	215.0	20.0	106.0
10L52	502	—	48,400	3DS - 1000	42.0	215.0	18.6	106.0
15M52	502	140,000	—	3DS - 1500	59.6	275.0	29.0	138.0
15H22	22	138,000	—	3DS - 1500	59.6	275.0	29.0	138.0
15L52	502	—	66,500	4DL - 1500	60.0	278.0	30.0	139.0

(1) Based on 110° condensing temperature

## Dimensional Data

### 3 - 8 H.P.

ADD 8" FOR HEAD FAN  
LOW-TEMP ONLY



STANDARD WHEN YOU ORDER PIPING COMPONENTS.

### 9 - 15 H.P.

ADD 8" FOR HEAD FAN  
LOW-TEMP ONLY

